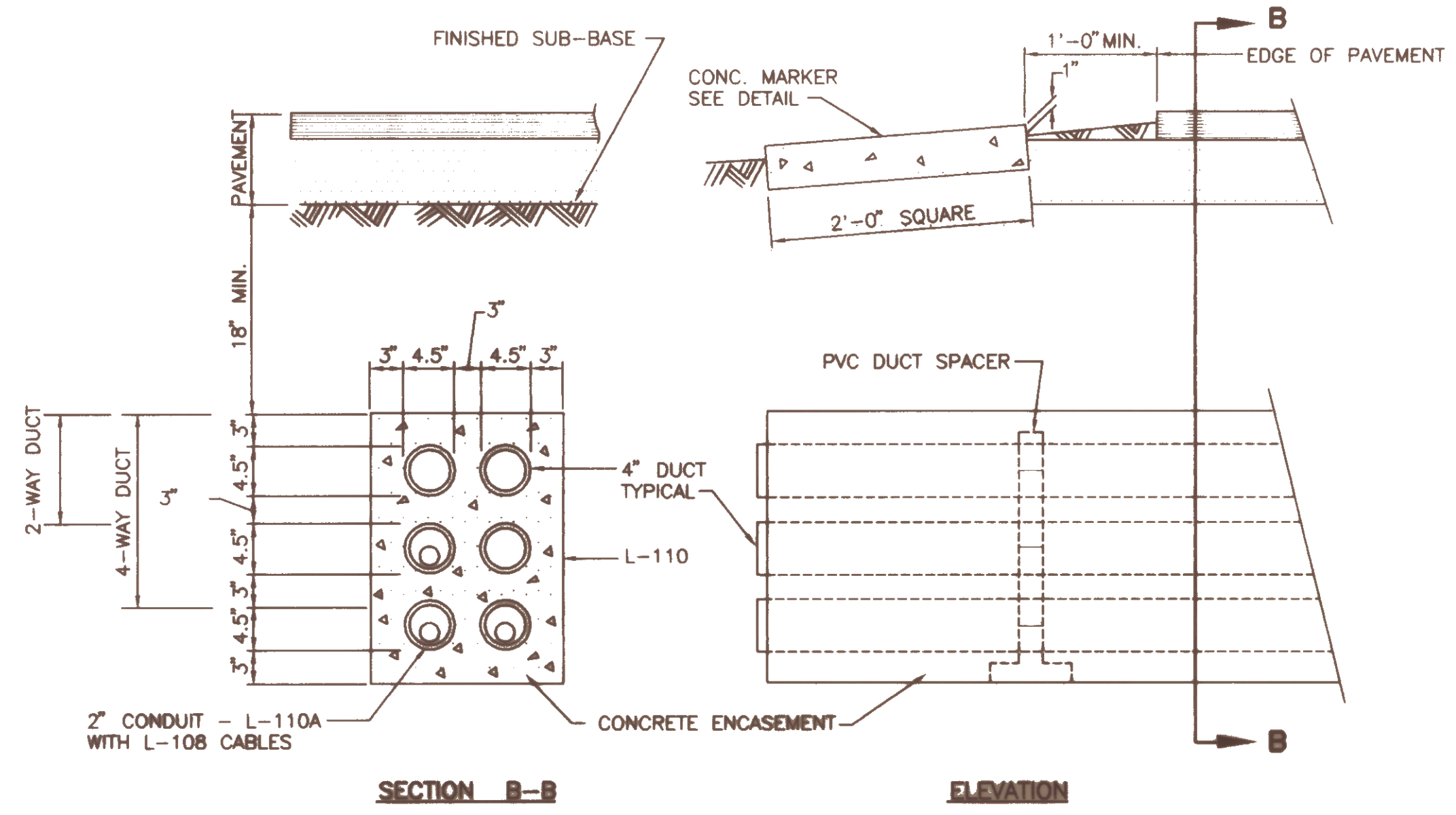
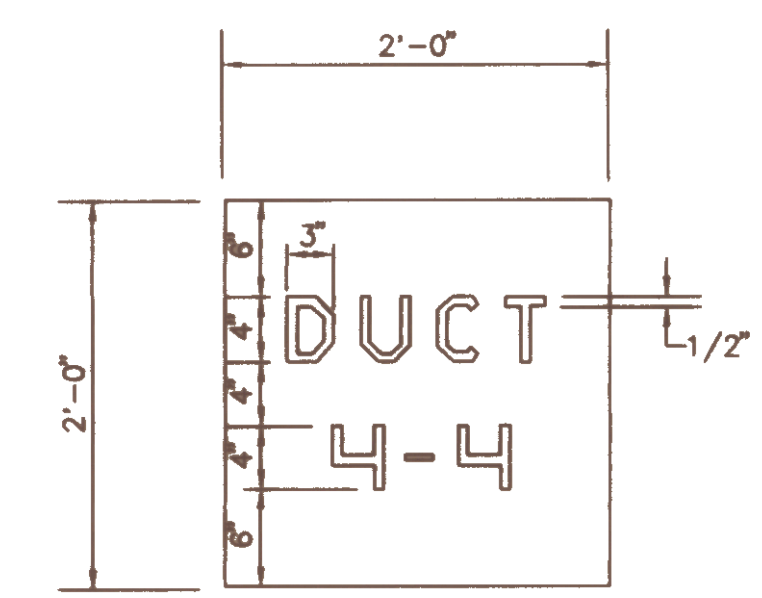


NOTE:  
 1. SLOPE DUCTS 3"/100 FT. FOR DRAINAGE  
 2. PROVIDE FULL NYLON PULL WIRES

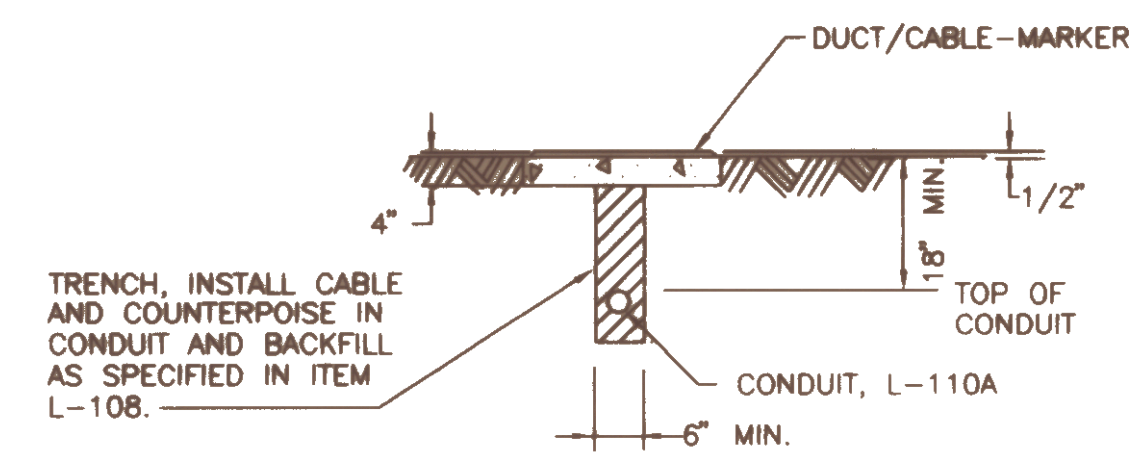


**DUCT (6-WAY) AND CONCRETE MARKER DETAILS**  
 NOT TO SCALE

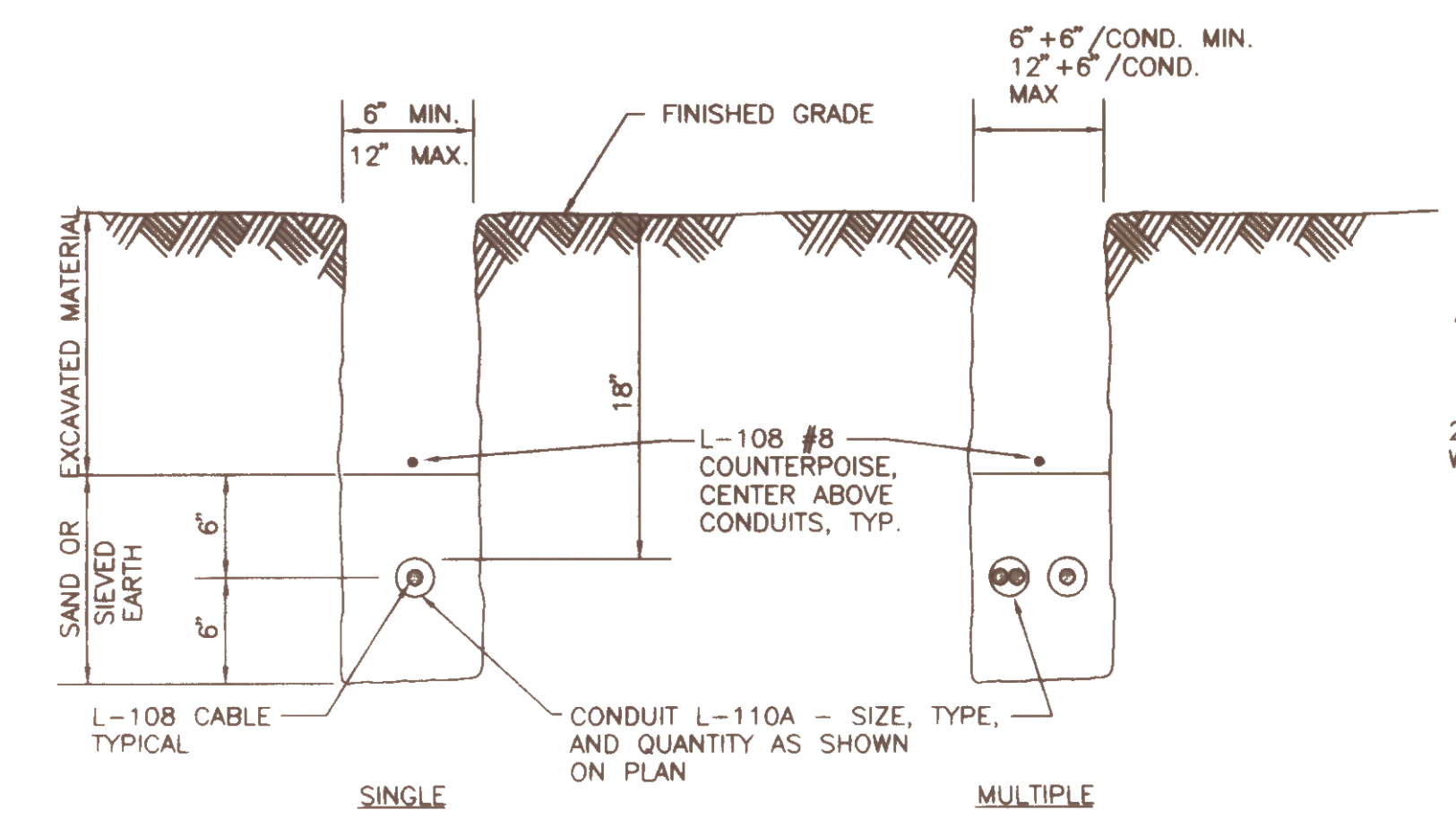
NOTE:  
 PROVIDE PVC DUCT SPACERS AT 5'-0" ON CENTER



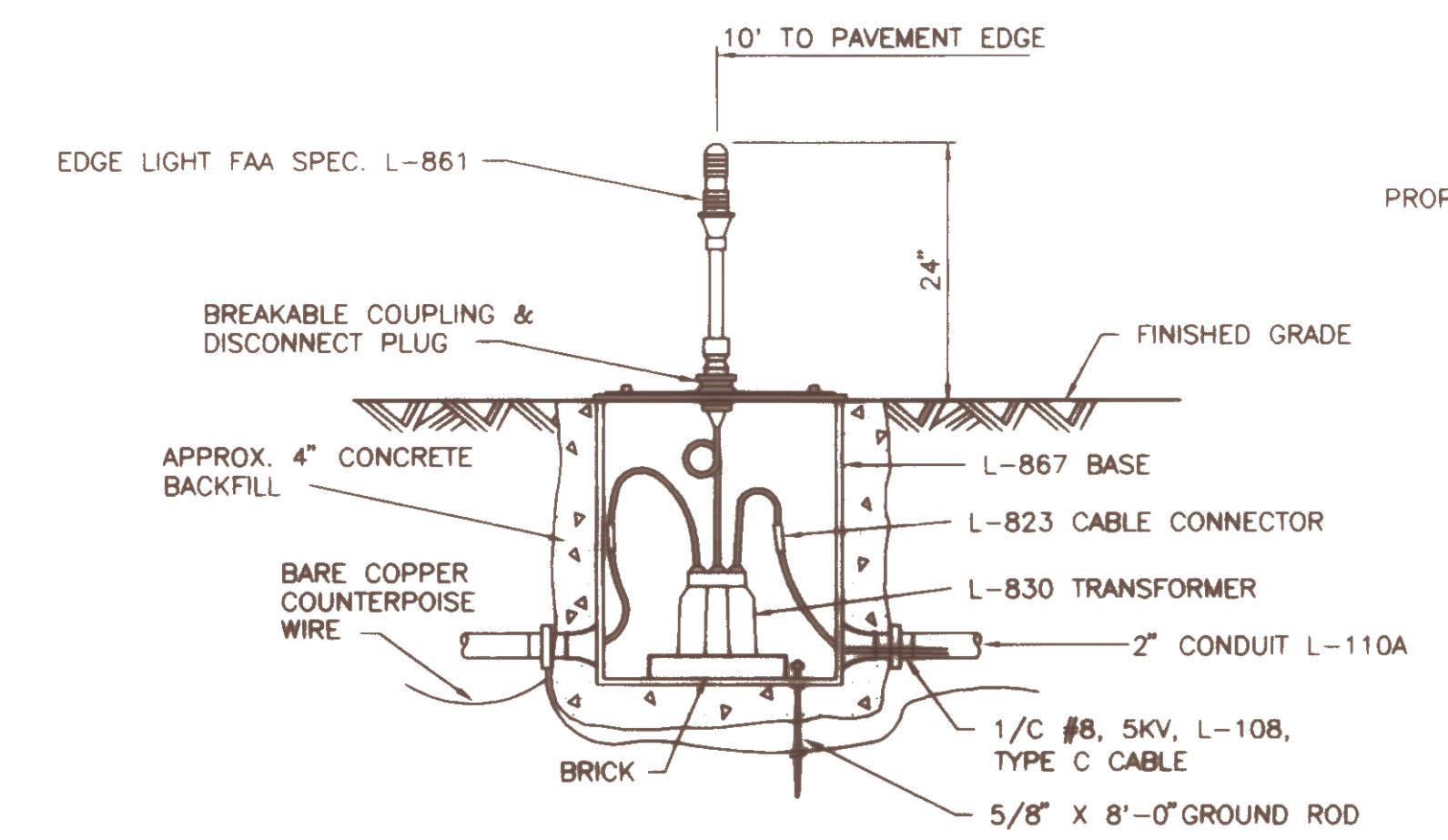
**CONCRETE DUCT MARKER**  
 (CABLE MARKERS ARE SIMILAR)



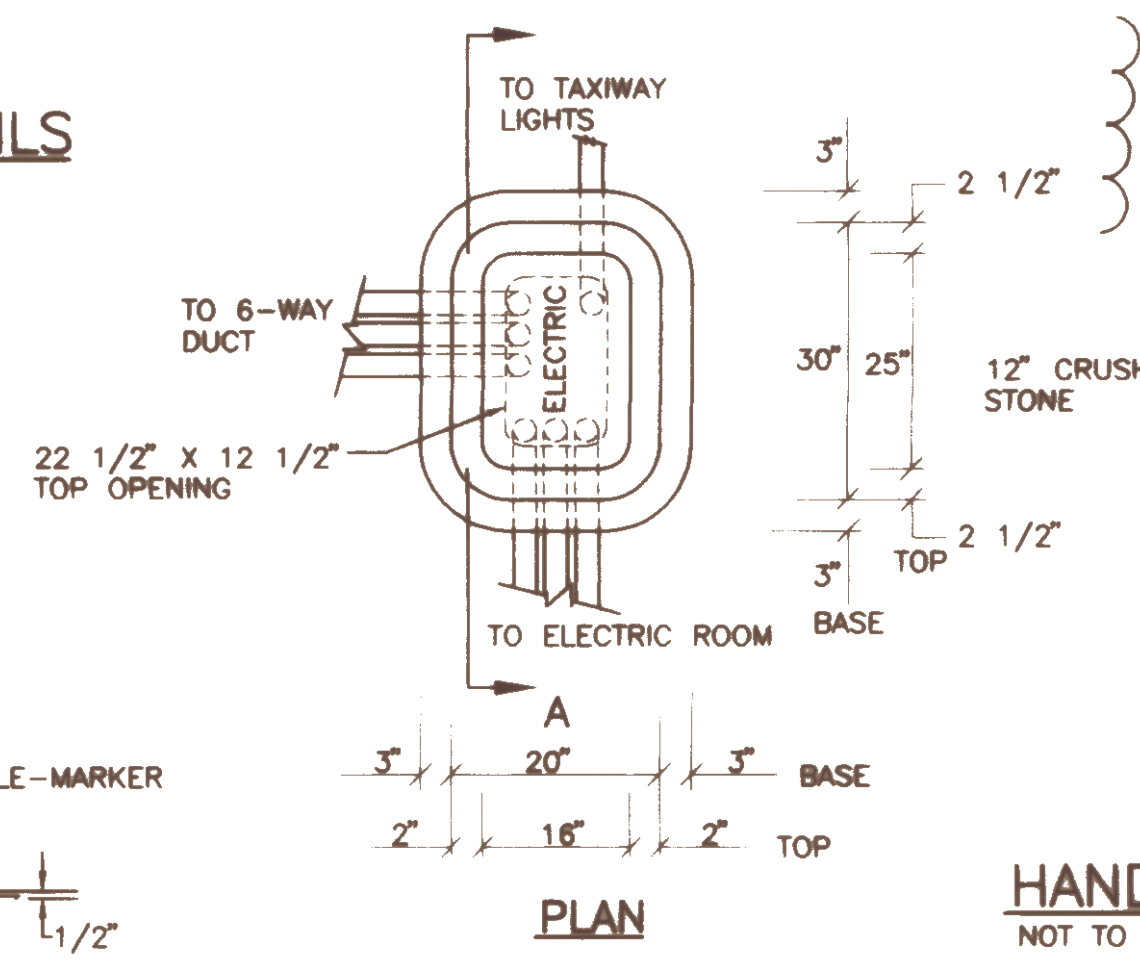
**TYPICAL CABLE/DUCT-MARKER DETAIL**  
 NOT TO SCALE



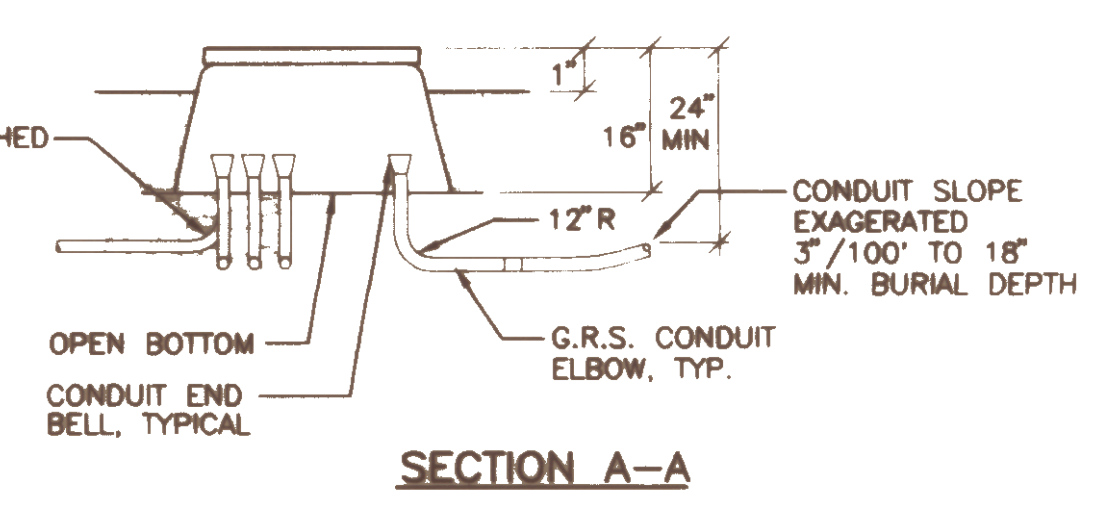
**CONDUIT INSTALLATION DETAILS**  
 NOT TO SCALE



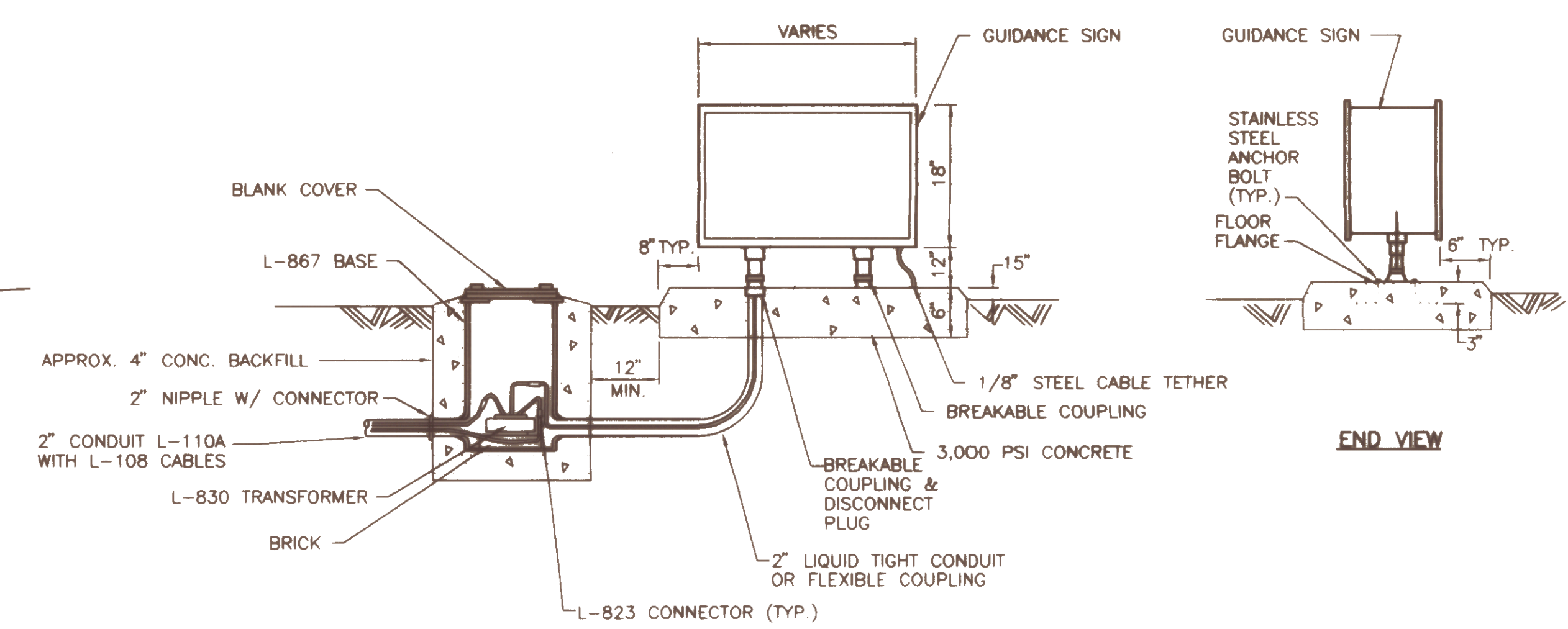
**BASE MOUNTED SERIES CIRCUIT**  
 NOT TO SCALE



**HANDHOLE DETAILS**  
 NOT TO SCALE

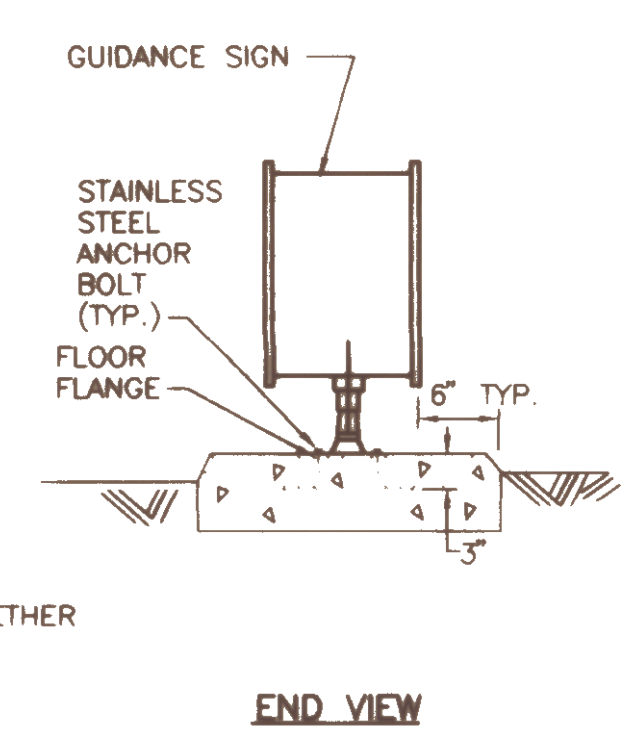


**SECTION A-A**

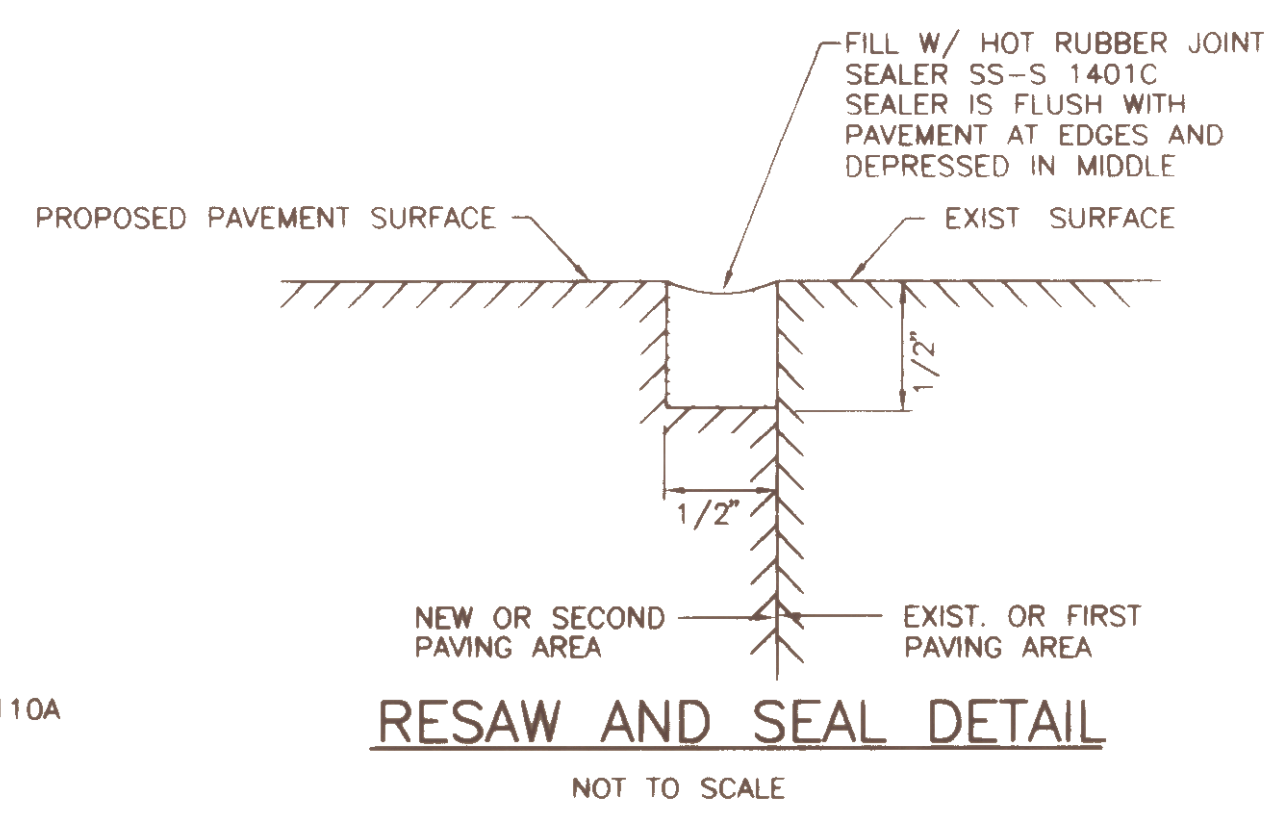


**GUIDANCE SIGN DETAIL**  
 NOT TO SCALE

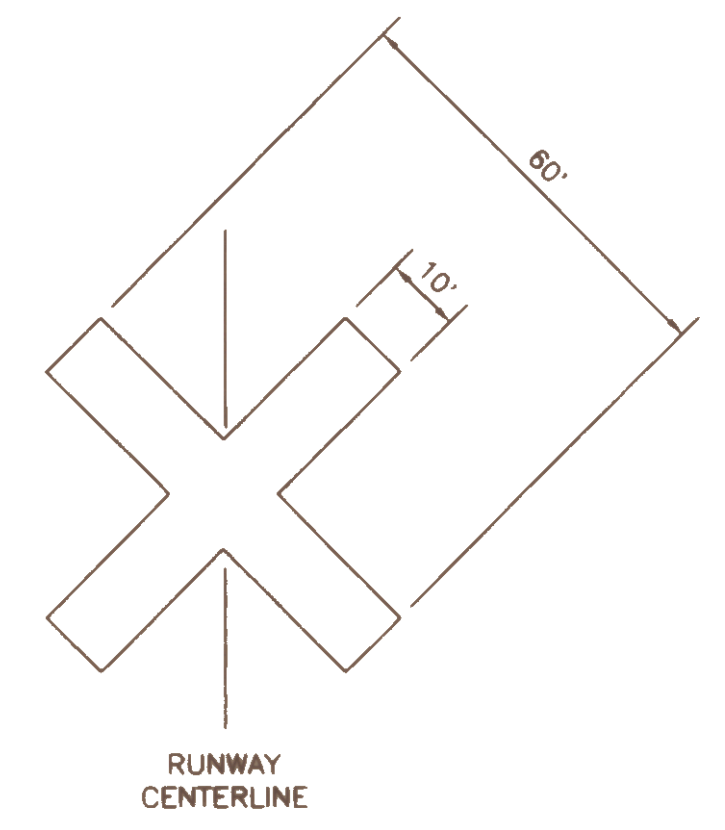
NOTE:  
 GROUND ROD AND COUNTERPOISE NOT SHOWN, REFER TO BASE MOUNTED DETAIL ABOVE FOR REQUIREMENTS



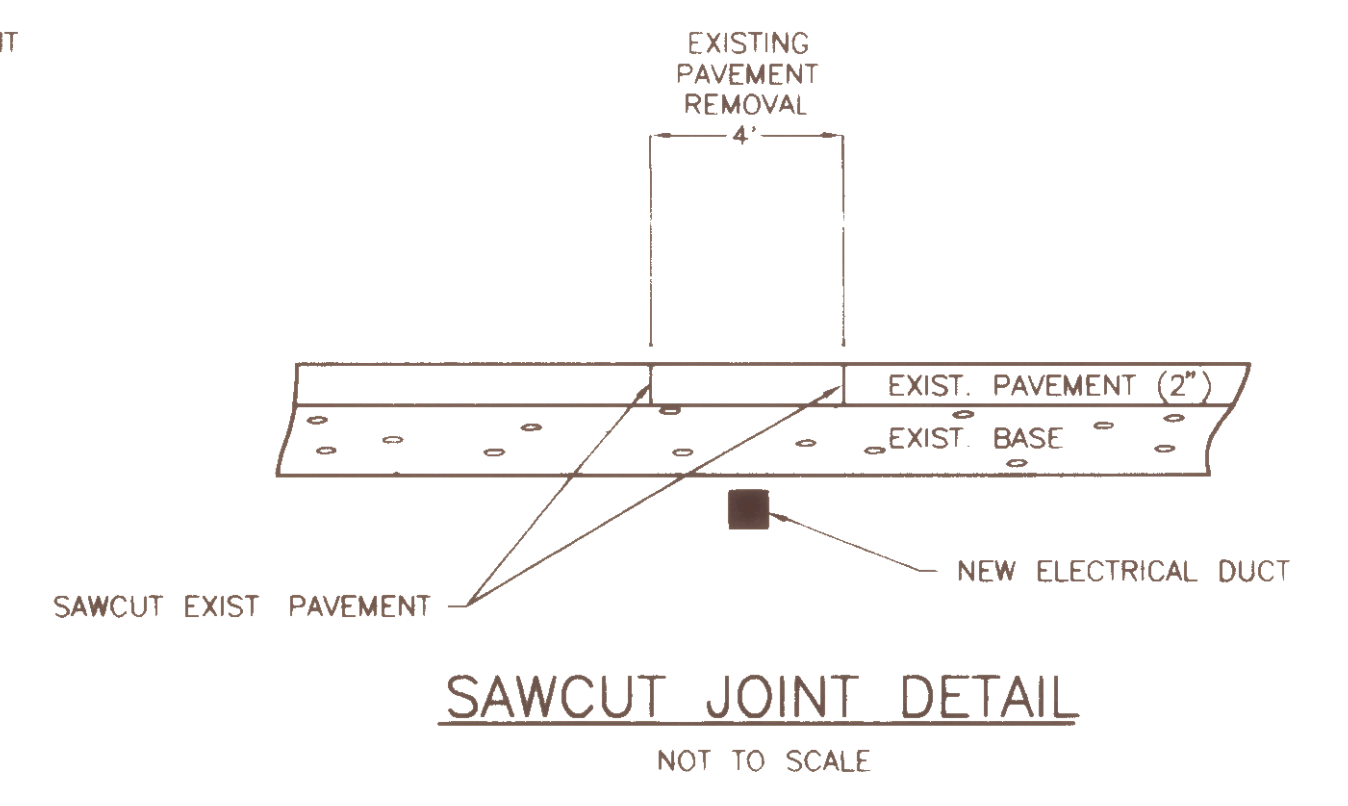
**END VIEW**



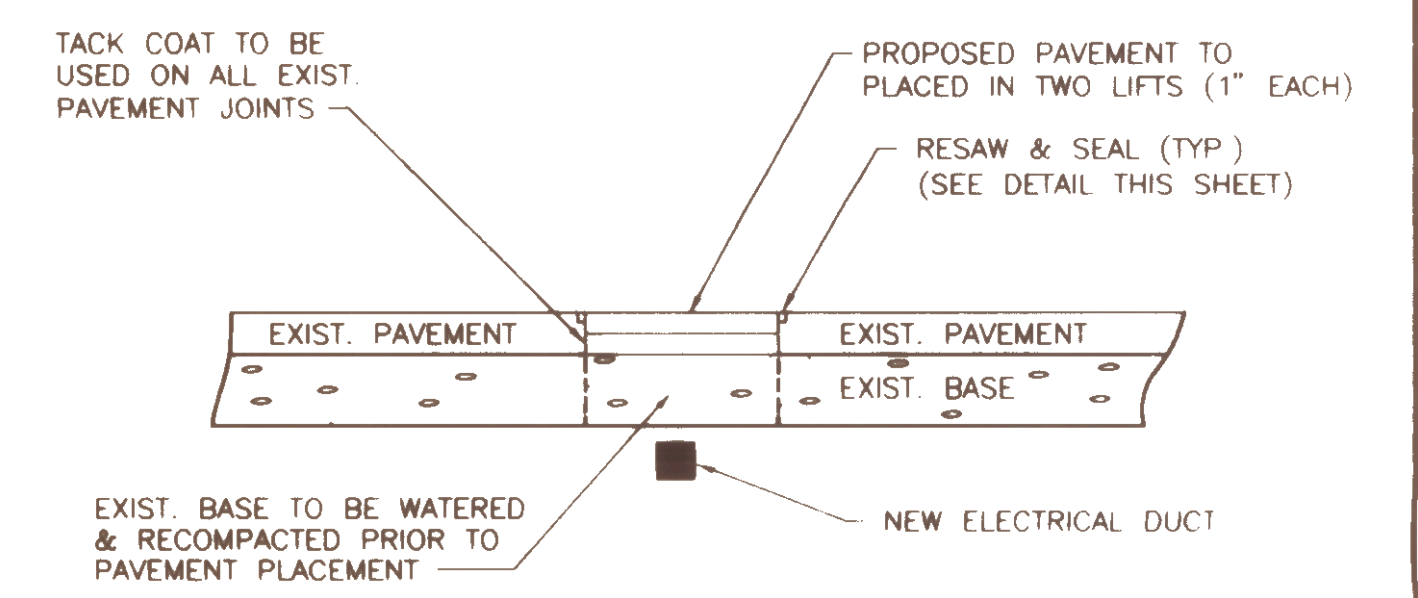
**RESAW AND SEAL DETAIL**  
 NOT TO SCALE



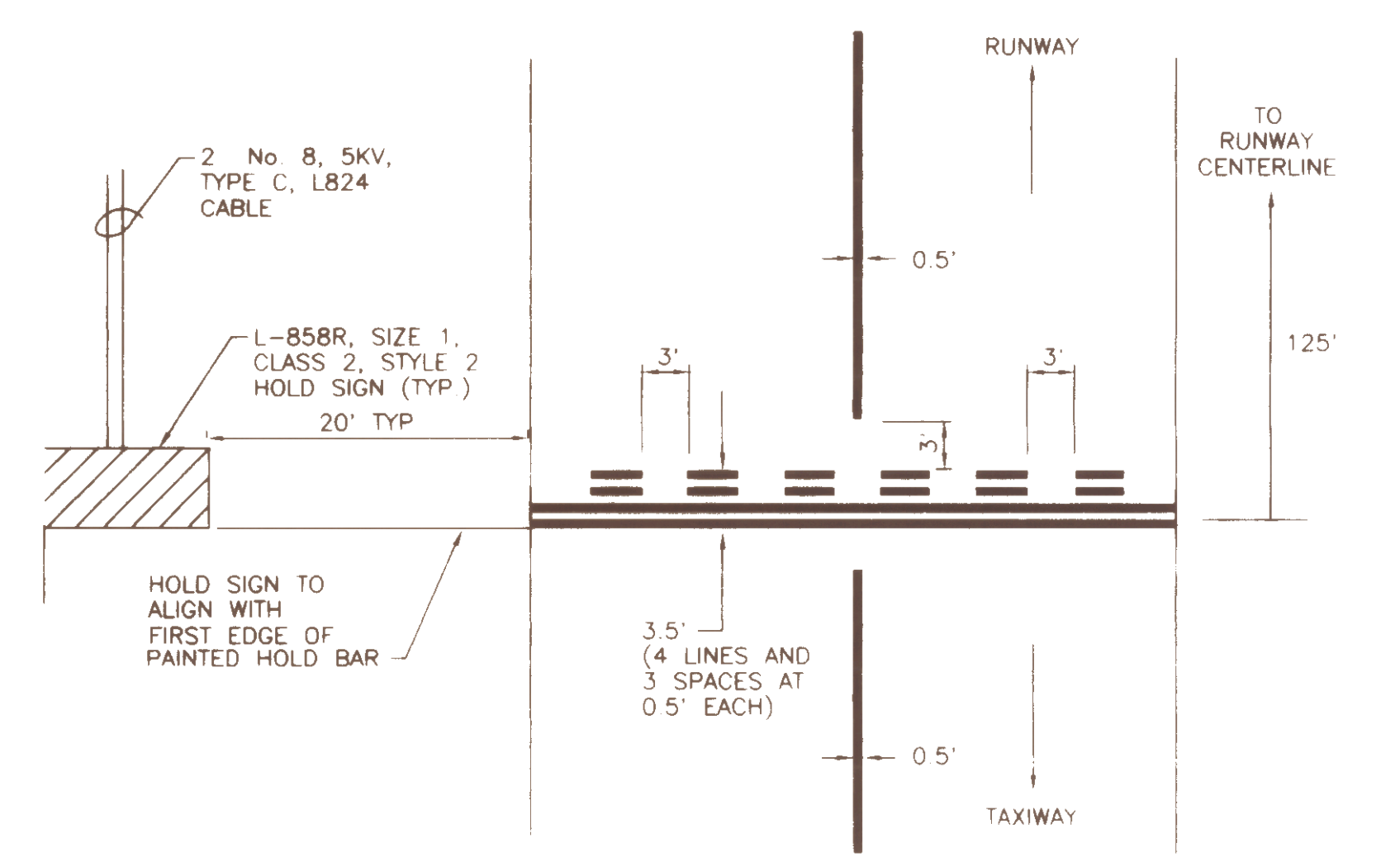
**CLOSED RUNWAY MARKINGS**  
 NOT TO SCALE



**SAWCUT JOINT DETAIL**  
 NOT TO SCALE



**PAVEMENT REPAIR DETAIL**  
 NOT TO SCALE



**HOLD SIGN LAYOUT AND HOLD BAR DETAIL**  
 NOT TO SCALE

LIGHTING DETAILS	
OF <b>CALEDONIA COUNTY STATE AIRPORT</b> PREPARED FOR <b>VERMONT AGENCY OF TRANSPORTATION</b>	
SCALE AS NOTED	DATE FEBRUARY, 1994
DESIGNED BY JAA	
DRAWN BY MSP	
CHECKED BY JAA	
APPROVED BY JAA	ROUTE 66 PROFESSIONAL PLAZA RANDOLPH, VERMONT (802) 728-1110

NO.	DATE	REVISION