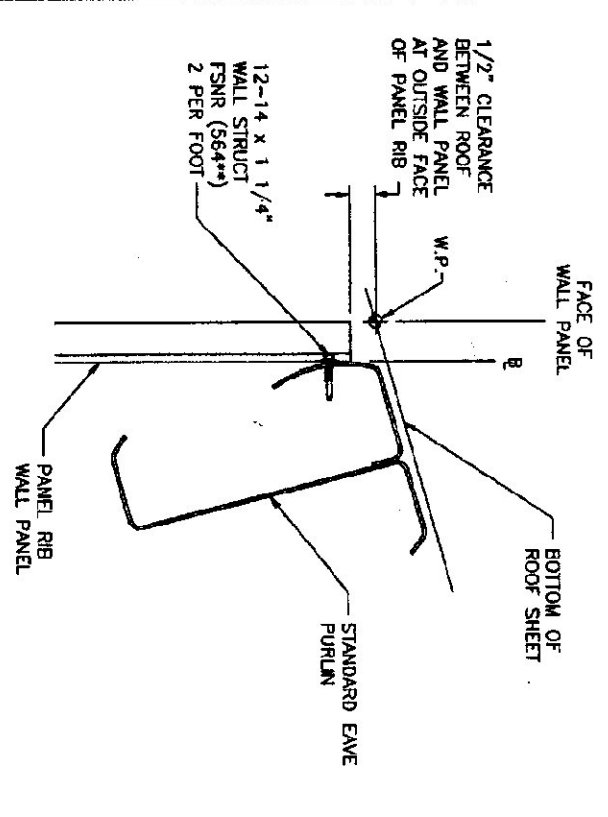
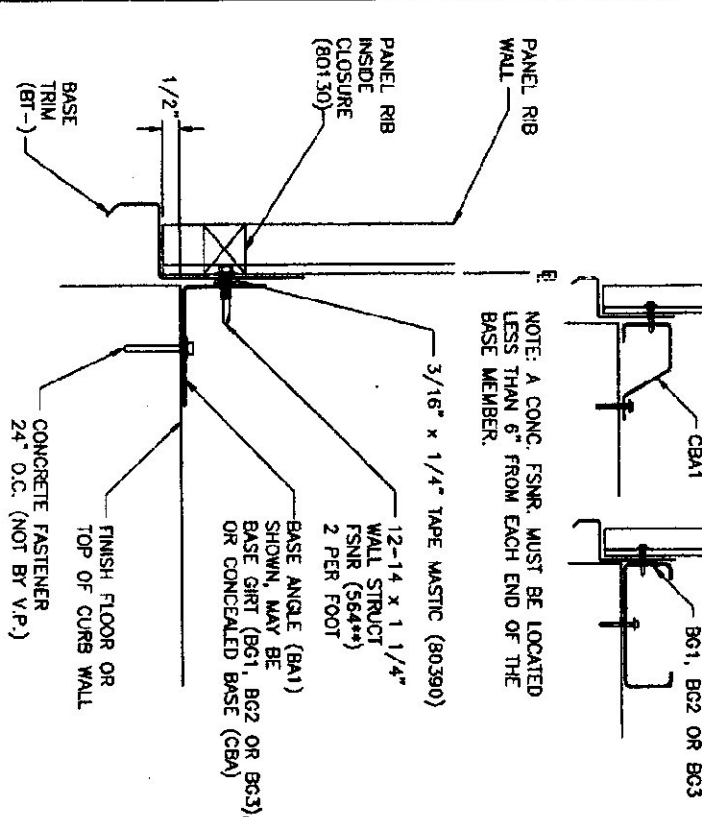


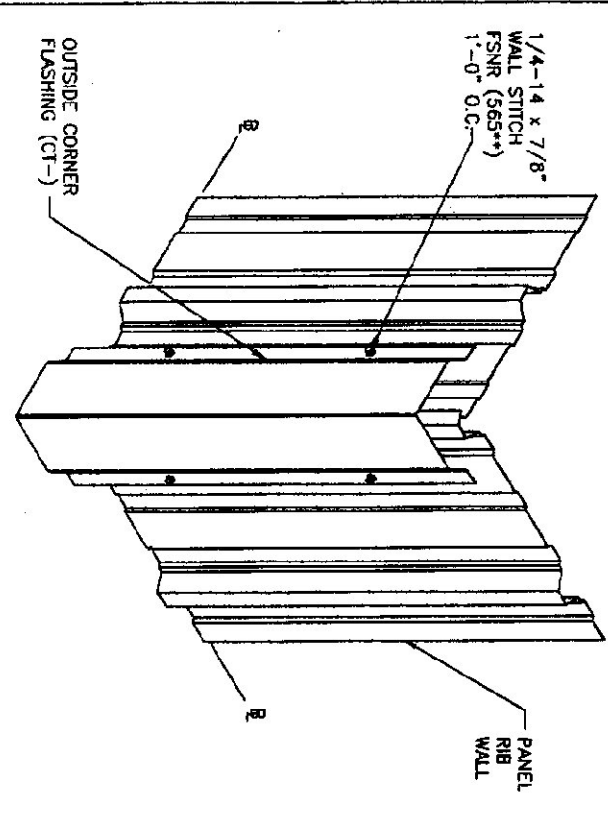
**WELODED LOW EAVE PURLIN**  
P & B END FRAME (6 1/2" OR 8 1/2" PURLIN)  
RST1A2



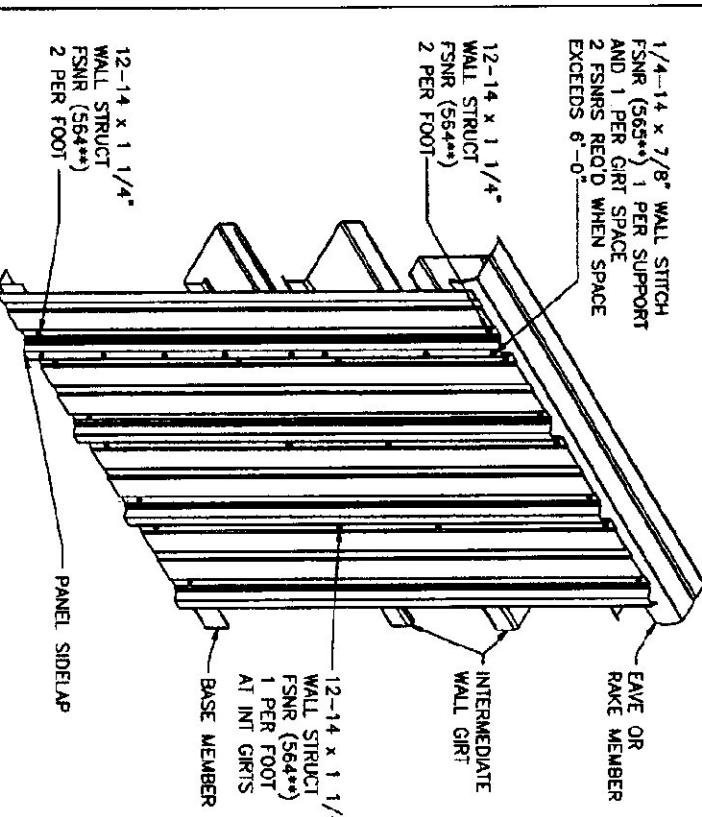
**PANEL RIB WALL AT EAVE**  
STANDARD EAVE PURLIN  
WC11A1



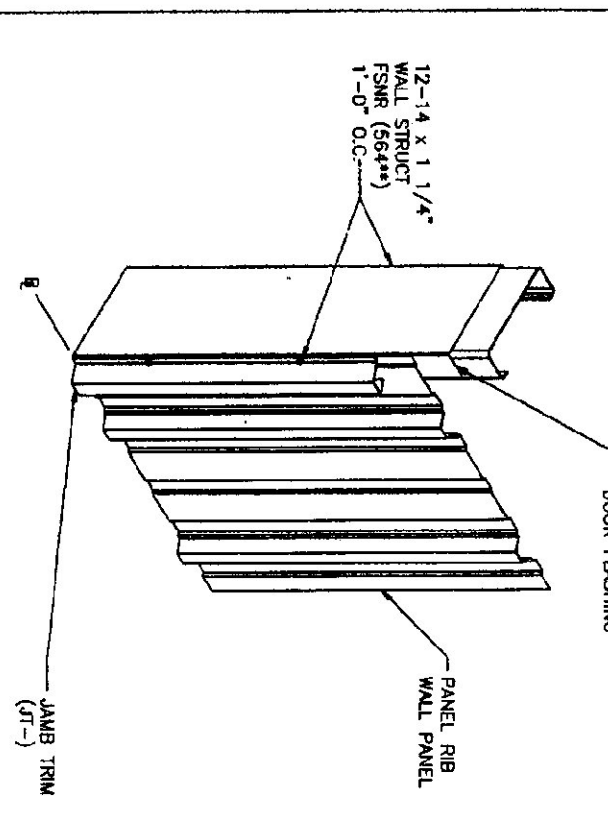
**BASE OF WALL ATTACHMENT**  
SQUARE CUT PANEL RIB W/ BASE TRIM  
WC01A3



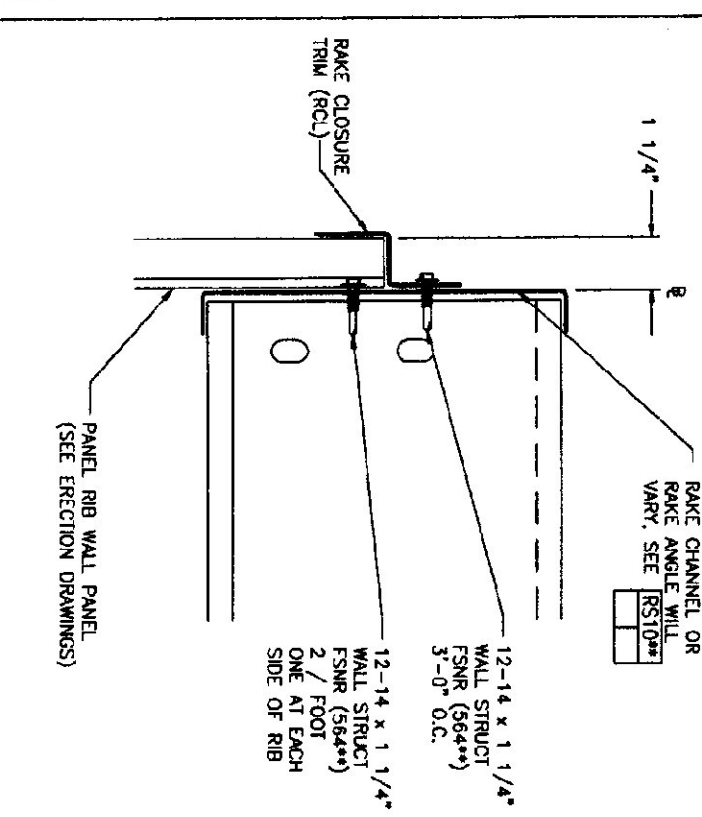
**OUTSIDE CORNER TRIM (NON DAMPHRAGM)**  
PANEL RIB WALL  
WC20A1



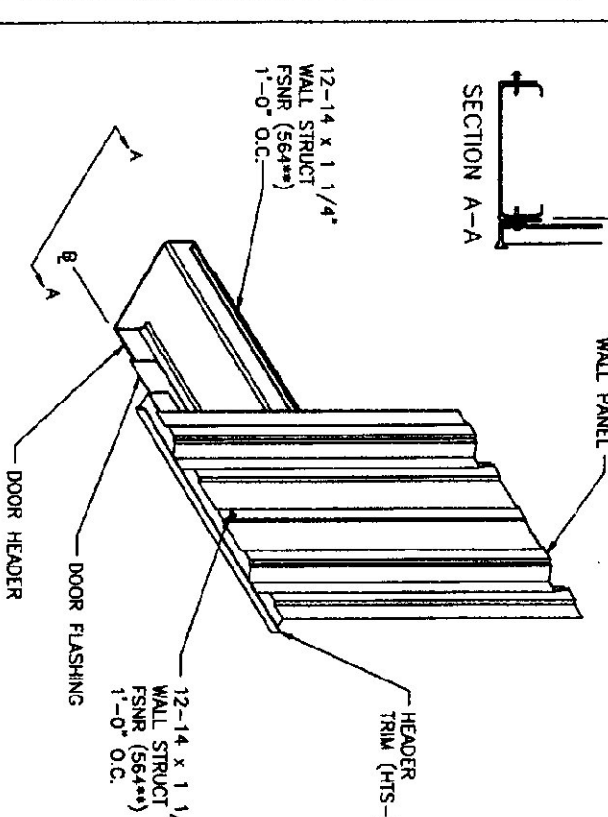
**PANEL RIB WALL**  
FASTENER PATTERNS  
WC04A1



**JAMB TRIM AT OVERHEAD DOOR**  
PANEL RIB WALL  
WC24A1



**PANEL RIB ENDWALL AT RAKE**  
W/ BLANKET INSULATION OVER 2:12 PITCHES  
WC10A2



**WALL TRIM AT DOOR HEAD**  
OVERHEAD DOOR OPENING  
WC24A2

VP 388

VP BUILDINGS, INC. 3200 PARKWAY CLUB CIRCLE MEMPHIS TN 38135

10/24/2000 9348110

FOR CONSTRUCTION		BUILDING SBD'S	
NO.	DATE	NO.	DESCRIPTION

VP BUILDINGS, INC. 3200 PARKWAY CLUB CIRCLE MEMPHIS TN 38135

10/24/2000 9348110

FOR CONSTRUCTION		BUILDING SBD'S	
NO.	DATE	NO.	DESCRIPTION

VP BUILDINGS, INC. 3200 PARKWAY CLUB CIRCLE MEMPHIS TN 38135

10/24/2000 9348110

