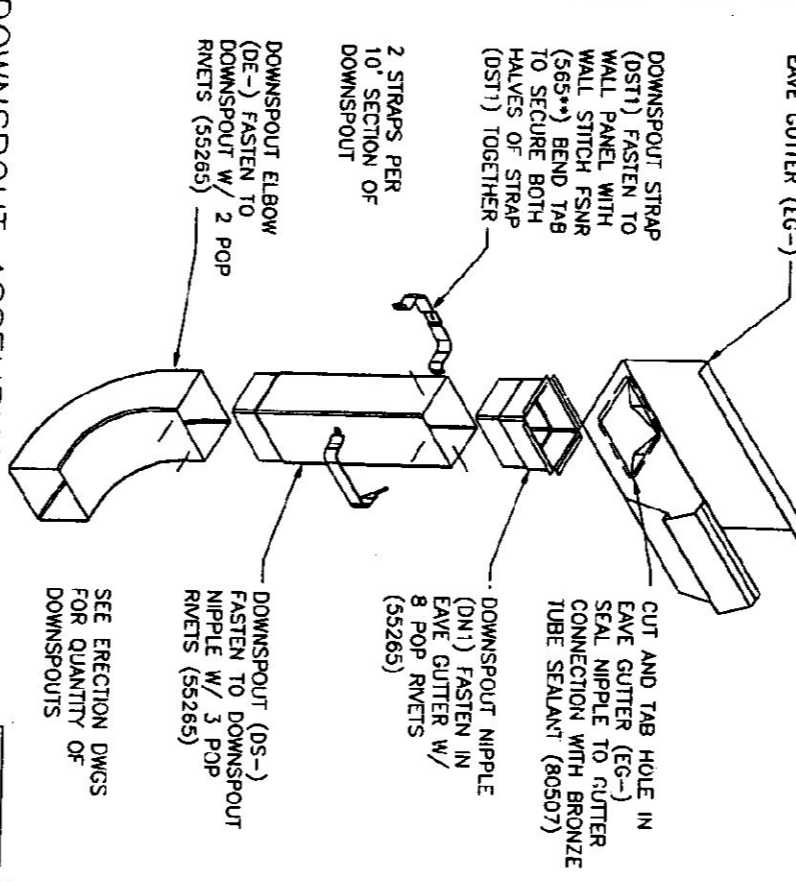
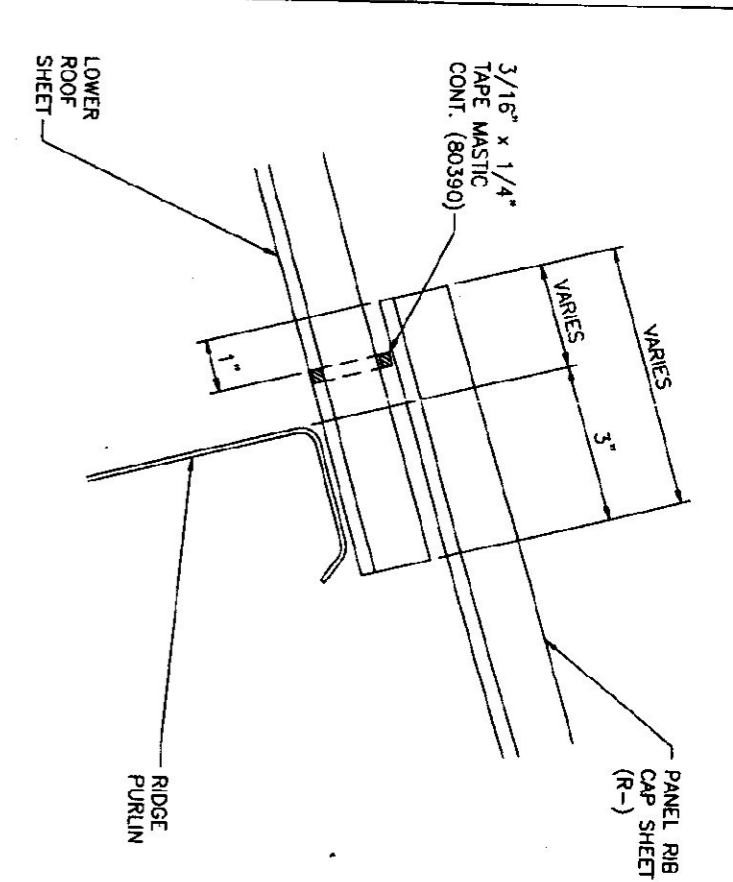


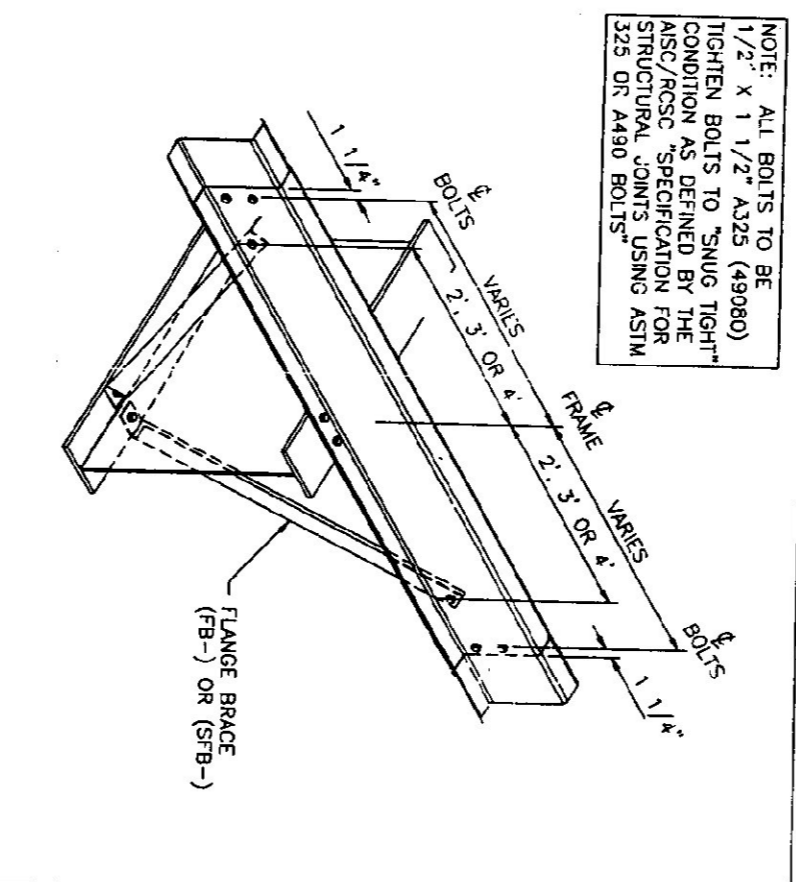
PANEL RIB W/ EAVE FASCIA
RC3181
 ALL SYSTEMS
 REVISION R 02/12/91



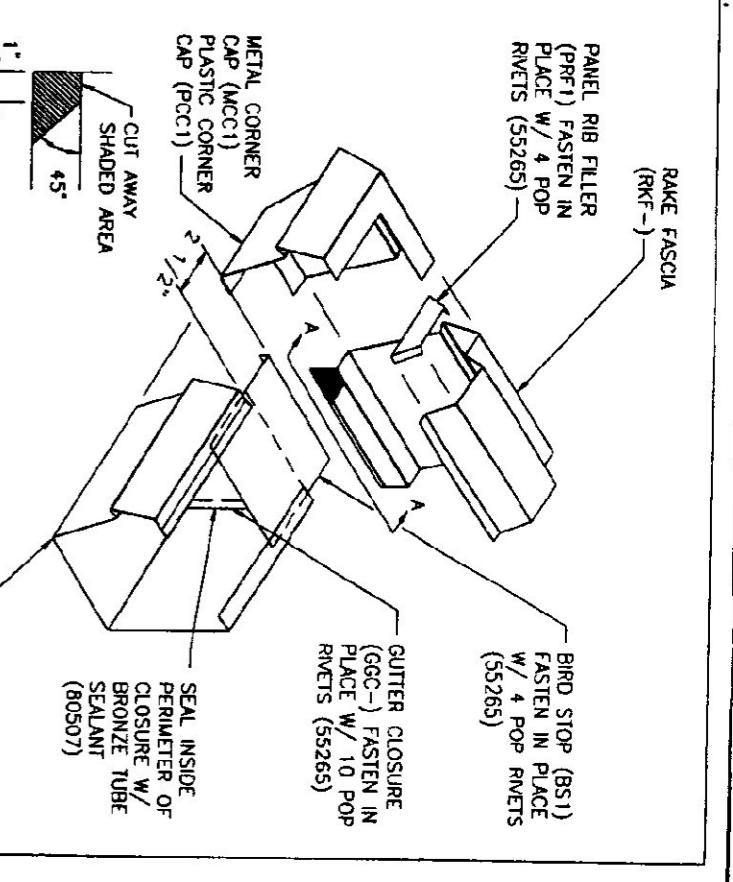
DOWNSPOUT ASSEMBLY
RC38F1
 ALL SYSTEMS
 REVISION R 02/12/91



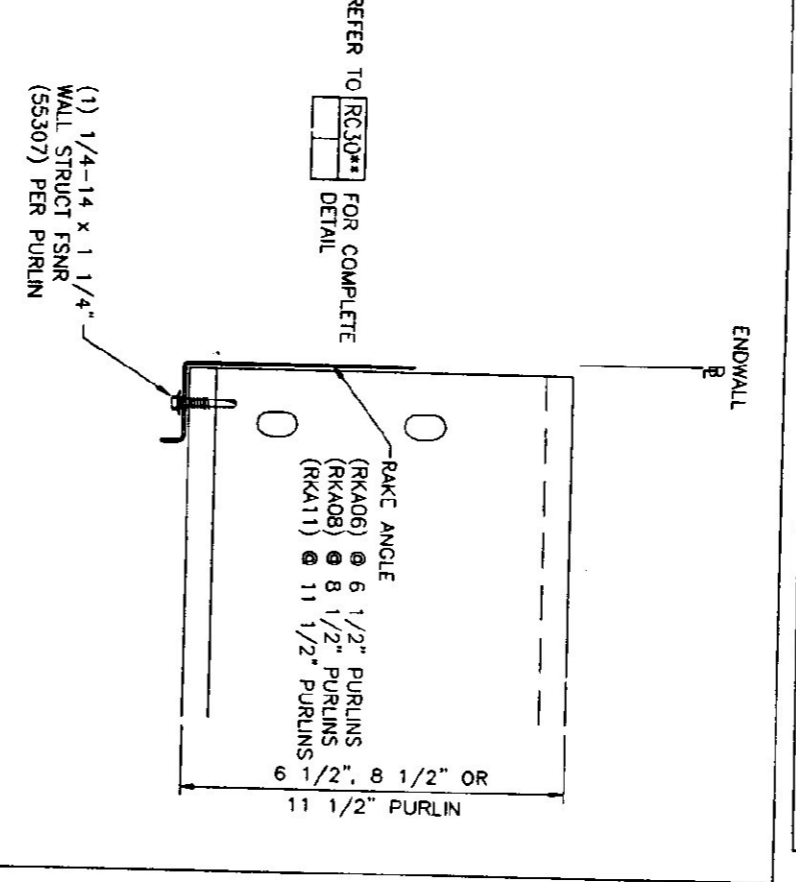
PANEL RIB ROOF RIDGE CAP ENDLAP
RC34B1
 ALL SYSTEMS
 REVISION R 02/12/91



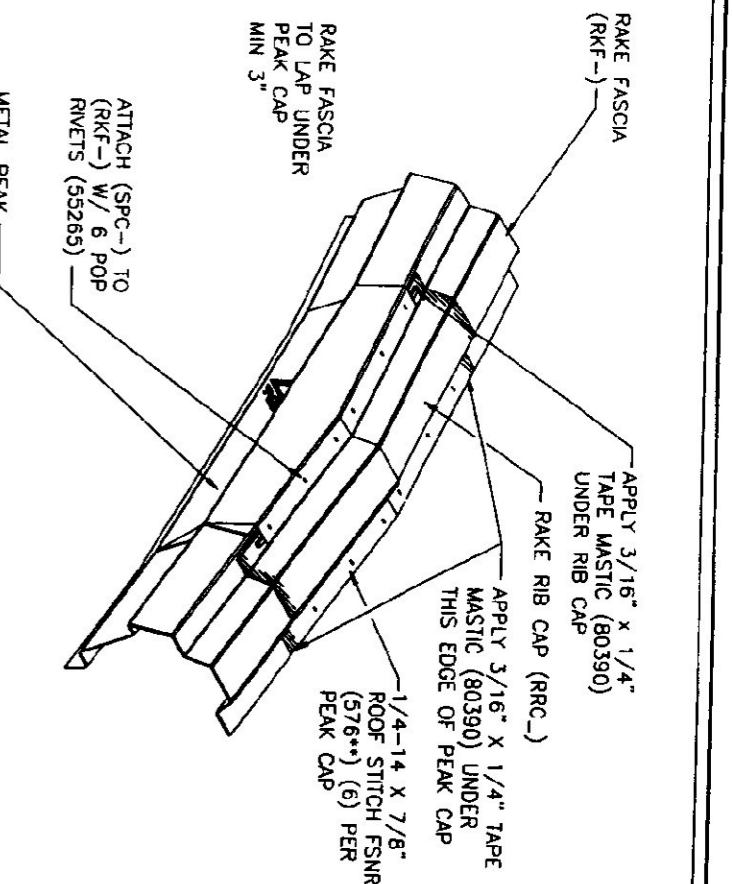
PURLIN CONN. AT INTERIOR FRAME
RS01A2
 6 1/2\"/>



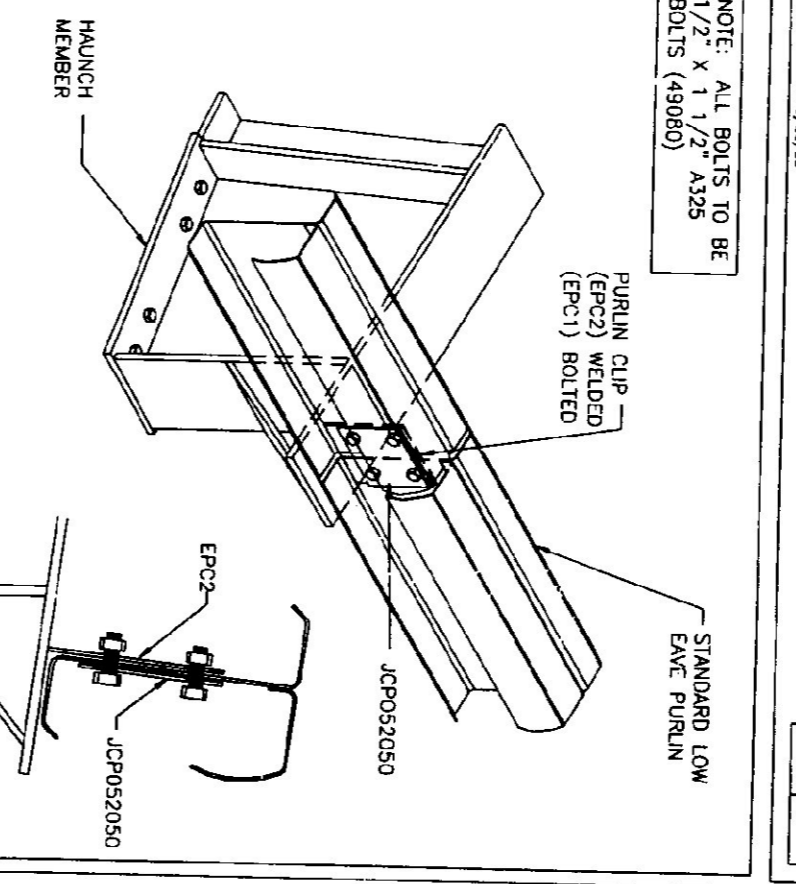
EAVE CUTTER CORNER ASSEMBLY
RC38A1
 ALL SYSTEMS
 REVISION R 02/12/91



RAKE CHANNEL TO PURLIN STD. PR. ROOF
RS10A1
 6 1/2\"/>



RAKE FASCIA METAL PEAK CAP ATTACHMENT (P-RIB ROOF)
RC38C4
 REVISION R 10/20/90



WELDED LOW EAVE PURLIN (INT. FRAME)
RS11A1
 6 1/2\"/>

VP REF.

THIS DRAWING IS THE PROPERTY OF THE COMPANY AND IS NOT TO BE REPRODUCED OR TRANSMITTED IN ANY FORM OR BY ANY MEANS, ELECTRONIC OR MECHANICAL, INCLUDING PHOTOCOPYING, RECORDING, OR BY ANY INFORMATION STORAGE AND RETRIEVAL SYSTEM, WITHOUT THE WRITTEN PERMISSION OF THE COMPANY.

FOR CONSTRUCTION

NO.	DATE	BY	DESCRIPTION
1	10/24/2000	VP	ISSUED FOR CONSTRUCTION

DATE: 10/24/2000 9:34:08

PROJECT: VP BUILDINGS

SCALE: 2.0

DATE: 10/22/00 TIME: 12:08:00

PROJECT: VP BUILDINGS

SCALE: 2.0

DATE: 10/22/00 TIME: 12:08:00

ISSUED PRINT

FOR CONSTRUCTION

VP BUILDINGS, INC. 3100 PLAYERS CLUB CIRCLE MEMPHIS TN 38125

THIS DRAWING IS THE PROPERTY OF THE COMPANY AND IS NOT TO BE REPRODUCED OR TRANSMITTED IN ANY FORM OR BY ANY MEANS, ELECTRONIC OR MECHANICAL, INCLUDING PHOTOCOPYING, RECORDING, OR BY ANY INFORMATION STORAGE AND RETRIEVAL SYSTEM, WITHOUT THE WRITTEN PERMISSION OF THE COMPANY.

VP BUILDINGS, INC. 3100 PLAYERS CLUB CIRCLE MEMPHIS TN 38125