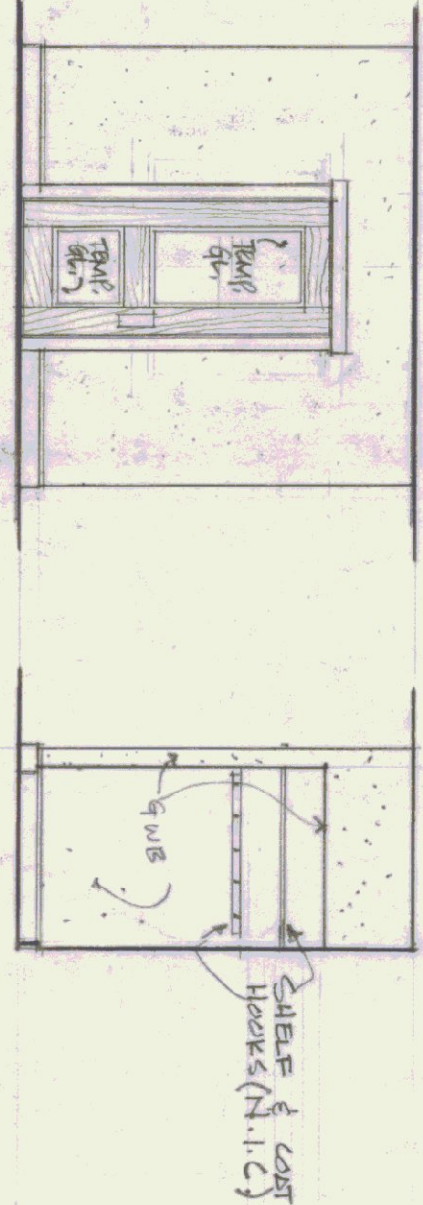
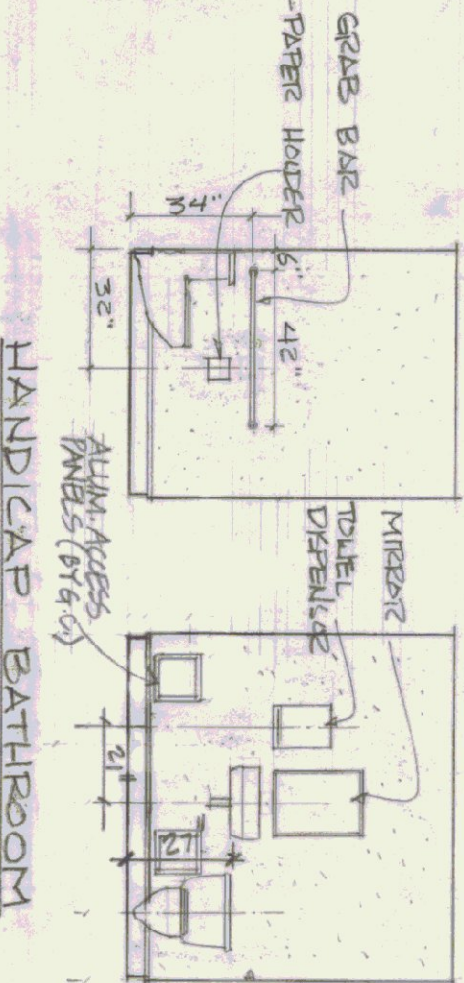
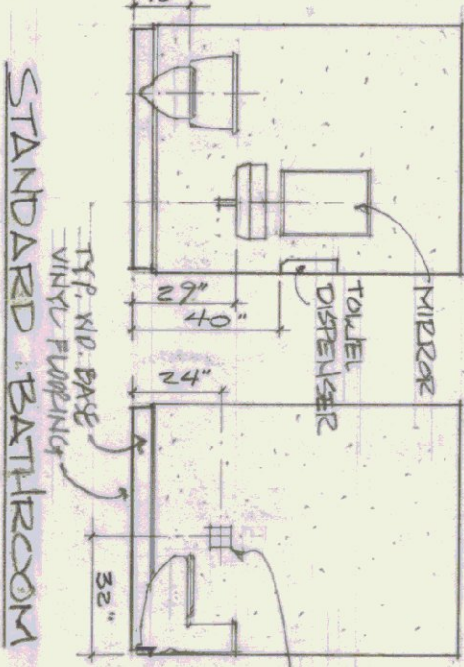
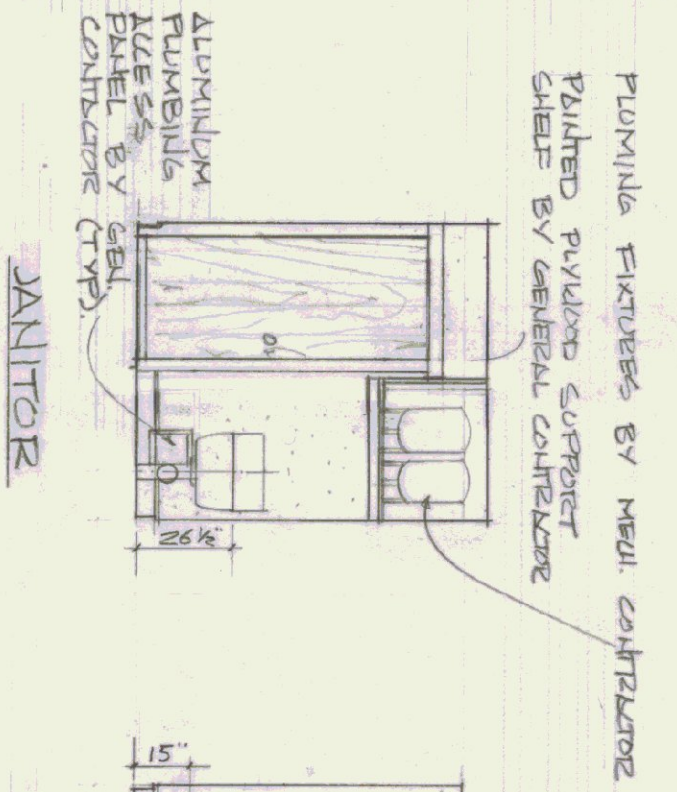
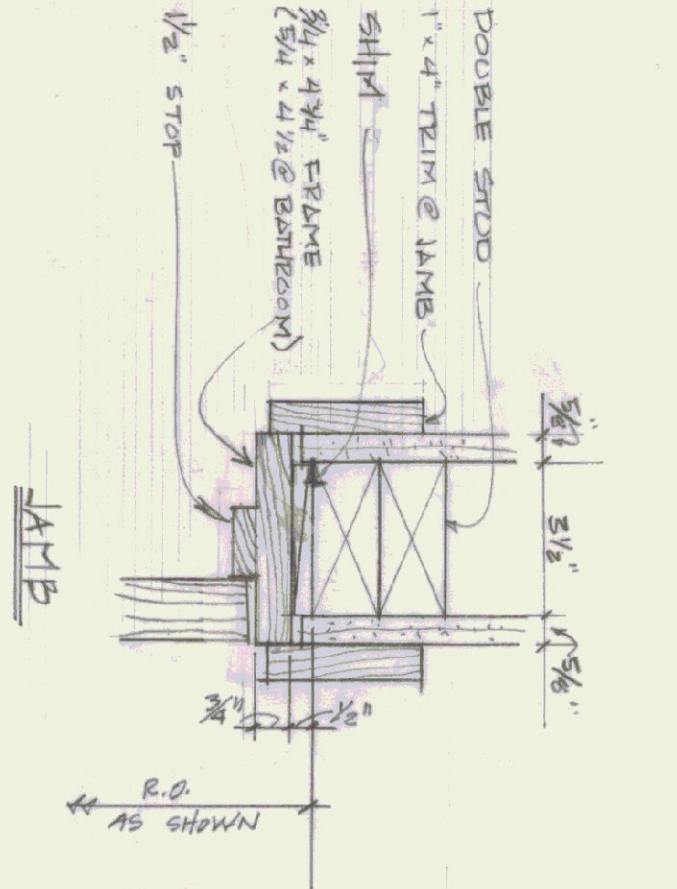
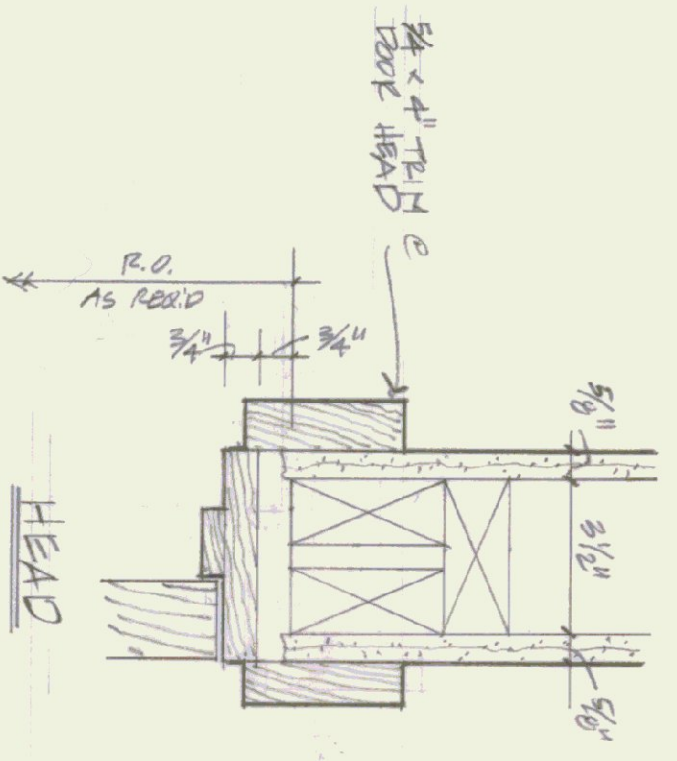


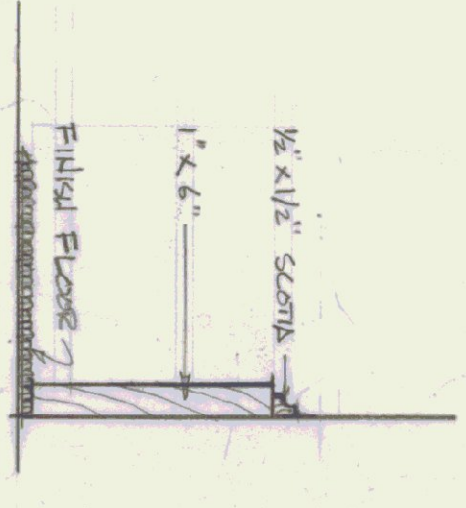
REFLECTED CEILING PLAN
1/4" = 1'-0"



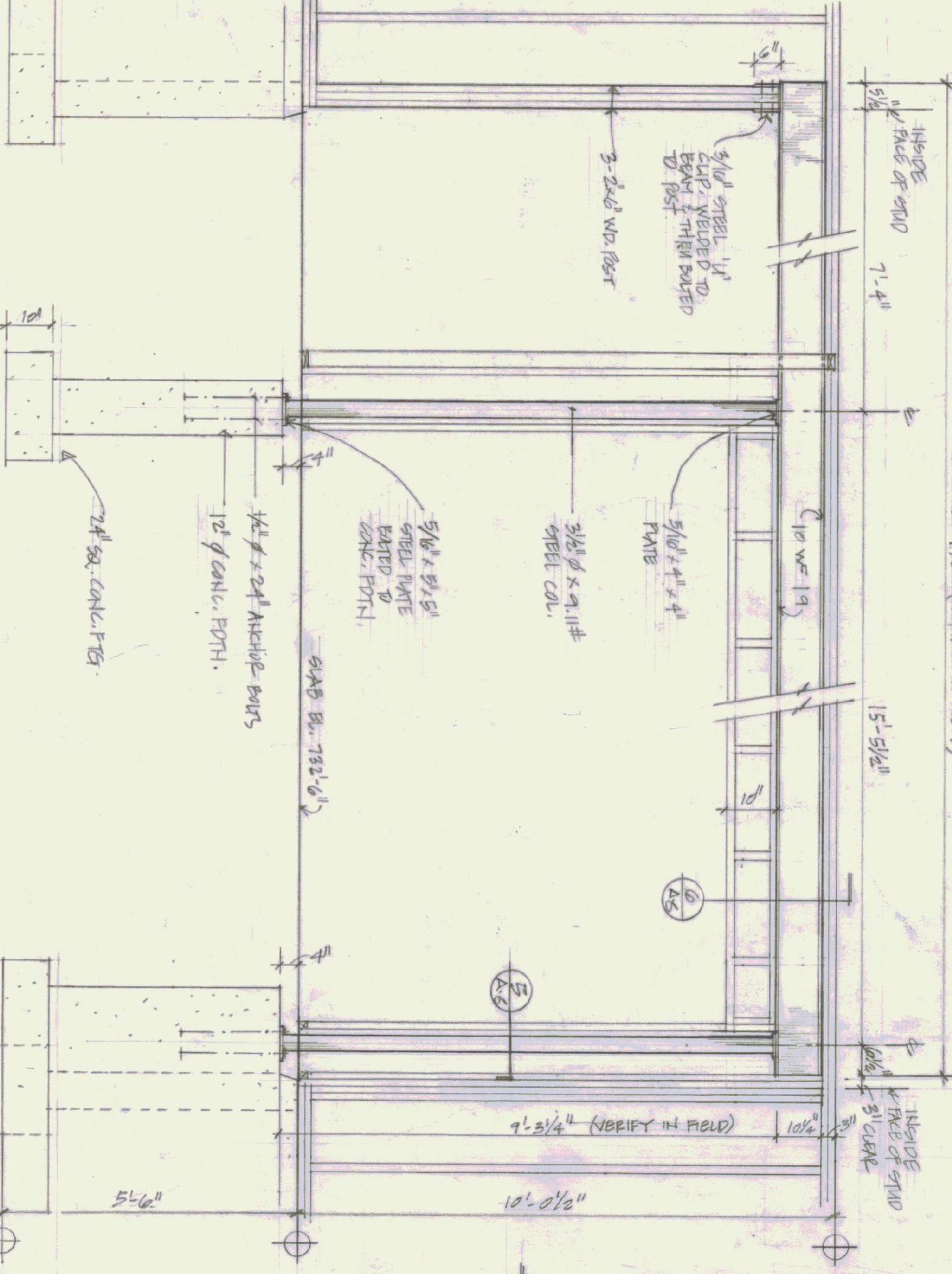
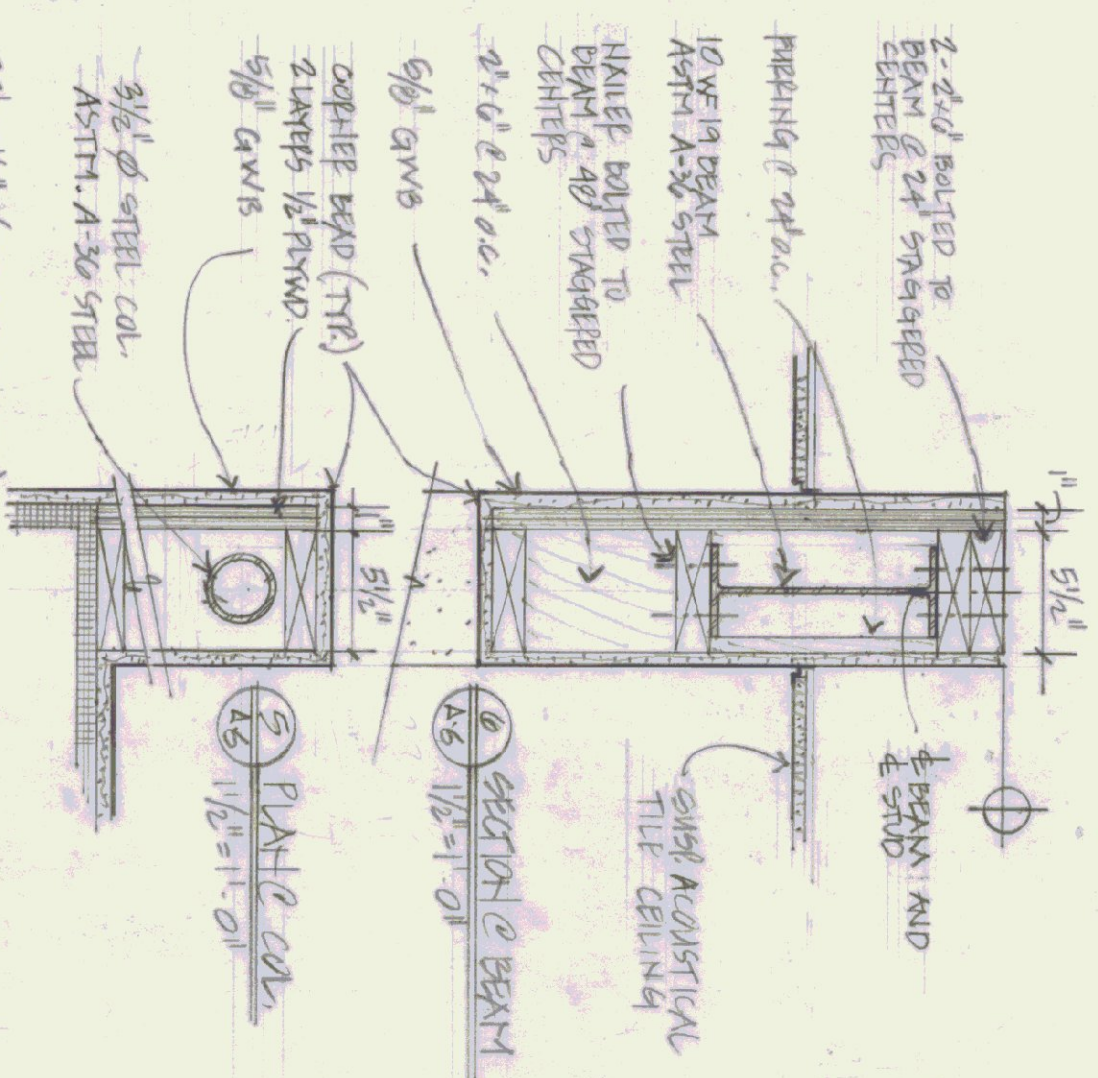
INTERIOR ELEVATIONS
1/4" = 1'-0"



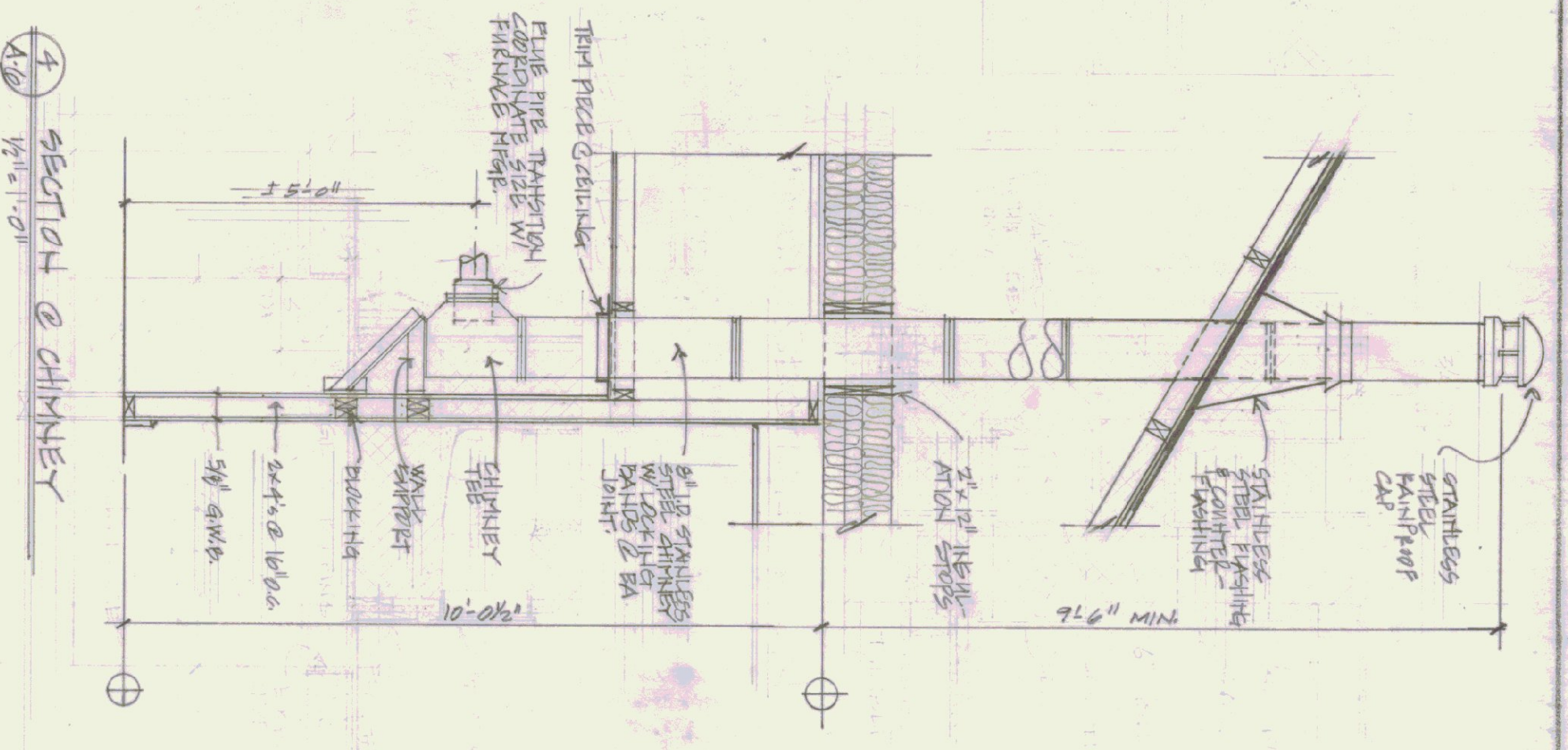
TYPICAL INTERIOR DOOR DETAILS
3/8" = 1'-0"



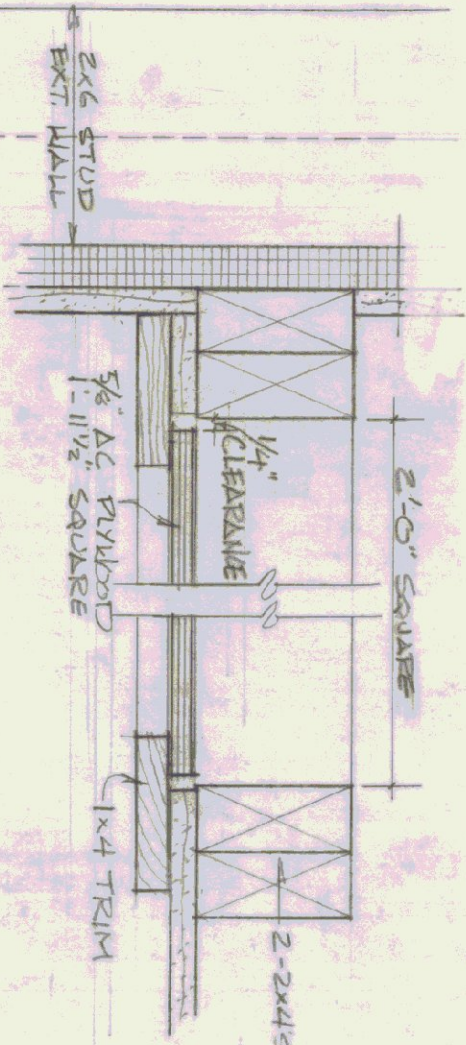
TYP WOOD BASE
3/8" = 1'-0"



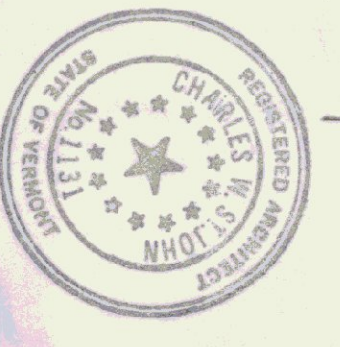
ELEVATION @ STEEL BEAM & SUPPORTS
3/8" = 1'-0"



SECTION @ CHIMNEY
1/4" = 1'-0"



SECTION @ ATTC ACCESS PANEL
3/8" = 1'-0"



STATE OF VERMONT		REGISTERED ARCHITECT	
DIVISION OF STATE BUILDINGS		CHARLES W. JONES	
AGENCY OF ADMINISTRATION		NO. 1131	
MONTPELIER, VERMONT			
REFLECTED CEILING PLAN AND INTERIOR DETAILS			
NEW TERMINAL BUILDING MORRISVILLE/STONE STATE AIRPORT VERMONT			
DATE:	JULY 6, 1983	SCALE:	AS NOTED
DRAWN BY:	C.W.S.	APPROVED BY:	C.W.S.
REVISIONS:		DWG NO.:	A 6
			8 OF 10