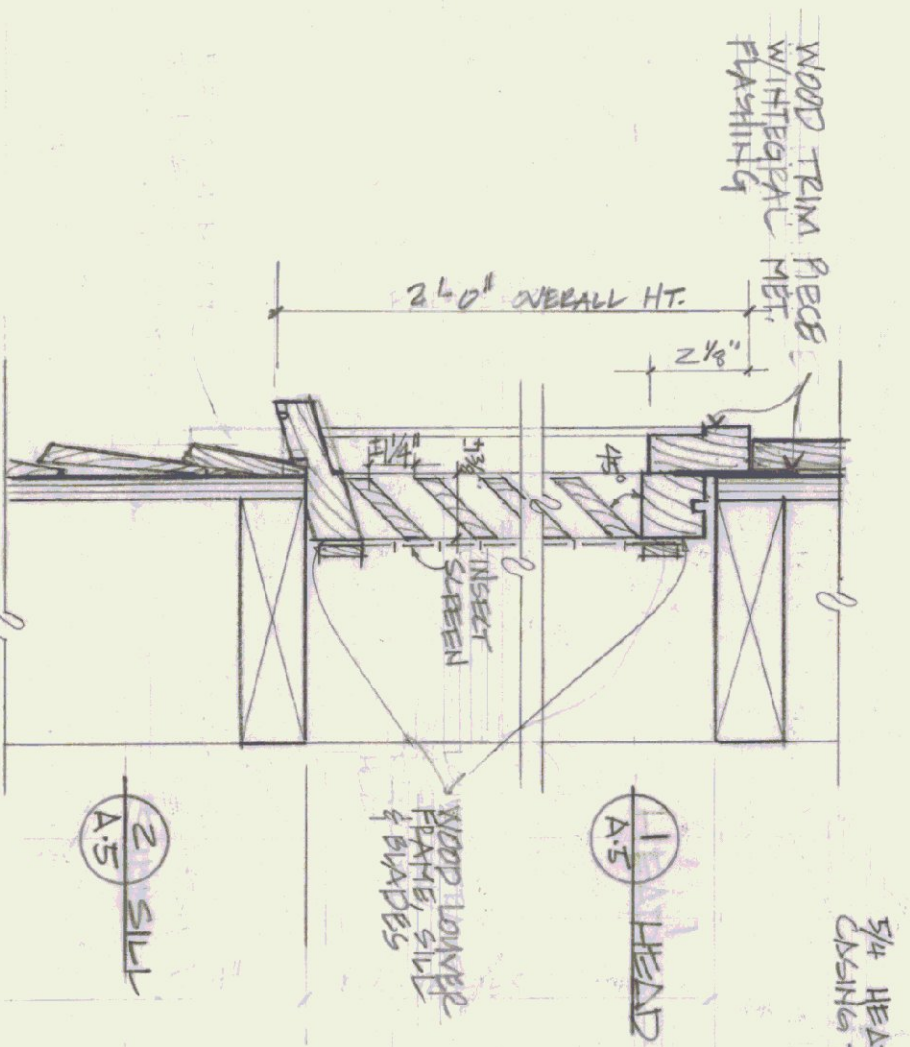
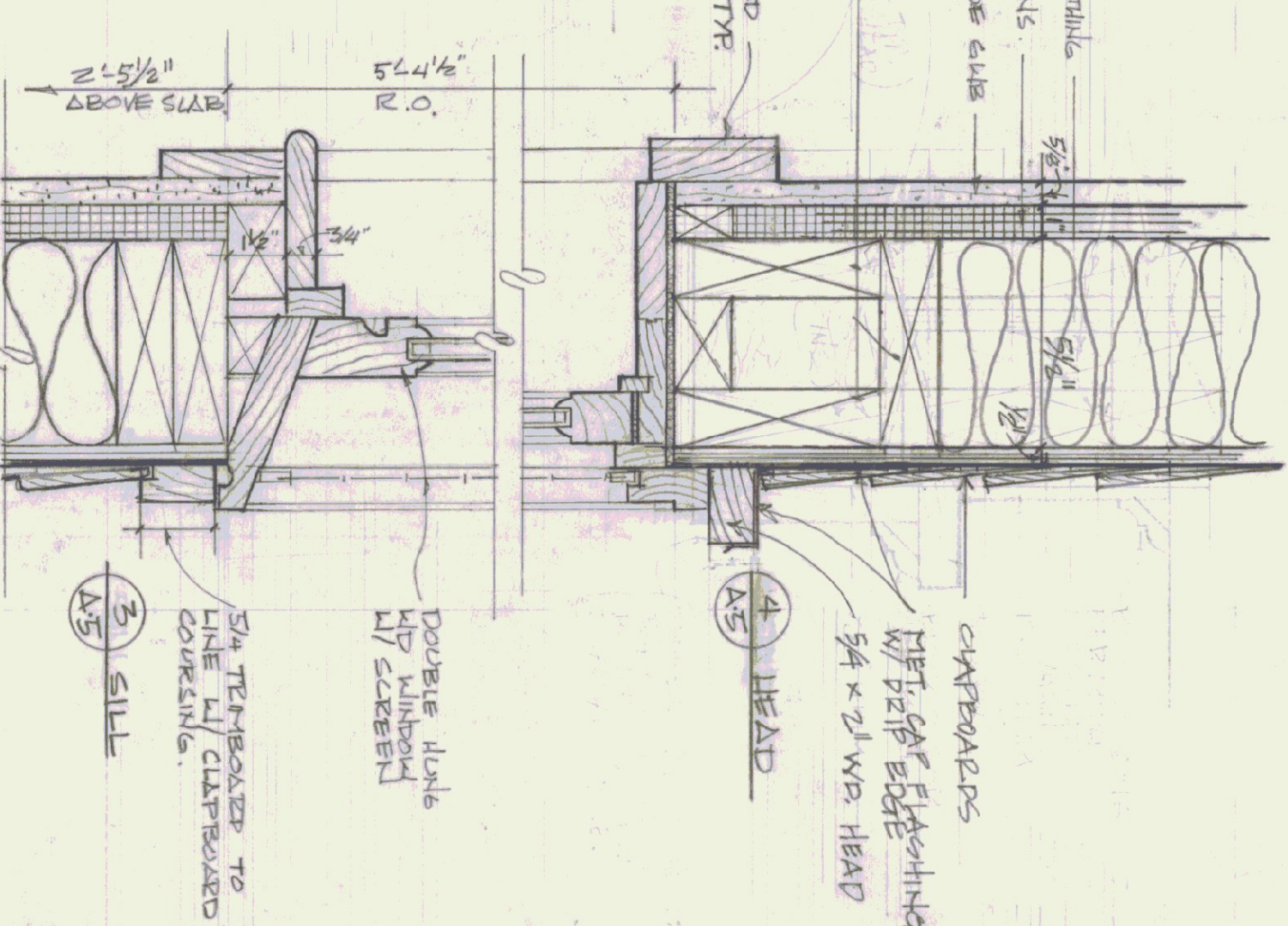


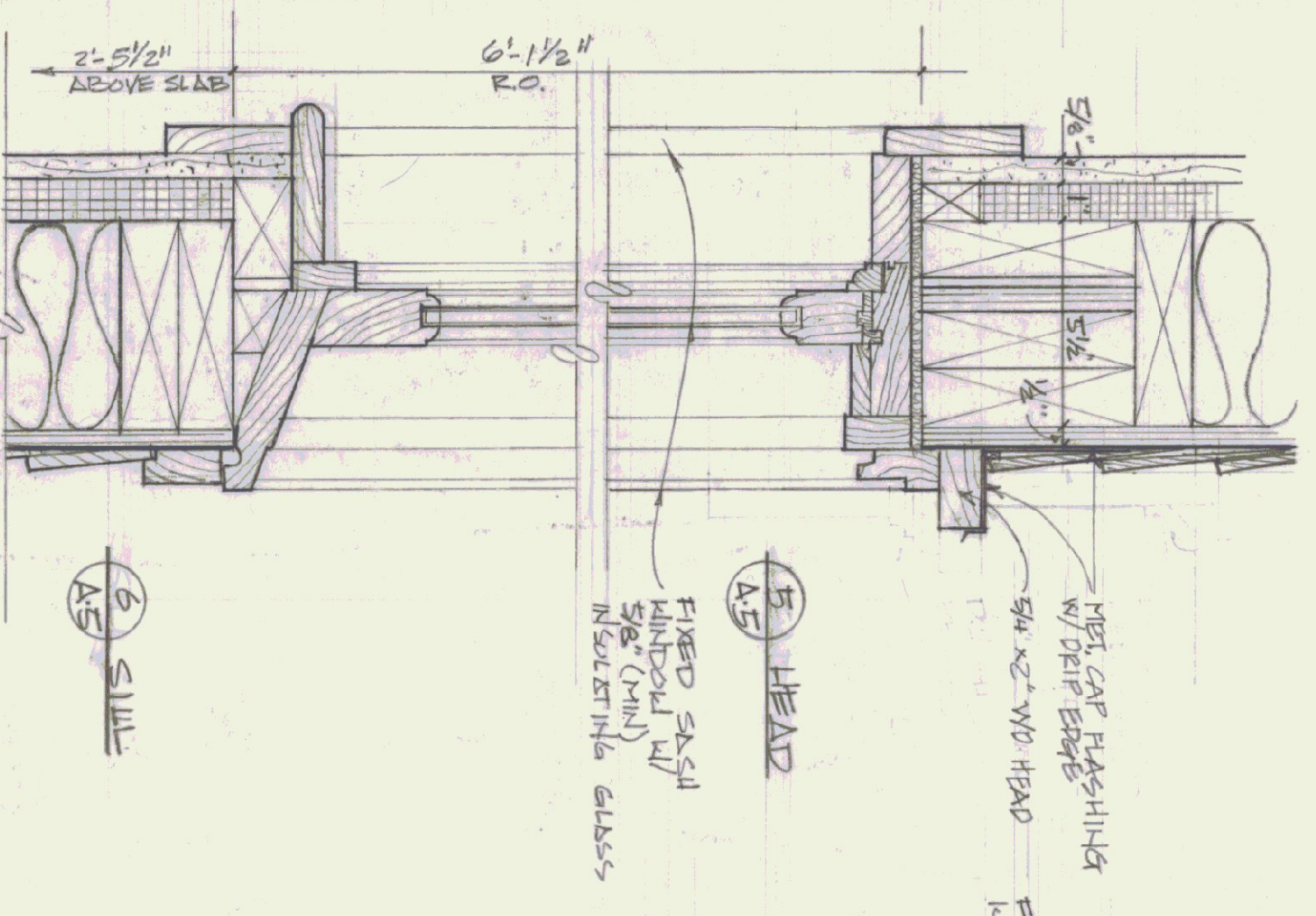
SECTION - 4
1/2" = 1'-0"



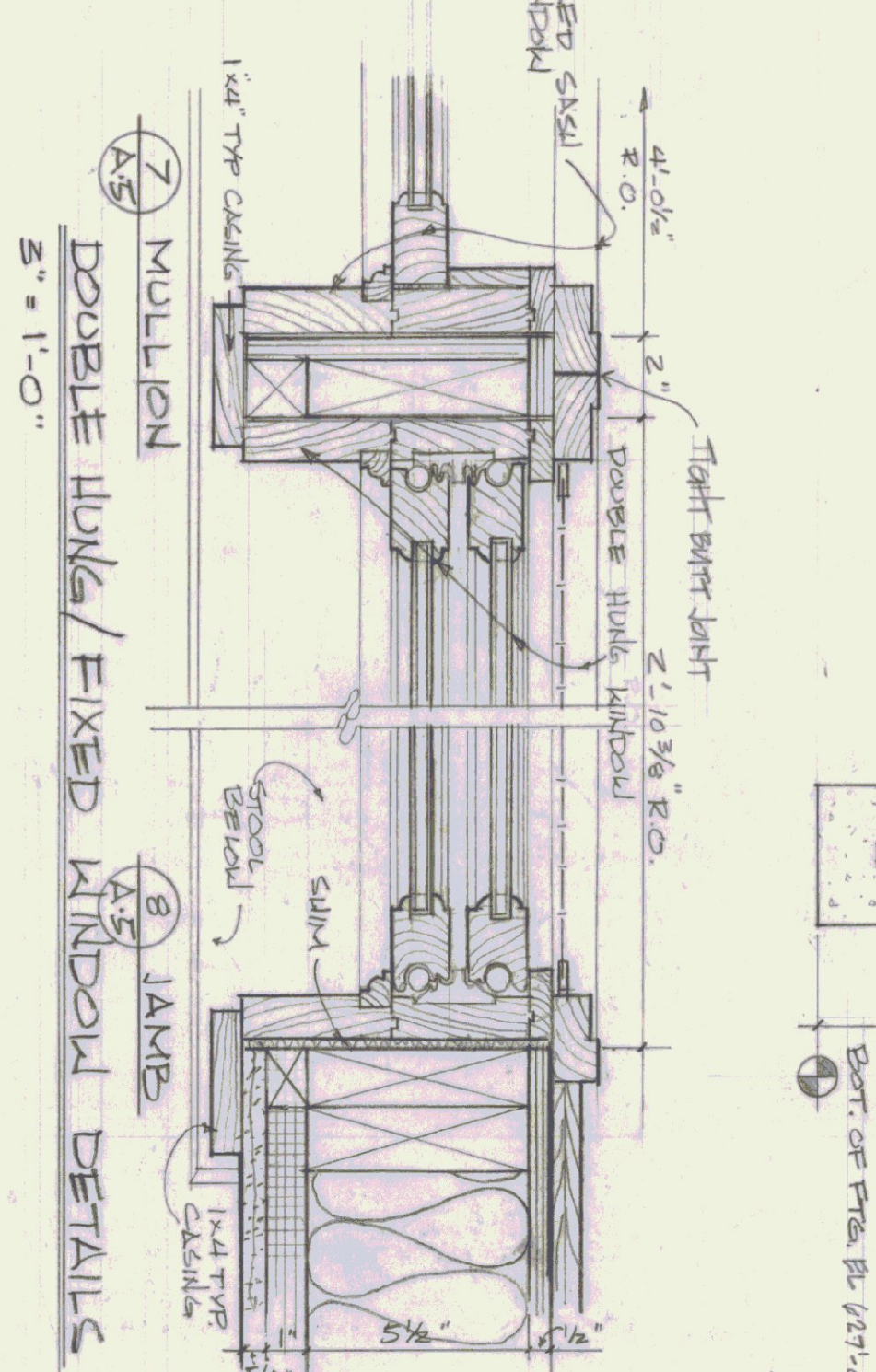
SECTION 2 GABLE LOWER
3/8" = 1'-0"



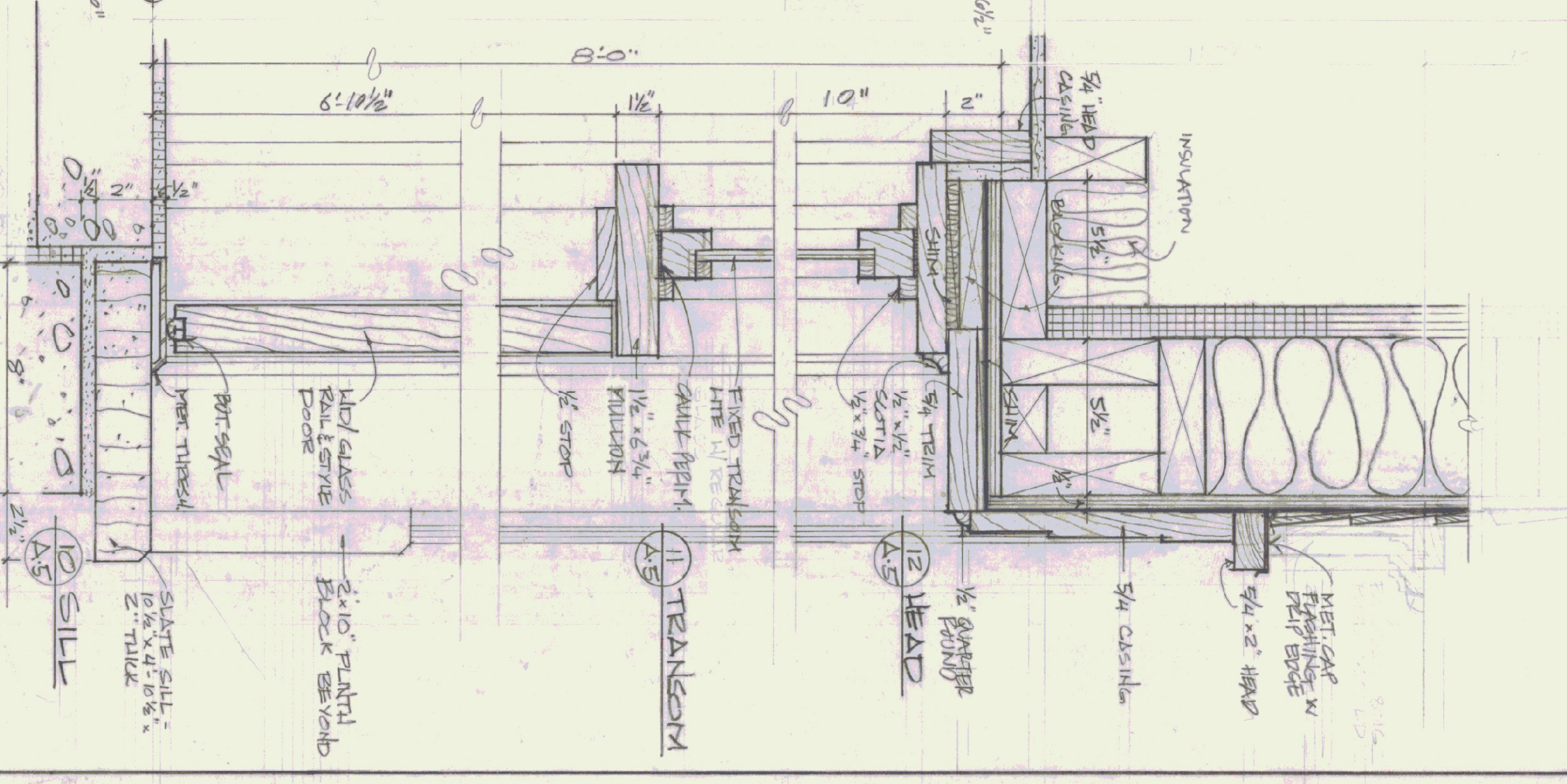
DOUBLE HUNG WINDOW DETAILS
3/8" = 1'-0"



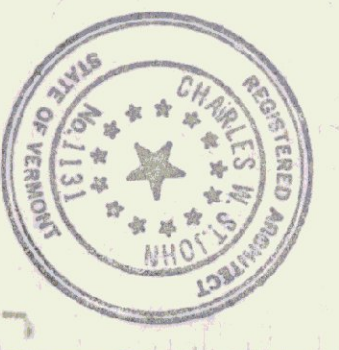
FIXED WINDOW DETAILS
3/8" = 1'-0"



DOUBLE MULLION / FIXED WINDOW DETAILS
3/8" = 1'-0"



EXTERIOR DOOR DETAILS
3/8" = 1'-0"



STATE OF VERMONT DIVISION OF STATE BUILDINGS AGENCY OF ADMINISTRATION MONTPELIER, VERMONT	
SECTIONS AND DETAILS NEW TERMINAL BUILDING MORRISVILLE / STONE STATE AIRPORT MORRISVILLE VERMONT	
DATE: JUNE 9, 1968	SCALE: AS NOTED
DRAWN BY: S. REMICK	APPROVED BY: CWS
DWG. NO. A. 5	REVISIONS:
7 OF 18	