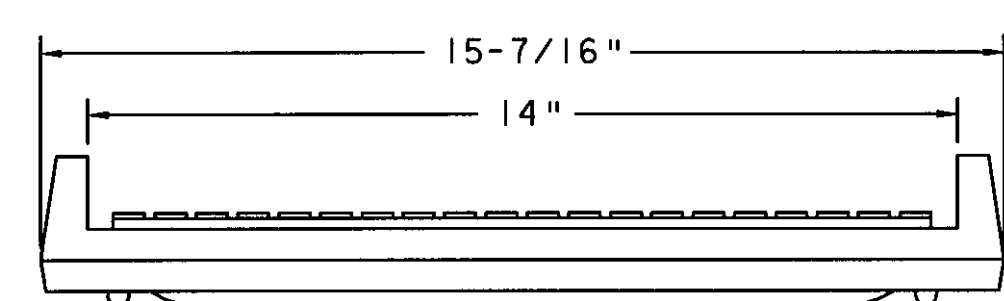
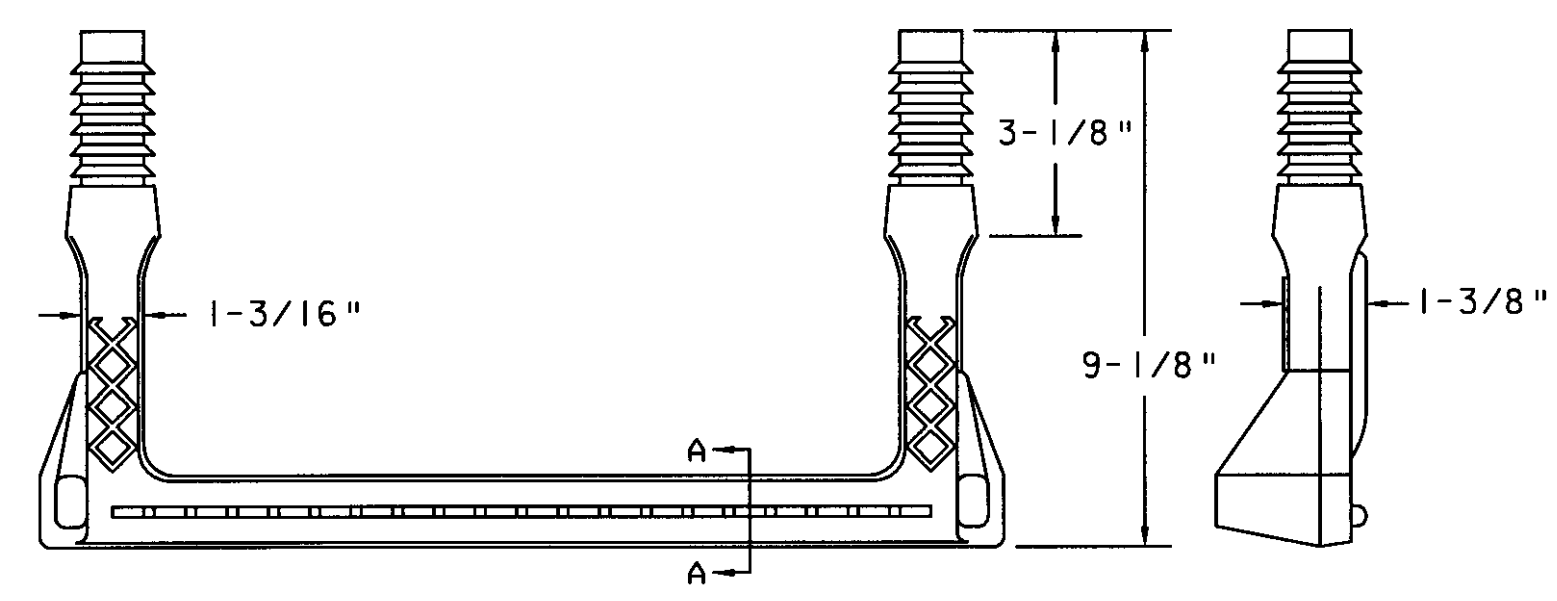
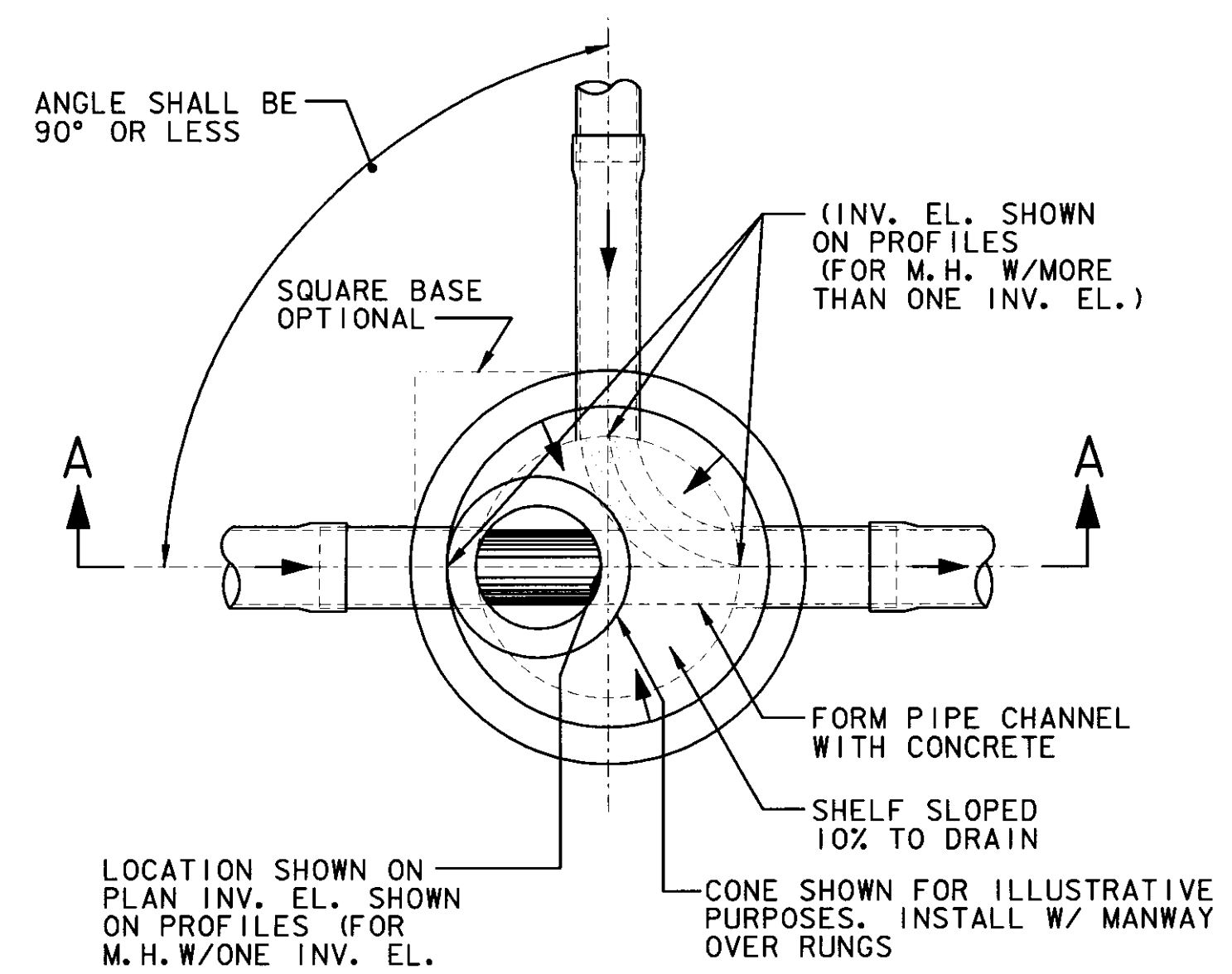
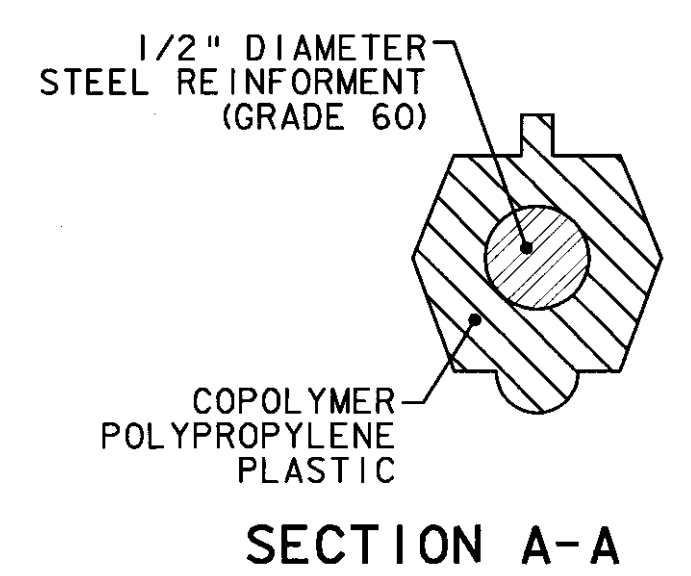
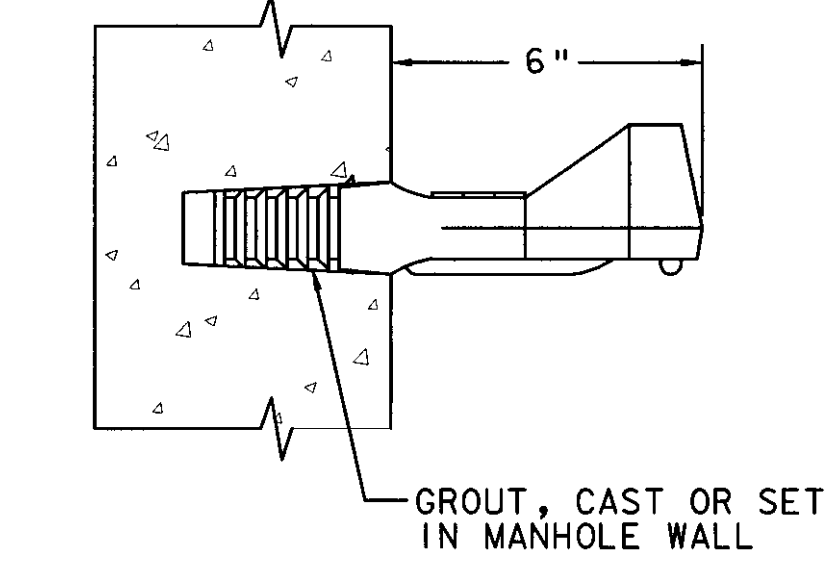


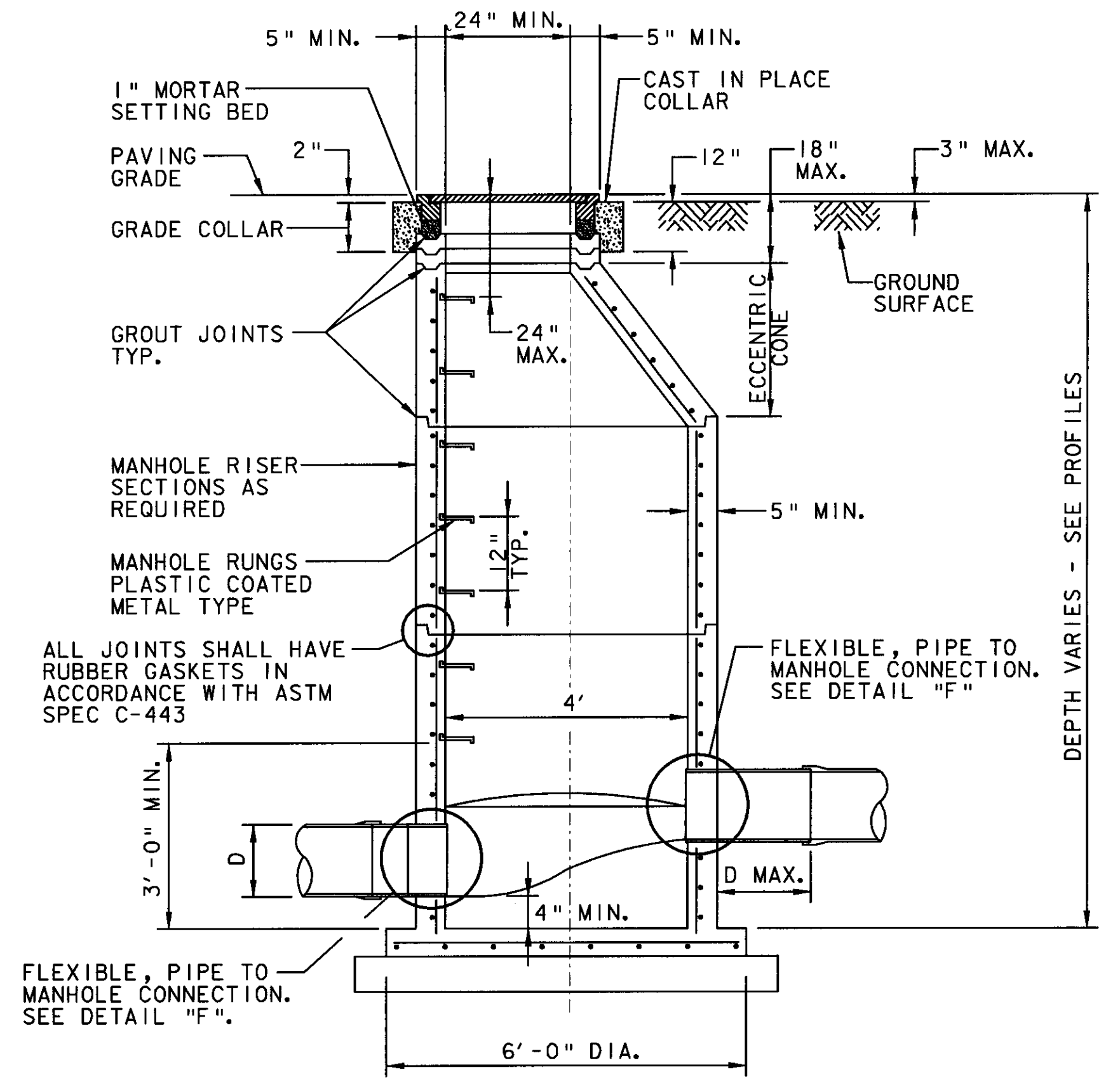
**SEWERLINE PROFILE**



**G**  
**3** **MANHOLE RUNGS**  
SCALE: N. T. S.

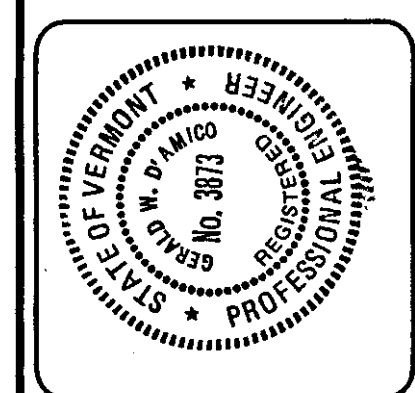


- NOTE:
1. ACTUAL MANHOLE COVER AND RING DIMENSIONS TO BE OBTAINED FROM MANHOLE COVER AND RING VENDOR DRAWINGS.
  2. SEE NOTES ON SHEET 1.
  3. MANHOLE EXTERIOR AND JOINTS TO BE WATERPROOFED.
  4. PRECAST REINFORCED CONCRETE MANHOLE SECTIONS SHALL CONFORM TO ASTM C478.
  5. MANHOLE FRAMES & COVERS SHALL BE GREY IRON, ASTM A48, CLASS 30B COMPLYING WITH REQUIREMENTS OF FS RR-F-621. USE NEENAH R-1642-1 OR EQUAL. THE WORD "SANITARY SEWER" SHALL BE CAST INTO THE COVER.



**E**  
**3** **MANHOLE TYPE A**  
SCALE: N. T. S.

**F**  
**3** **PIPE TO MANHOLE CONNECTION**



REV.	DATE	DESCRIPTION	FILE NO.
			SEWER-3.DGN
			F200001718.01

**EDWARD F. KNAPP STATE AIRPORT**  
BERLIN, VERMONT

SEWERLINE - DETAILS

**URS**  
ONE NORTHWAY LANE  
LATHAM, NEW YORK

Designed by: GND  
Drawn by: MMH  
Checked by: PS  
Approved by: GND

Scale: AS NOTED  
Date: 3/21/01  
Sheet 3 of 4  
Sheet No. **3**