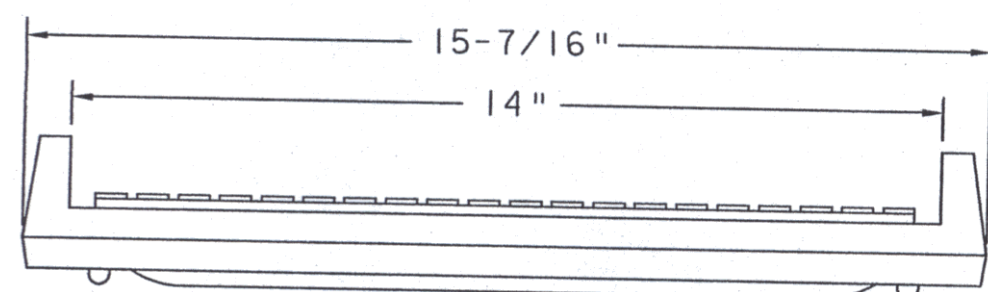
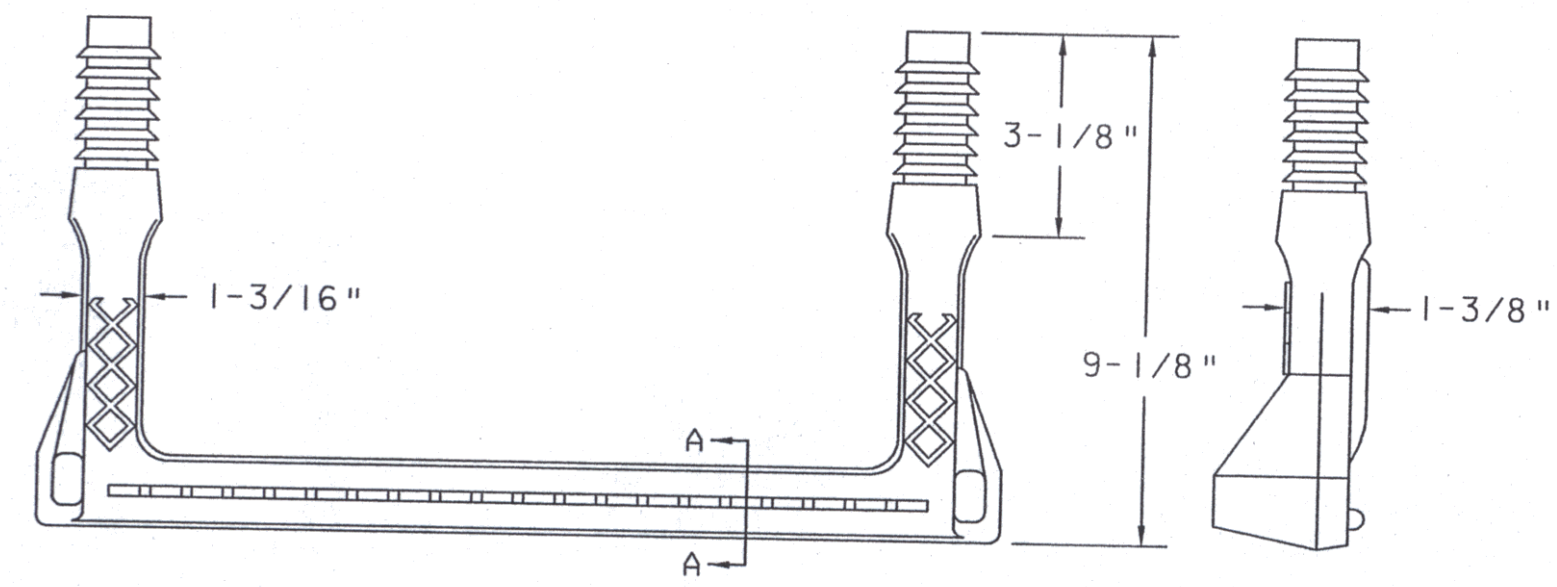
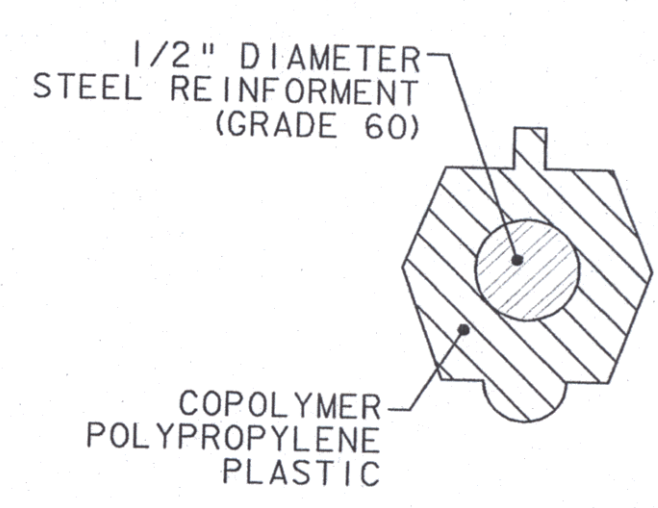
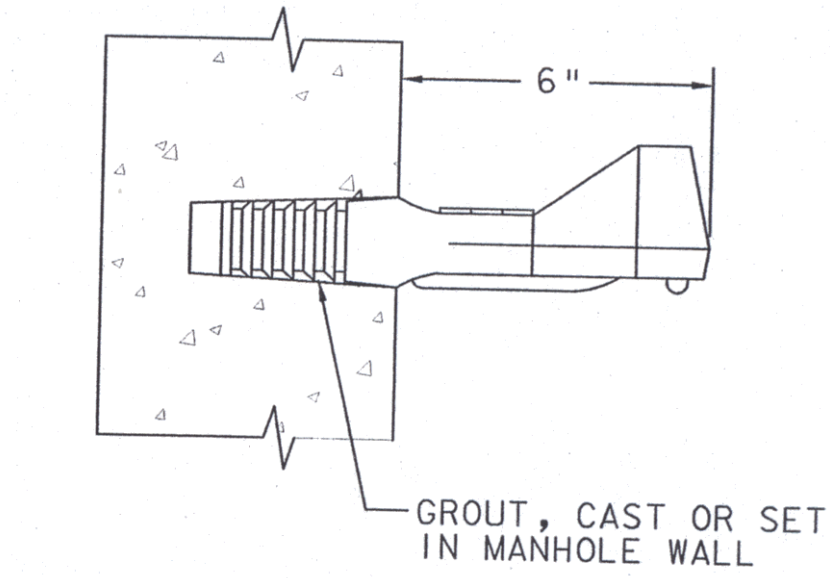


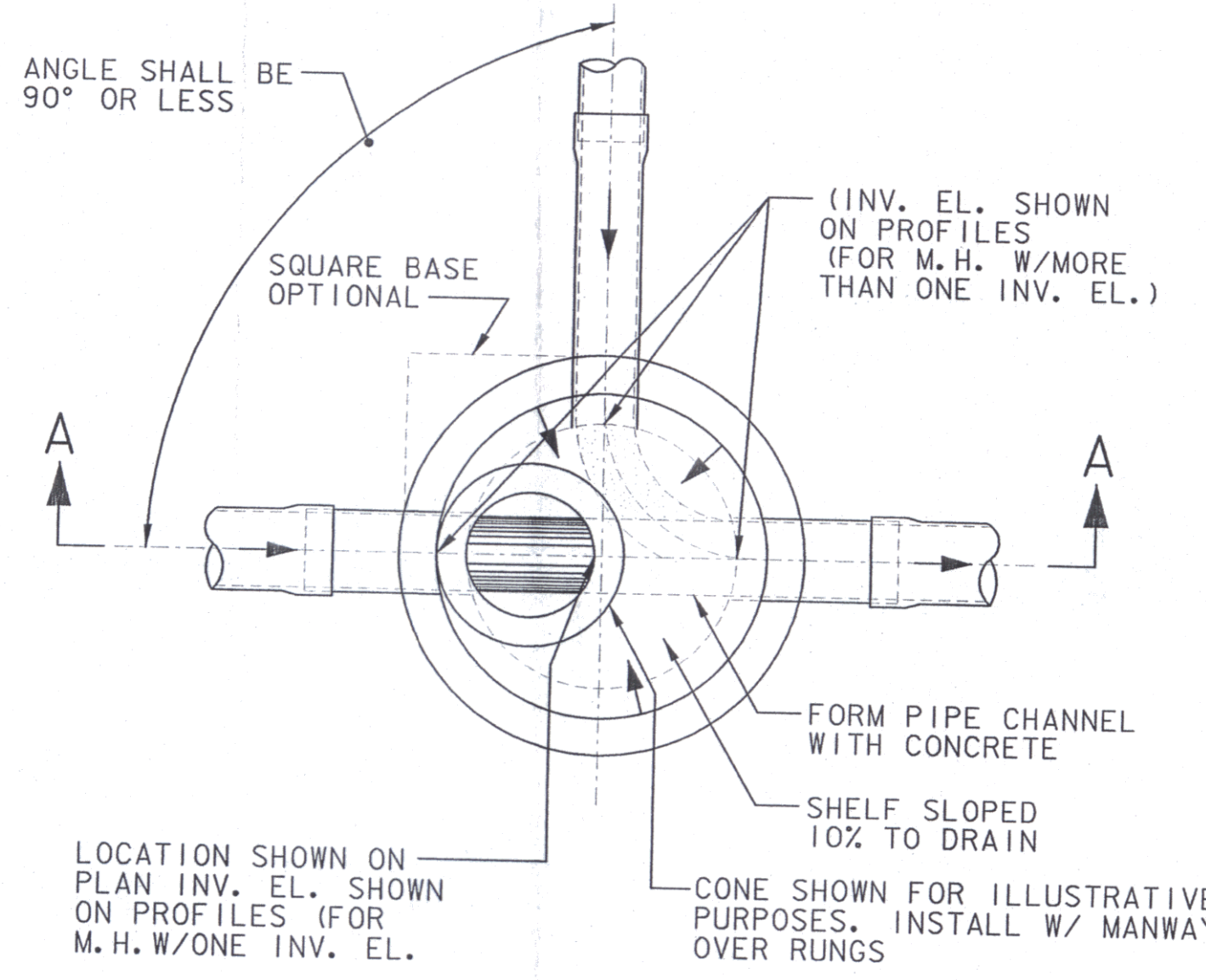
SEWERLINE PROFILE



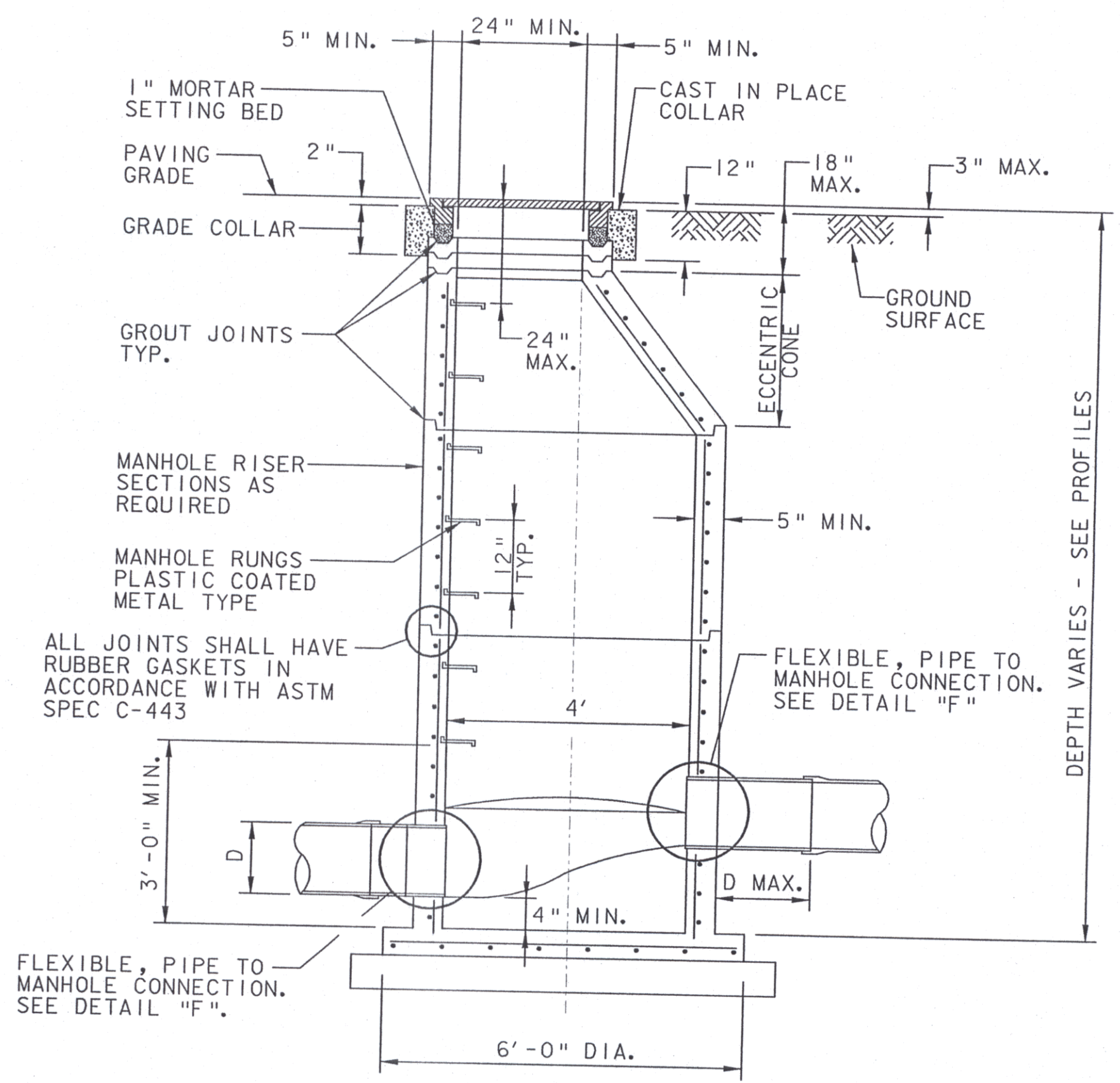
**G**  
**3** MANHOLE RUNGS  
SCALE: N. T. S.



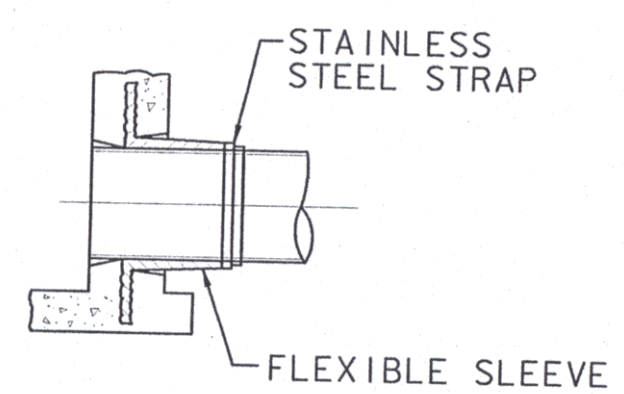
SECTION A-A



- NOTE:
1. ACTUAL MANHOLE COVER AND RING DIMENSIONS TO BE OBTAINED FROM MANHOLE COVER AND RING VENDOR DRAWINGS.
  2. SEE NOTES ON SHEET 1.
  3. MANHOLE EXTERIOR AND JOINTS TO BE WATERPROOFED.
  4. PRECAST REINFORCED CONCRETE MANHOLE SECTIONS SHALL CONFORM TO ASTM C478.
  5. MANHOLE FRAMES & COVERS SHALL BE GREY IRON, ASTM A48, CLASS 30B COMPLYING WITH REQUIREMENTS OF FS RR-F-621. USE NEENAH R-1642-1 OR EQUAL. THE WORD "SANITARY SEWER" SHALL BE CAST INTO THE COVER.



**E**  
**3** MANHOLE TYPE A  
SCALE: N. T. S.



**F**  
**3** PIPE TO MANHOLE CONNECTION

EDWARD F. KNAPP STATE AIRPORT BERLIN, VERMONT		SEWERLINE - DETAILS
DESIGNED BY: GWD	DRAWN BY: MMM	CHECKED BY: PS
APPROVED BY: GWD	DATE: 6/13/01	SHEET 3 OF 4
SCALE: AS NOTED	FILE NO. SEWER-3DGN	JOB NO. F200001718.01