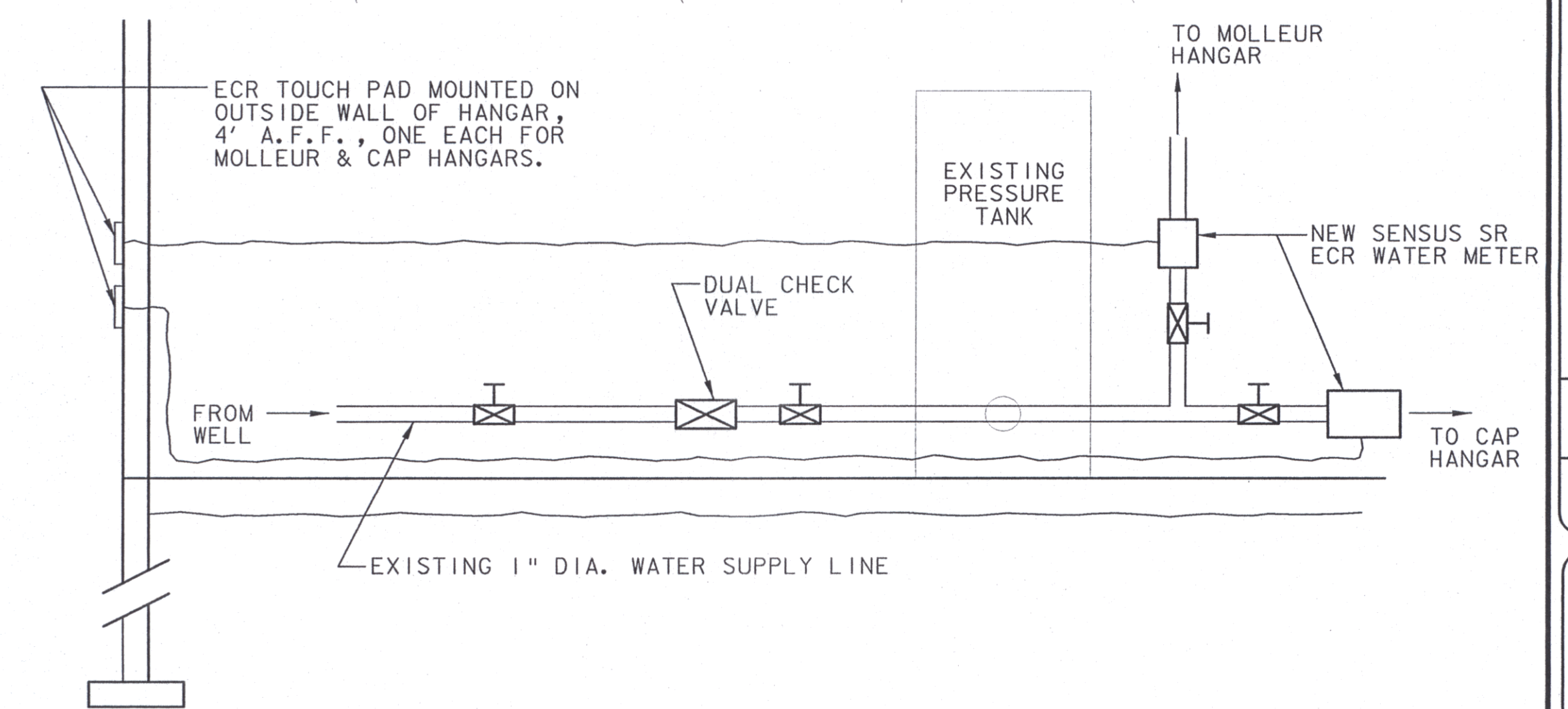
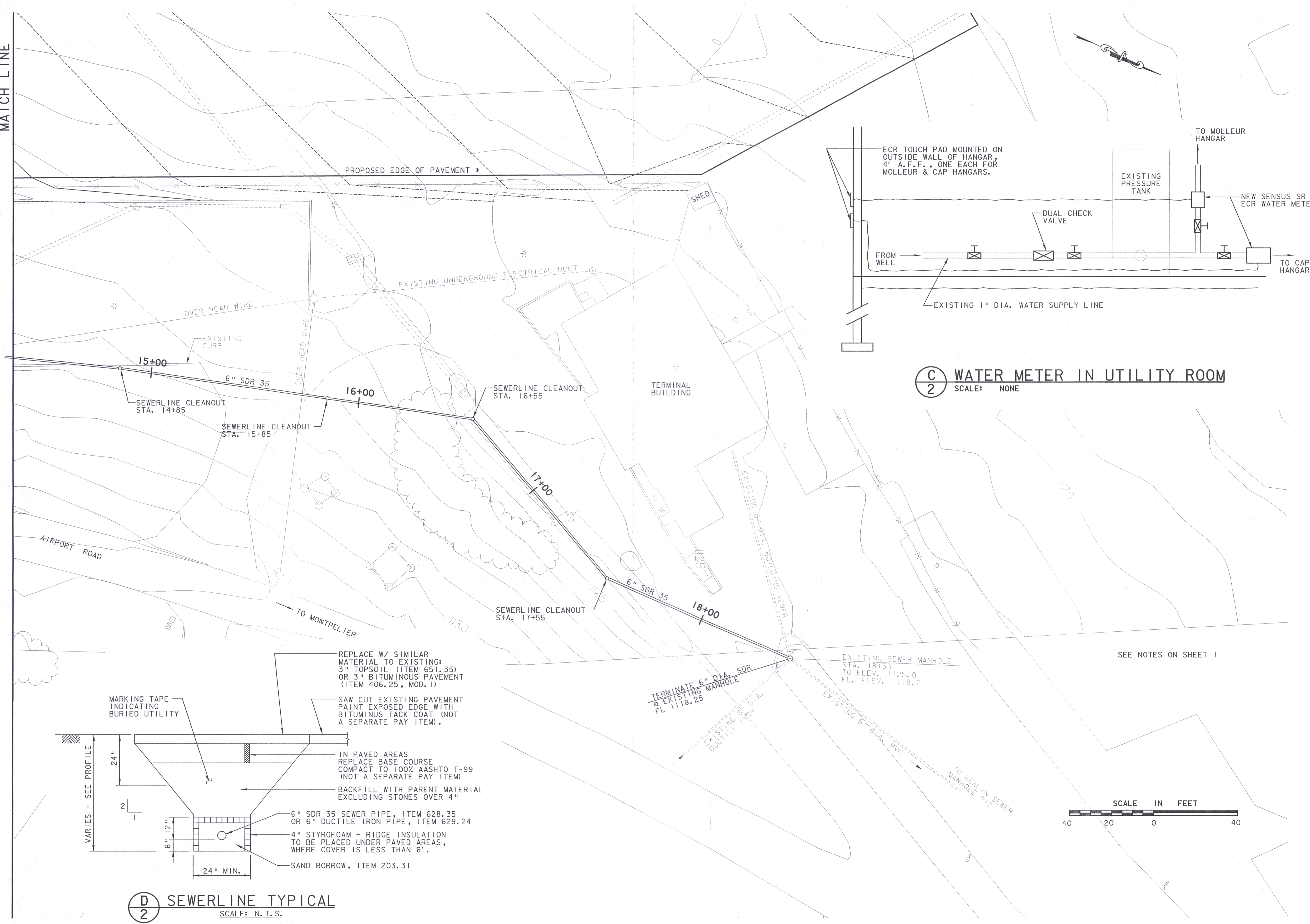
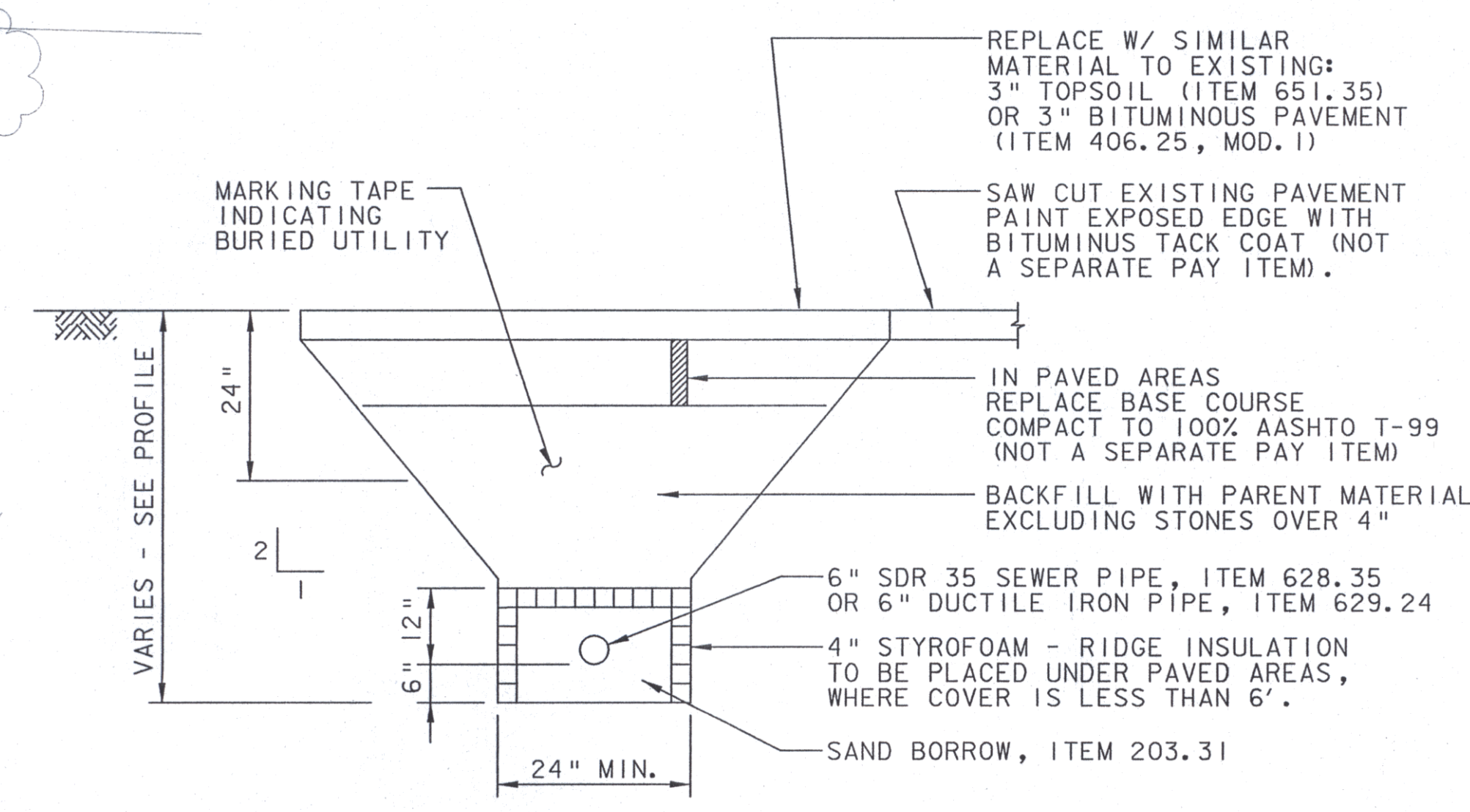


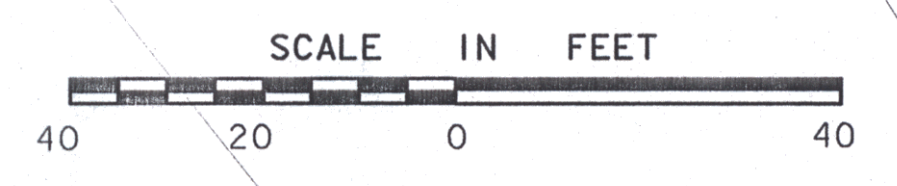
MATCH LINE



**(C)** WATER METER IN UTILITY ROOM  
 2 SCALE: NONE



**(D)** SEWERLINE TYPICAL  
 SCALE: N. T. S.



SEE NOTES ON SHEET 1

REV.	DATE	DESCRIPTION

Job No. F200001718.01  
 File No. SEWER-2.DGN

**EDWARD F. KNAPP STATE AIRPORT**  
 BERLIN, VERMONT

SEWERLINE - EXTENSION PLAN

**URS**  
 ONE NORTHWAY LANE  
 LATHAM, NEW YORK

Designed by: GWD  
 Drawn by: MMM  
 Checked by: PS  
 Approved by: GWD

Scale: 1" = 20'  
 Date: 6/13/01  
 Sheet 2 of -  
 Sheet No. **2**