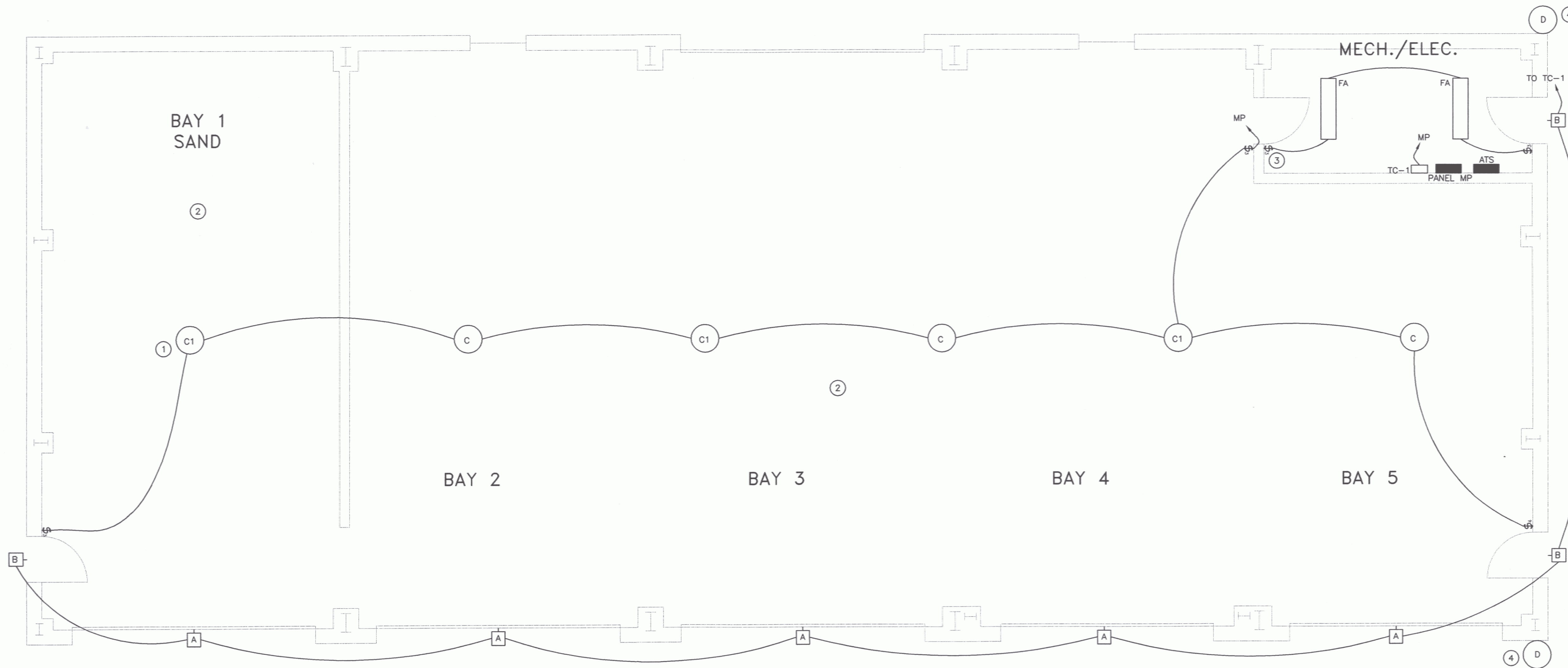
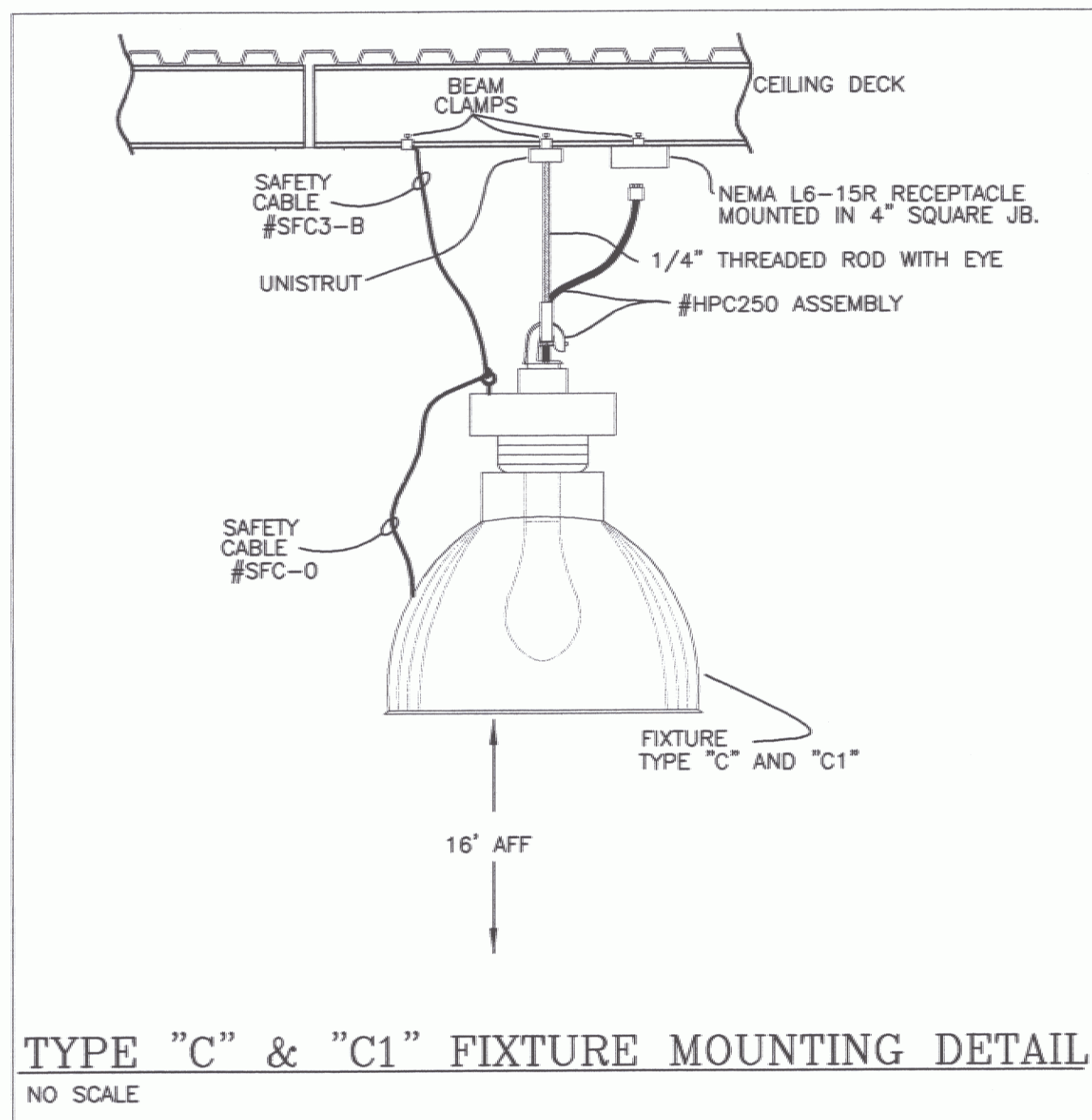


PROGRESS PRINTS 12/21/05  
NOT FOR CONSTRUCTION



- KEYED NOTES:**
- ① MOUNT THIS FIXTURE TIGHT TO STRUCTURE.
  - ② ALL WIRING IN THIS AREA SHALL CONFORM TO NEC ARTICLE #513. ALL RECEPTACLES SHALL BE MOUNTED AT 20" AFF.
  - ③ CONNECT LIGHTING TO RECEPTACLE CIRCUIT IN THIS ROOM.
  - ④ BUILDING MARKER LIGHTS, WIRE TO UNSWITCHED DEDICATED CIRCUIT.

**ELECTRICAL LIGHTING PLAN**  
SCALE: 1/4" = 1'-0"  
HORIZONTAL SCALE IN FEET



| LIGHTING FIXTURE SCHEDULE |  |                    |                                |                                     |
|---------------------------|--|--------------------|--------------------------------|-------------------------------------|
| TYPE                      | MANUFACTURER & MODEL                     | MOUNTING           | LAMPS                          | REMARKS                             |
| A                         | RUUD MACW410-1P                          | SURFACE WALL MOUNT | (1)-100W MH                    | WITH PHOTOCELL MOUNT AT 15' AFF     |
| B                         | RUUD E4405-1P-J-V                        | SURFACE            | (1)-50W MH                     | WITH PHOTOCELL MOUNT OVER DOORS     |
| C                         | GE V2G-25P0A-4EA5 SFC-0 SFC3-B HCP250    | PENDANT            | (1)-250W MH COATED PULSE START | MOUNT AT 16' AFF PULSE START        |
| C1                        | GE V2G-25P0A-4EA50 SFC-0 SFC3-B HCP250   | PENDANT            | (1)-250W MH COATED PULSE START | SAME AS ABOVE WITH QUARTZ RE-STRIKE |
| D                         | BUILDING MARKER LIGHT TO BE DETERMINED   | SURFACE            |                                |                                     |
| FA                        | METALUX DIM-232-120-EB81                 | CHAIN HUNG         | (2)-F032TB 3500 K              | WITH WIRE GUARDS                    |
| EF-1                      | EXHAUST FAN - PROVIDED & INSTALLED BY MC |                    |                                | WIRING BY EC                        |

**PEARSON & ASSOCIATES**  
 MECHANICAL & ELECTRICAL ENGINEERS  
 P.O. BOX 610 STOWE, VERMONT 05672  
 TEL. (802) 253-9607 FAX. (802) 253-9290  
 EMAIL: pearson@stovetv.net

STATE OF VERMONT  
 Department of Buildings and General Services  
 Agency of Administration  
 Montpelier, Vermont

AGENCY OF TRANSPORTATION  
 NEW SNOW REMOVAL EQUIPMENT BUILDING AT THE CLARENDON AOT GARAGE  
 CLARENDON VERMONT

REVISIONS  
 SCALE: AS SHOWN  
 DATE: SEPT 2005  
 DRAWN BY: ASG  
 APPR. BY: EEP

AGENCY OF TRANSPORTATION  
 SNOW REMOVAL EQUIPMENT BUILDING  
 LIGHTING PLAN