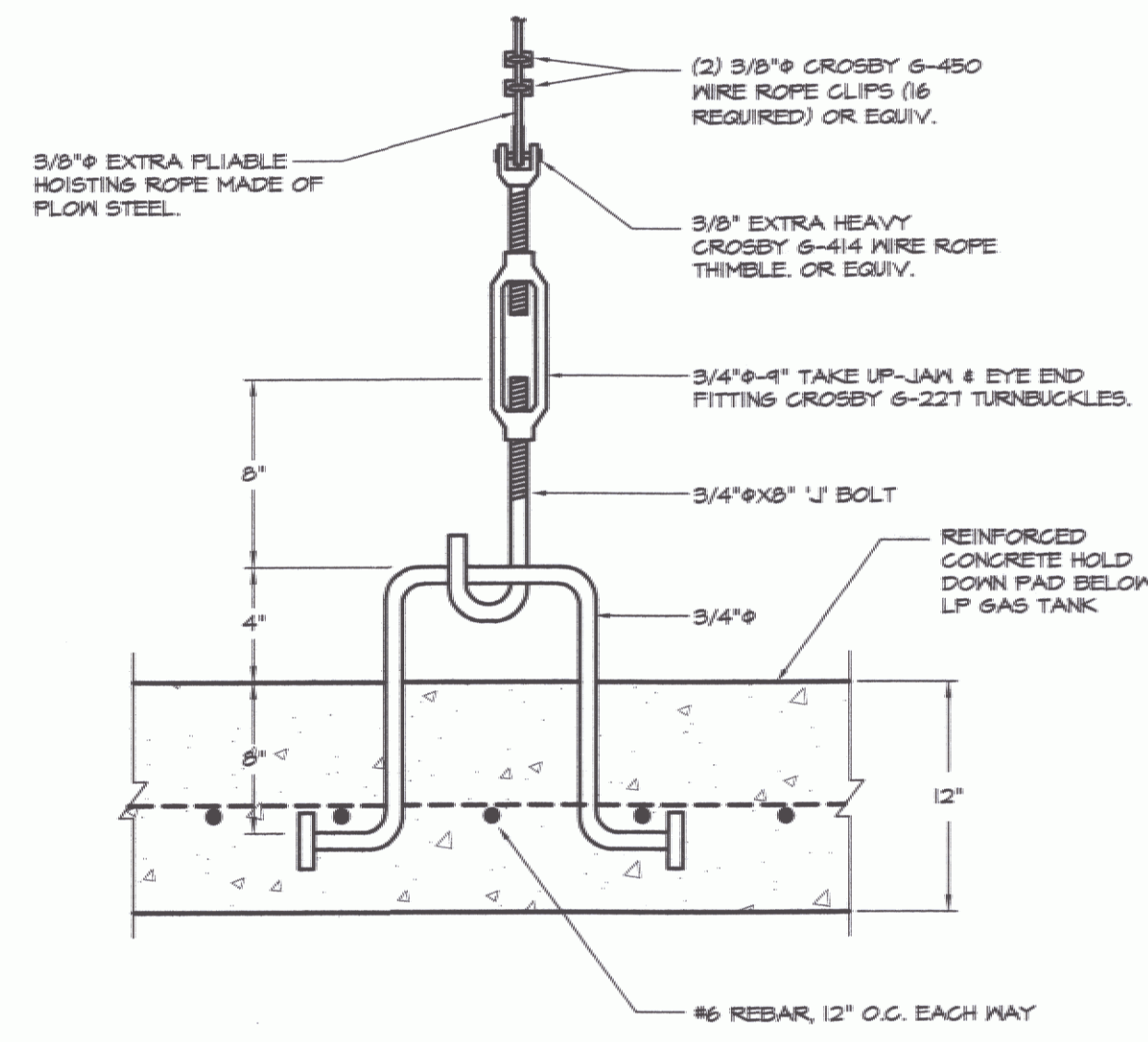
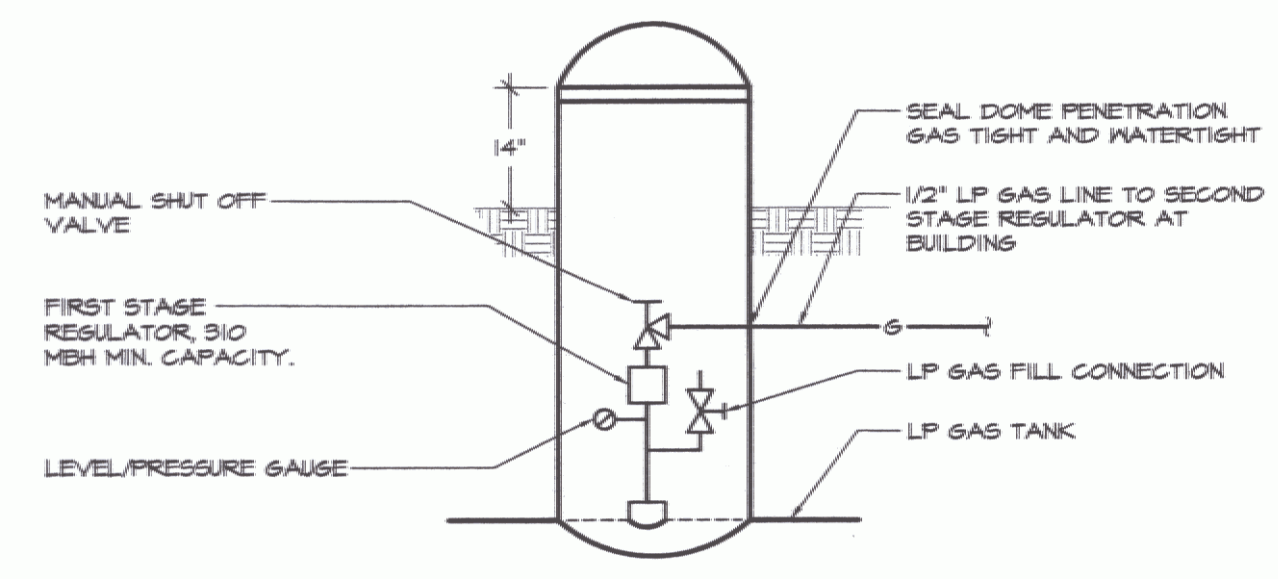


**MECHANICAL LEGEND AND ABBREVIATIONS**

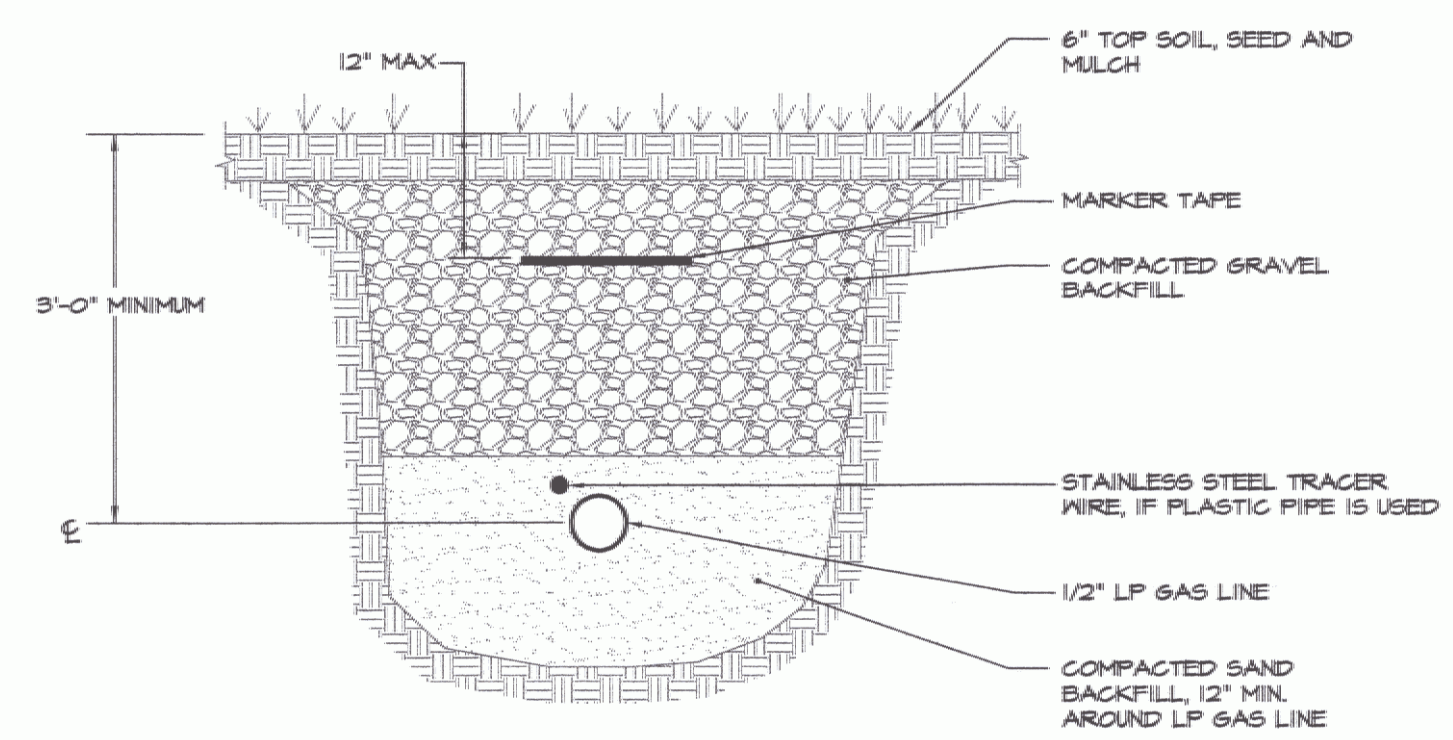
- NEW DUCTWORK
- RETURN DUCT DOWN
- EXHAUST FAN
- M.D. MOTORIZED DAMPER
- HWS HOT WATER SUPPLY
- HWR HOT WATER RETURN
- LP GAS PIPING
- IN-LINE PUMP
- PIPE UNION
- PIPE RISER
- PIPE DROP
- PIPE CAP
- BOTTOM PIPE CONNECTION
- TOP PIPE CONNECTION
- BALL VALVE
- CHECK VALVE
- BALANCING VALVE
- DRAIN VALVE
- BACK FLOW PREVENTER
- STRAINER W/ BLOW DOWN VALVE
- 2-WAY VALVE
- 3-WAY VALVE
- AIR VENT
- PRESSURE GAUGE
- TEMPERATURE SENSOR
- PRESSURE RELIEF VALVE (PRV)
- TEMPERATURE GAUGE
- LP GAS REGULATOR
- THERMOSTAT, SUBSCRIPTS, E = 120V ELECTRIC, # = ZONE
- AIR FLOW INDICATOR
- A.F.F. ABOVE FINISHED FLOOR
- B.D.D. BACK DRAFT DAMPER
- M.C. MECHANICAL CONTRACTOR
- P.C. PLUMBING CONTRACTOR
- E.C. ELECTRICAL CONTRACTOR
- G.C. GENERAL CONTRACTOR
- SECTION NUMBER
- DWS NUMBER
- EXHAUST FAN
- LOUVER
- RADIANT HEATING SYSTEM HEADER
- DRAWING NOTE TAG
- PUMP TAG
- EQUIPMENT TAG



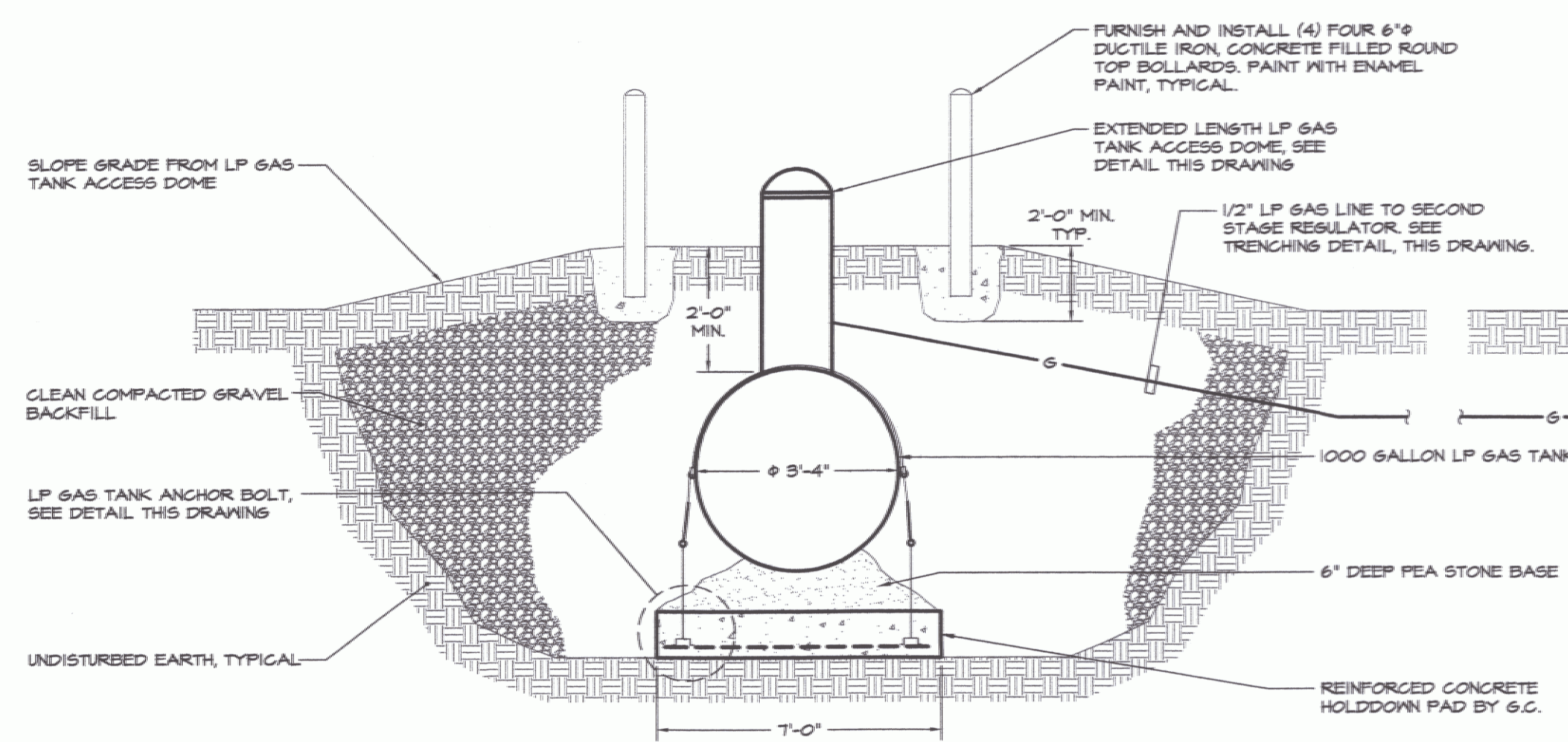
**TANK ANCHOR BOLT DETAIL**  
NOT TO SCALE



**LP GAS TANK ACCESS DOME DETAIL**  
NOT TO SCALE

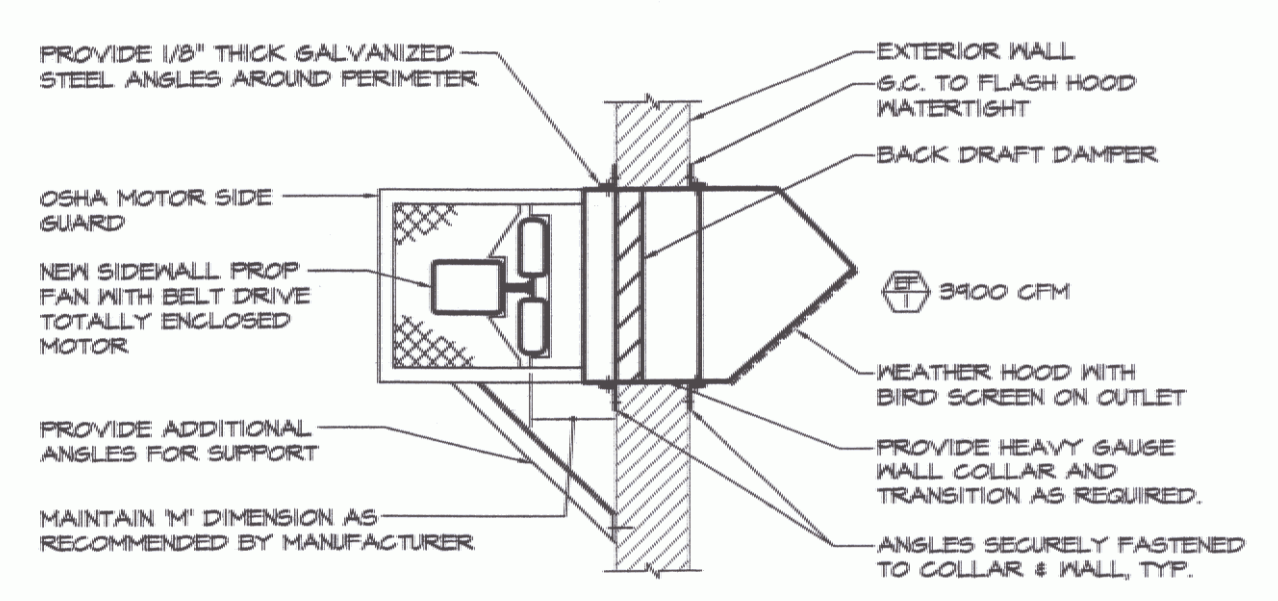
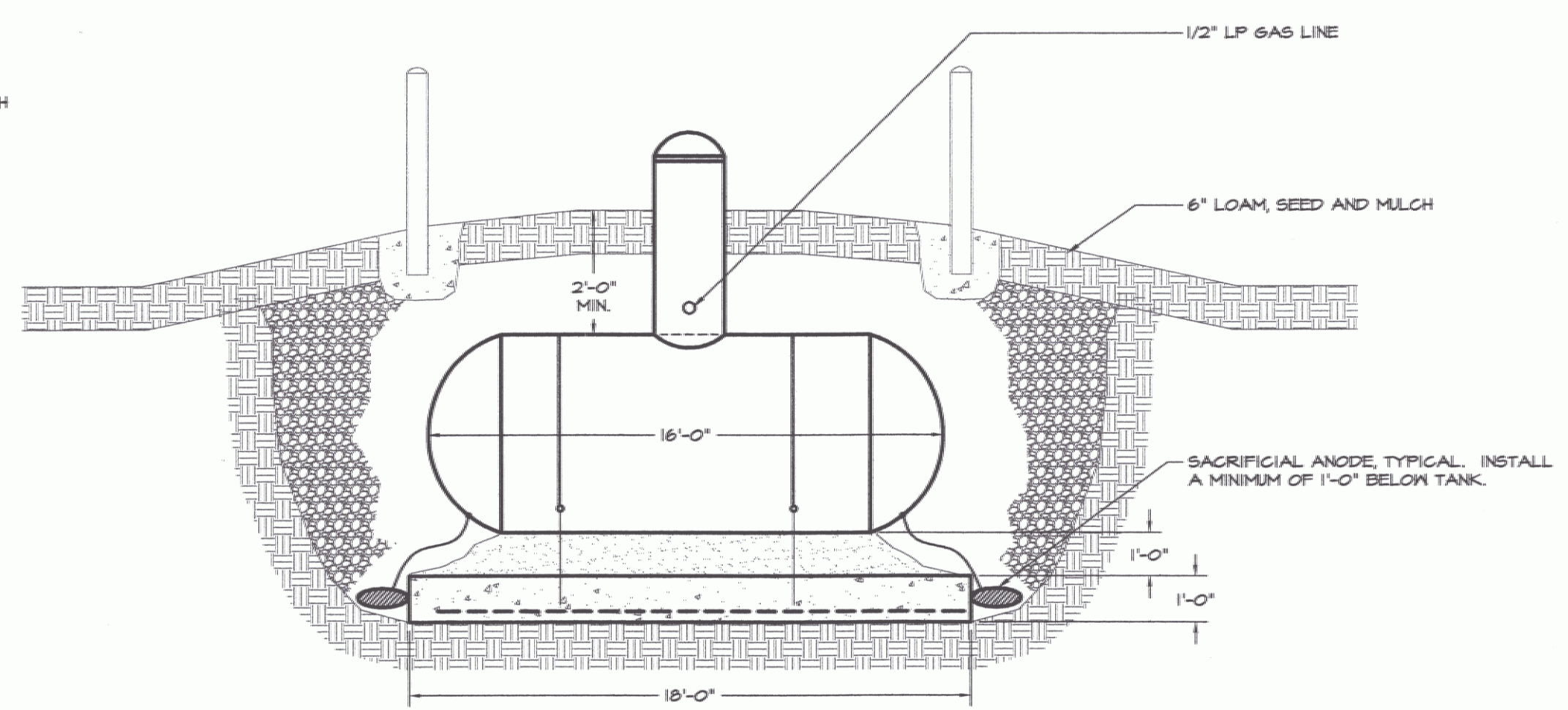


**LP GAS SUPPLY PIPE TRENCHING DETAIL**  
NOT TO SCALE

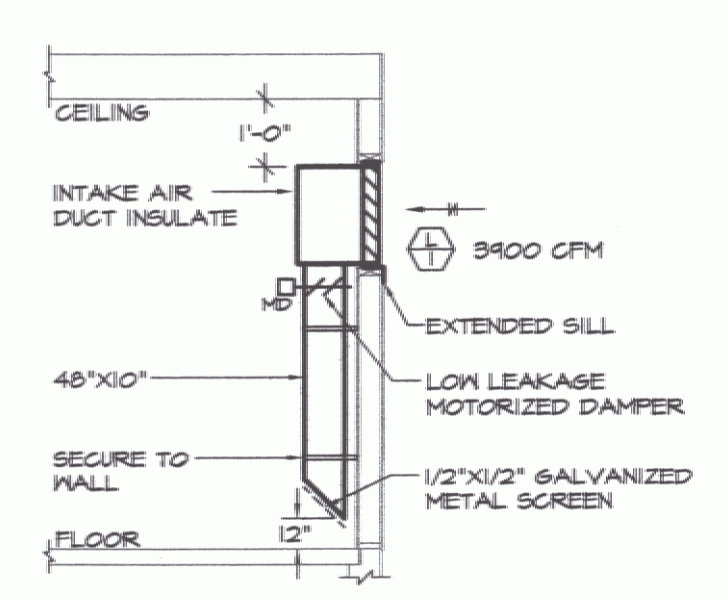


**UNDERGROUND LP GAS TANK DETAILS**  
NOT TO SCALE

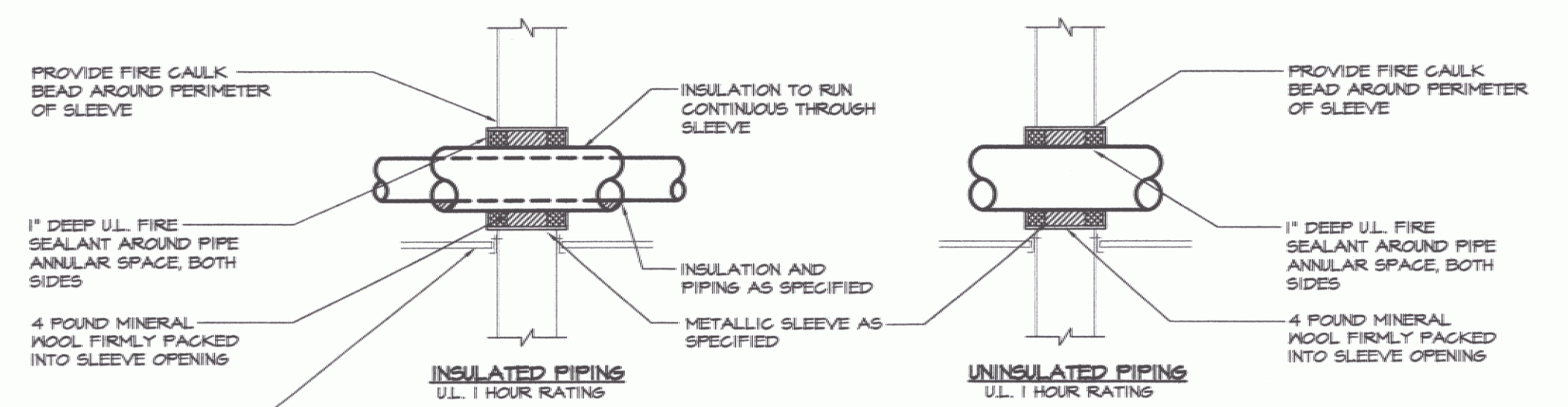
NOTE: TANK, REGULATORS, PIPING AND ACCESSORIES, INCLUDING FIRST AND SECOND STAGE REGULATORS, TO BE FURNISHED AND INSTALLED BY THIS CONTRACTOR. COORDINATE WITH G.C. FOR REQUIRED FOR REQUIRED EXCAVATION AND BACKFILL.



**SIDEWALL EXHAUST FAN DETAIL**  
NOT TO SCALE



**INTAKE LOUVER DETAIL**  
NOT TO SCALE



**WALL PIPE PENETRATION DETAILS**  
NOT TO SCALE

NOTE:  
1) FOLLOW FIRE SEALANT MANUFACTURER'S WRITTEN INSTALLATION INSTRUCTIONS IN CONJUNCTION WITH REQUIREMENTS AS DETAILED.  
2) ALL WALL PIPE PENETRATIONS SHALL BE INSTALLED PER THIS DETAIL.  
3) DETAIL BASED ON STI "SPEC-SEAL" FIRE STOPPING PRODUCTS, ALTERNATE MANUFACTURER'S INSTALLATION REQUIREMENTS MAY VARY.  
4) PENETRATIONS OF BOILER ROOM CEILING SHALL BE INSTALLED SIMILAR TO THIS DETAIL.

NO.	CONSTRUCTION	11/17/05
	ISSUED FOR	DATE

**LANE ASSOCIATES**  
CONSULTING ENGINEERS, P.C.

HEATING, VENTILATION, & AIR CONDITIONING, PLUMBING, FIRE PROTECTION, & ELECTRICAL

CHARLES F. LANE, P.E.  
DANIEL W. DUPRAS, P.E.

51 KILLINGTON AVENUE,  
RUTLAND, VERMONT 05701  
TELEPHONE: (802)747-3346  
FAX/MODEM: (802)747-3356

<b>MECHANICAL DETAILS &amp; LEGEND</b>					<b>M 3</b>
NEW EQUIPMENT BUILDING CLARENDON AOT CLARENDON, VT					
APPR:	DWD	DRAWN:	DWD/GJT	SCALE:	AS NOTED
PROJ. NO.					0312-24

X:\031224\Drawings\Mech\031224M03.dwg, M3, 11/17/2005 8:31:14 AM, © LANE ASSOCIATES CONSULTING ENGINEERS PC, 2005

015