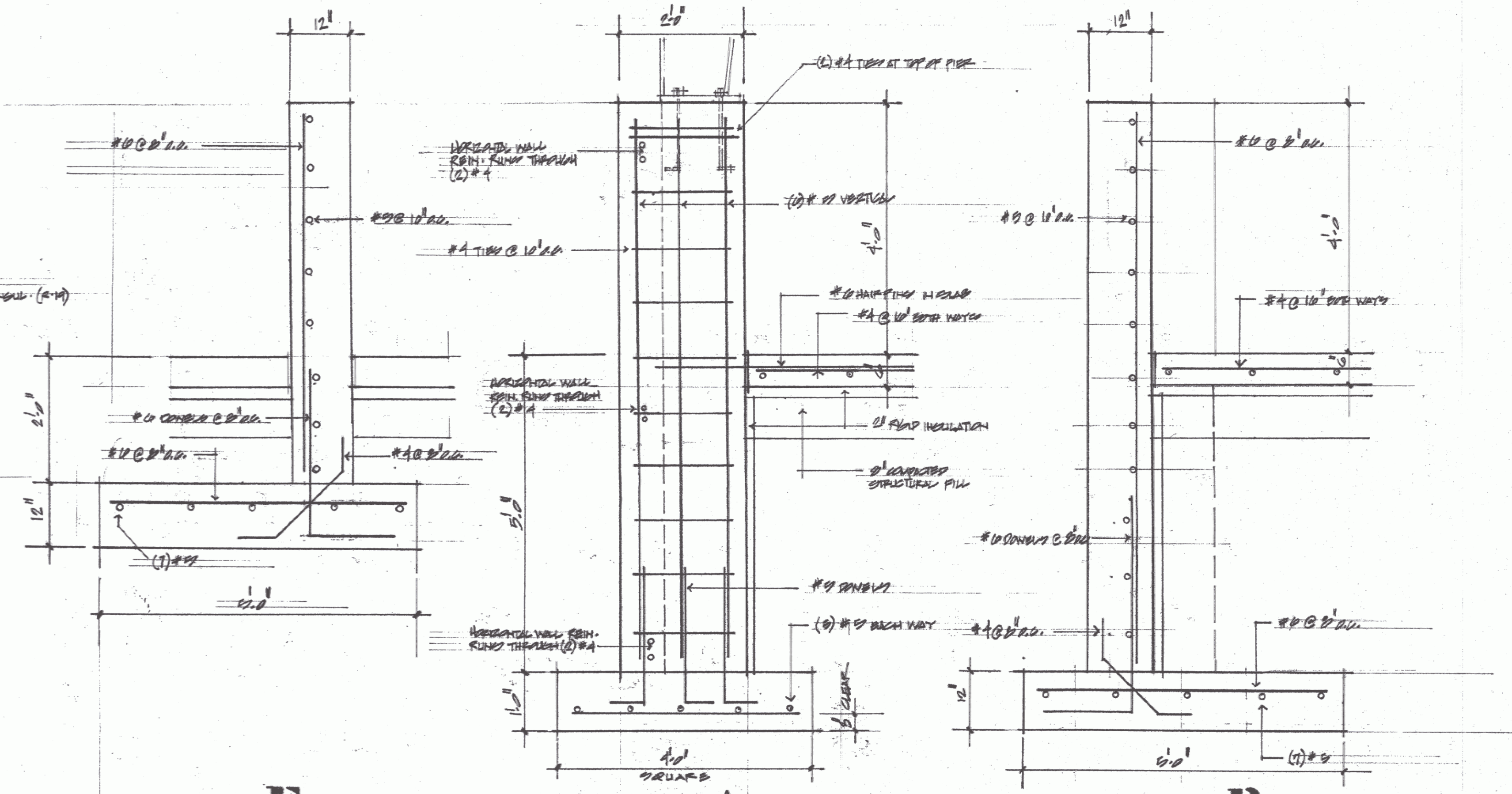


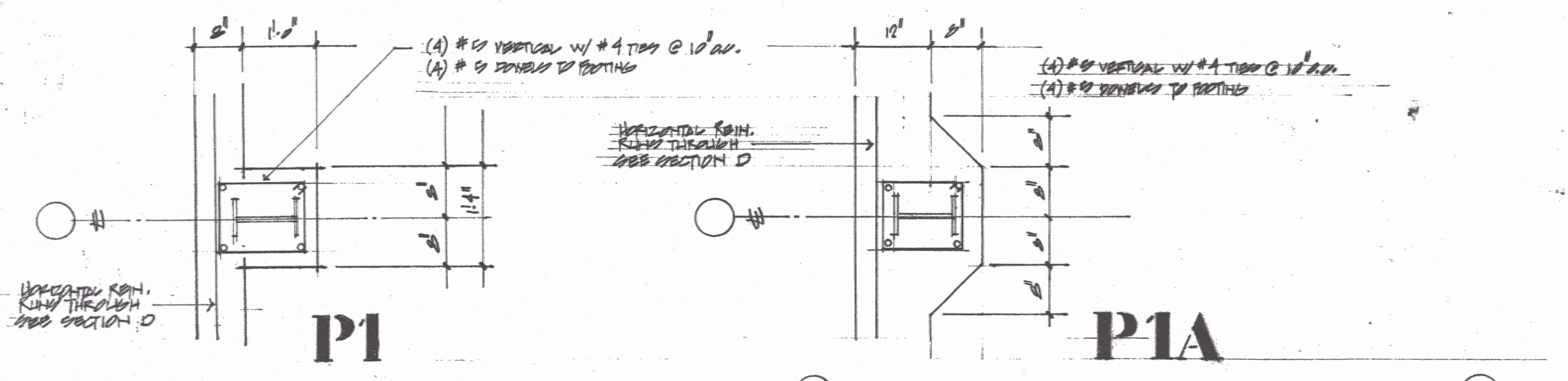
SECTION 1



SECTION E

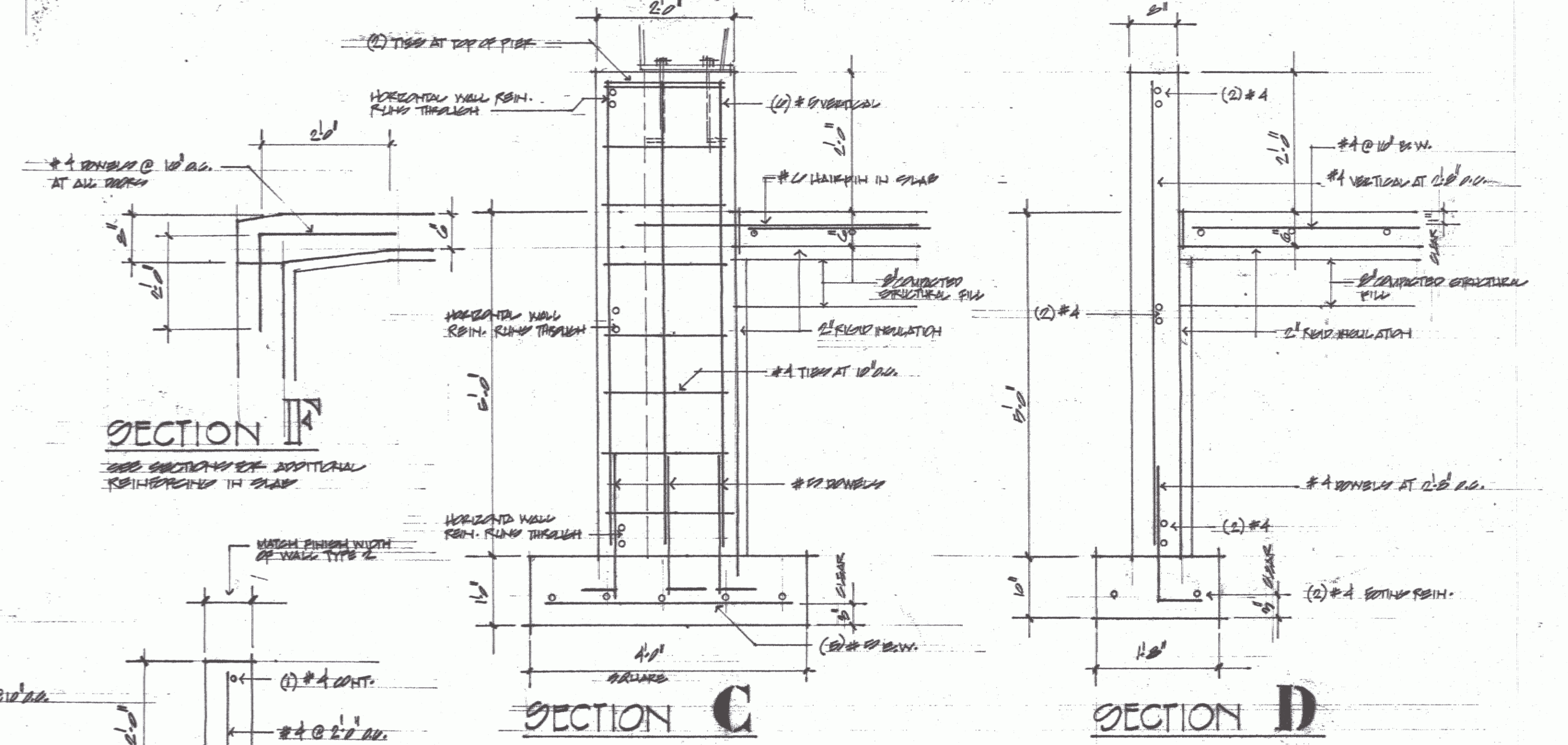
SECTION A

SECTION B



P1

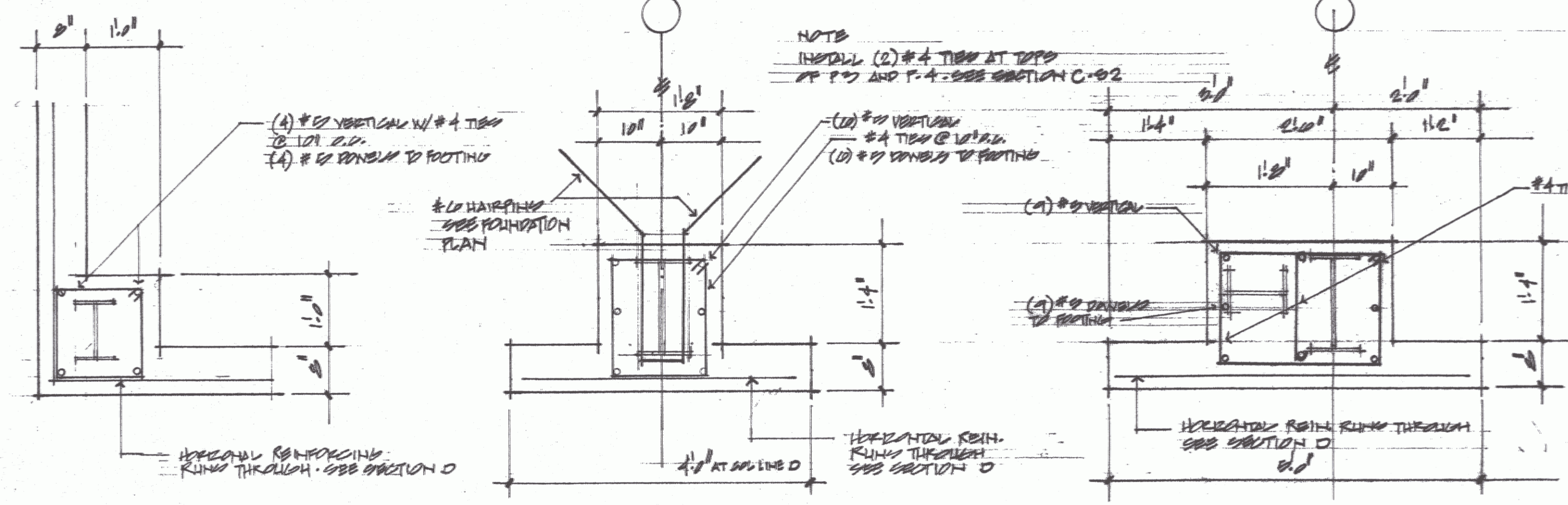
P1A



SECTION F

SECTION C

SECTION D

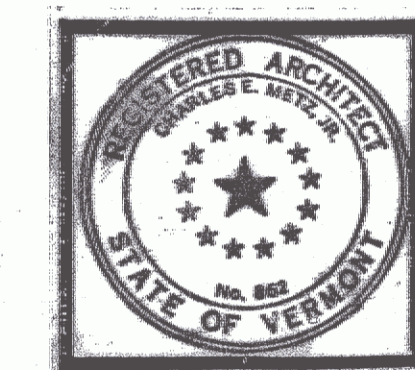


P2

P3

P4 WINDDRACE

SECTION G



PROJECT:
NEW SNOW REMOVAL EQUIPMENT BLDG
VERMONT AGENCY OF TRANSPORTATION
ROUTE 100, BRADFORD, VERMONT
TITLE:
SECTION A
FOUNDATION DETAILS

CHARLES E. METZ
ARCHITECT
THE GRIST MILL
BRADFORD VT 05033

DRAWING:
S2