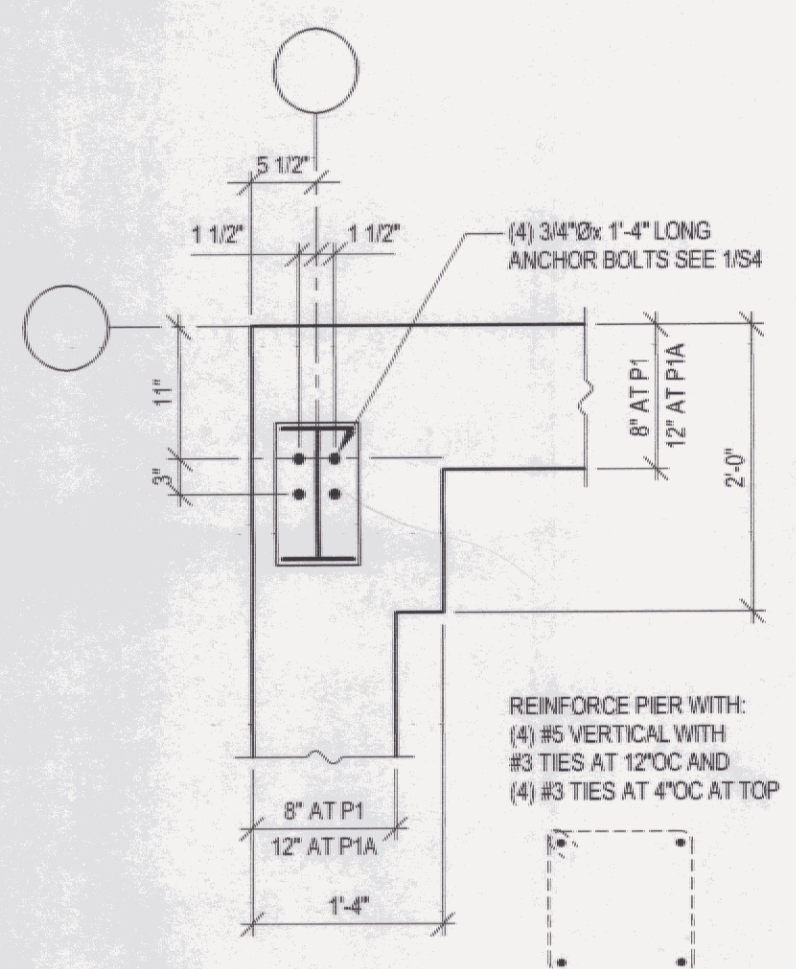
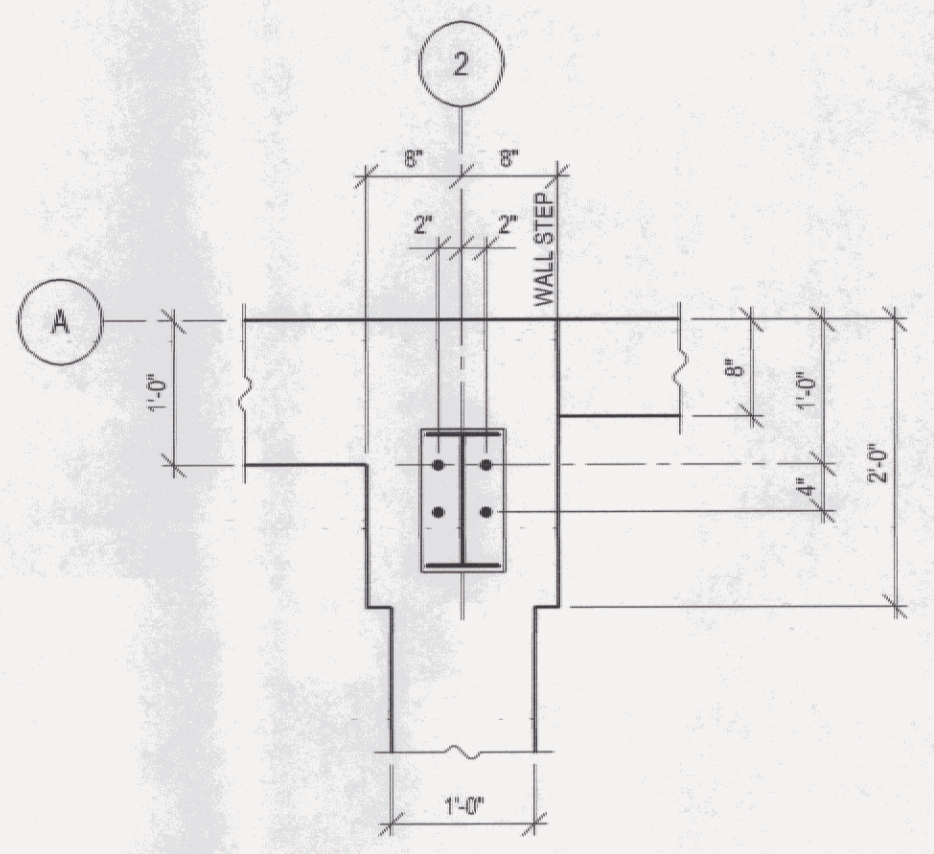




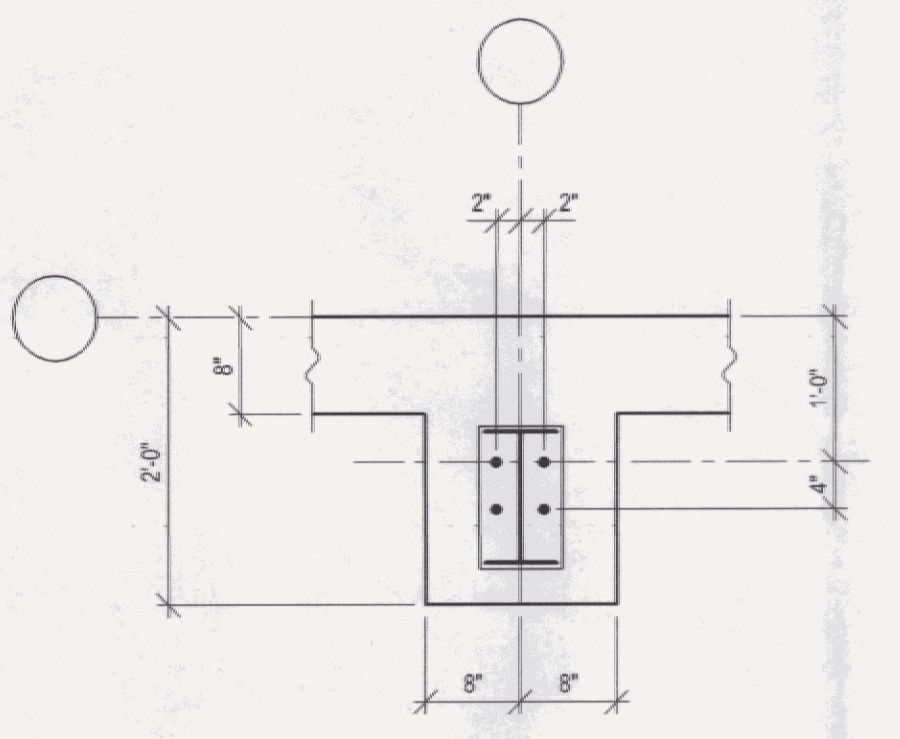
NEW SNOW REMOVAL
EQUIPMENT BUILDING
VERMONT AGENCY OF TRANSPORTATION
CLARENDON, VERMONT



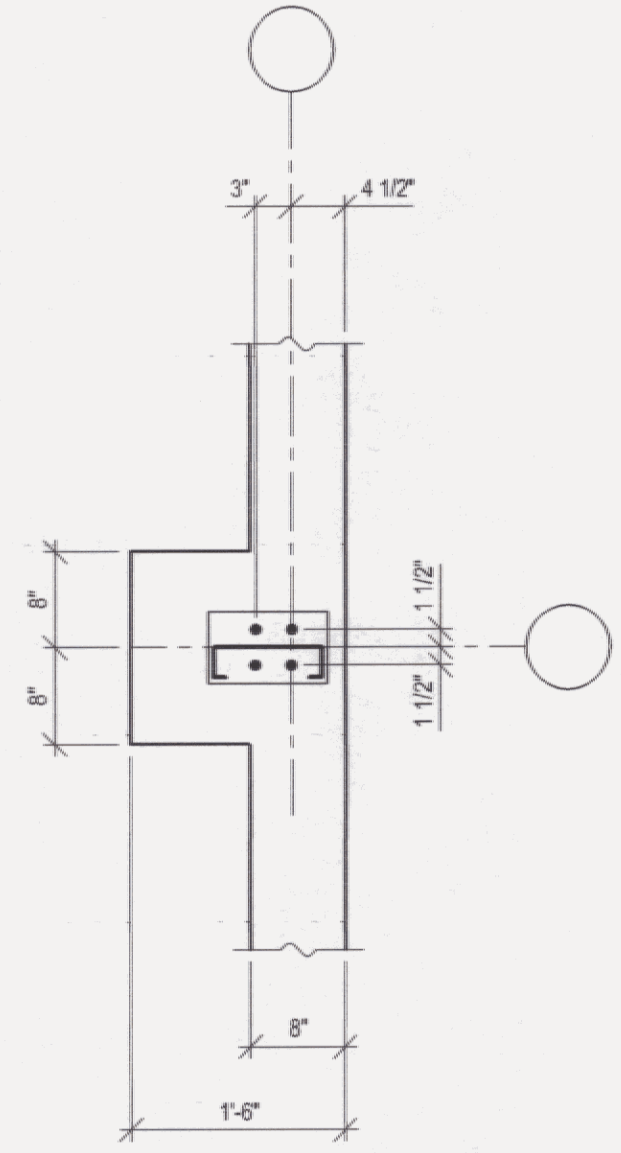
P1, P1A



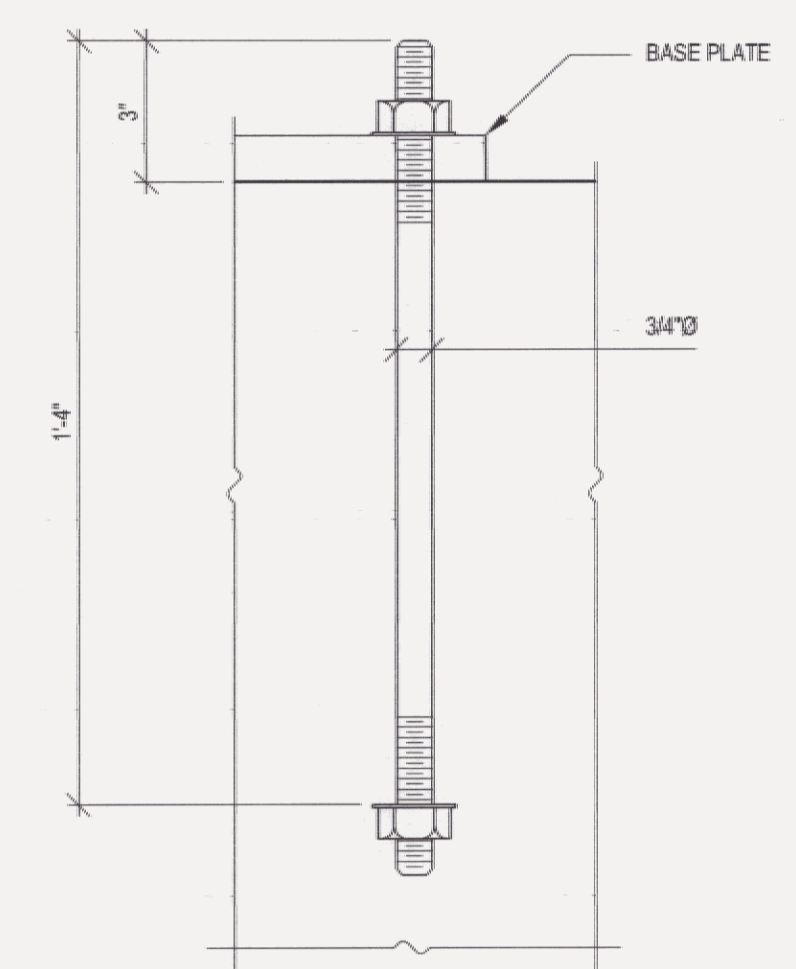
P2
SEE P1 FOR TYPICAL INFORMATION



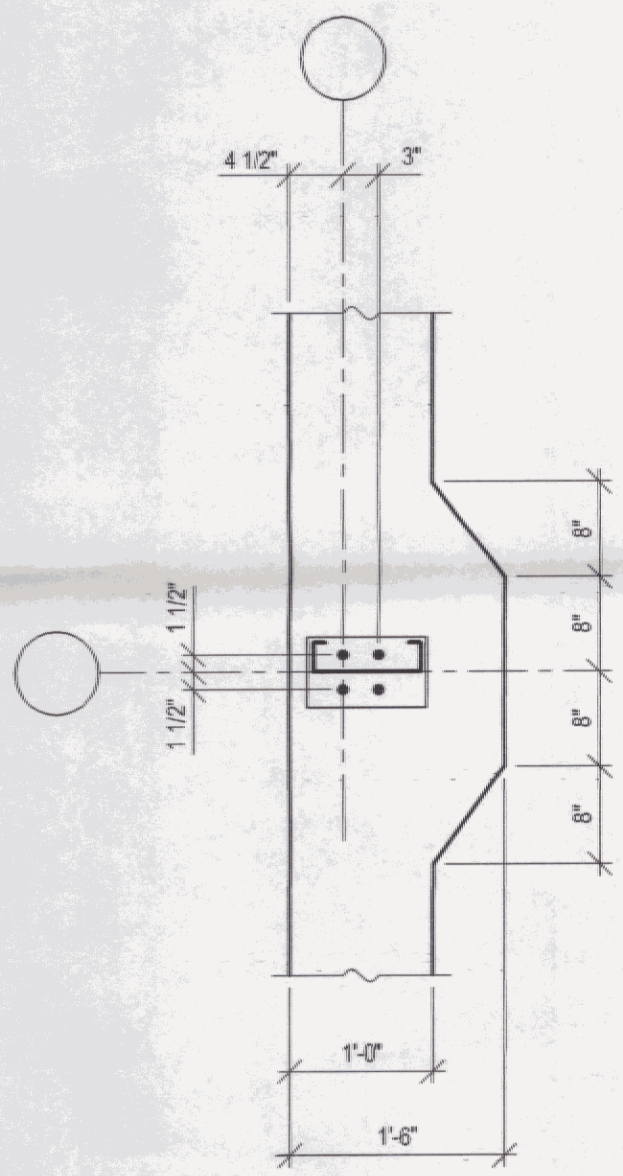
P3
SEE P1 FOR TYPICAL INFORMATION



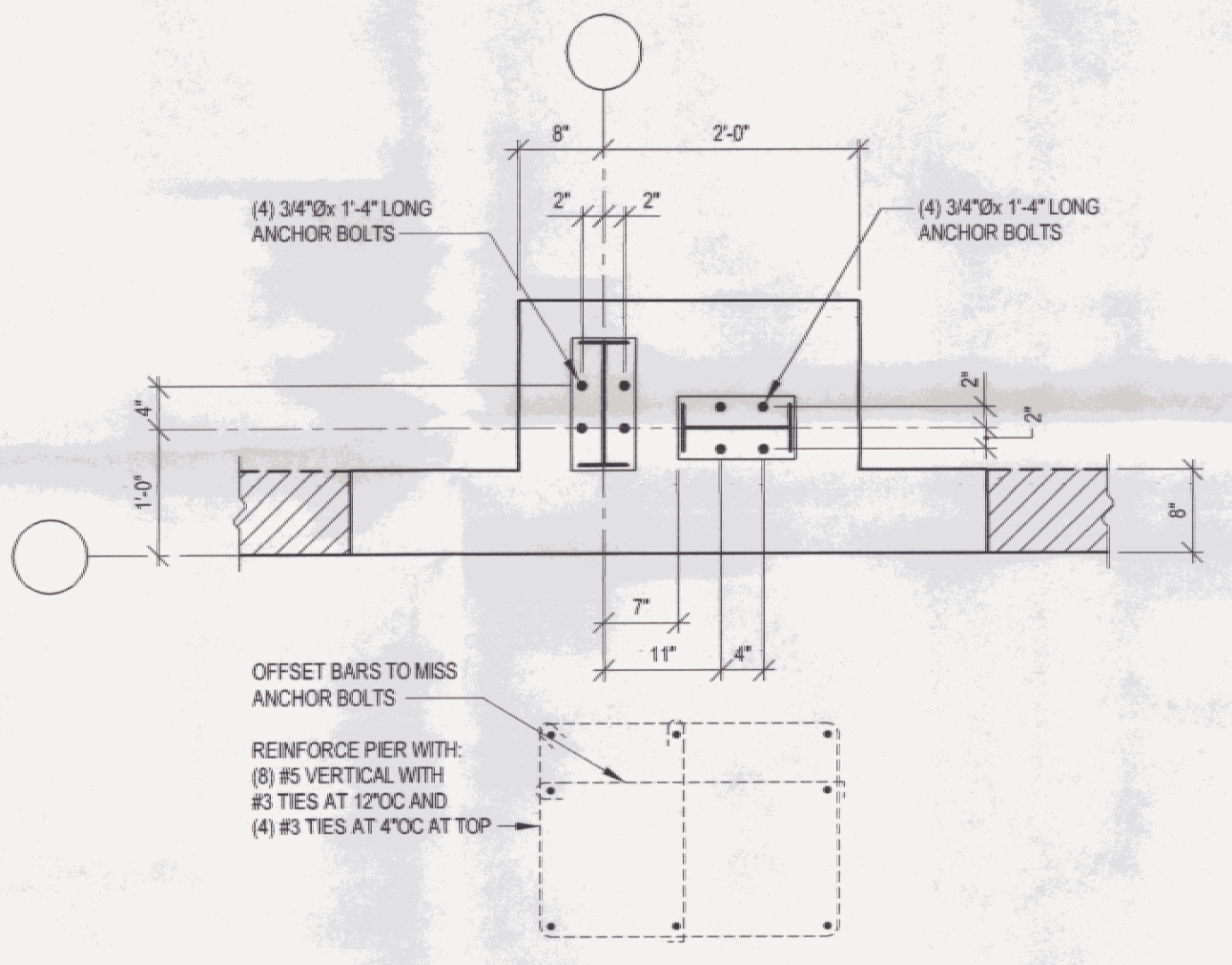
P4
SEE P1 FOR TYPICAL INFORMATION



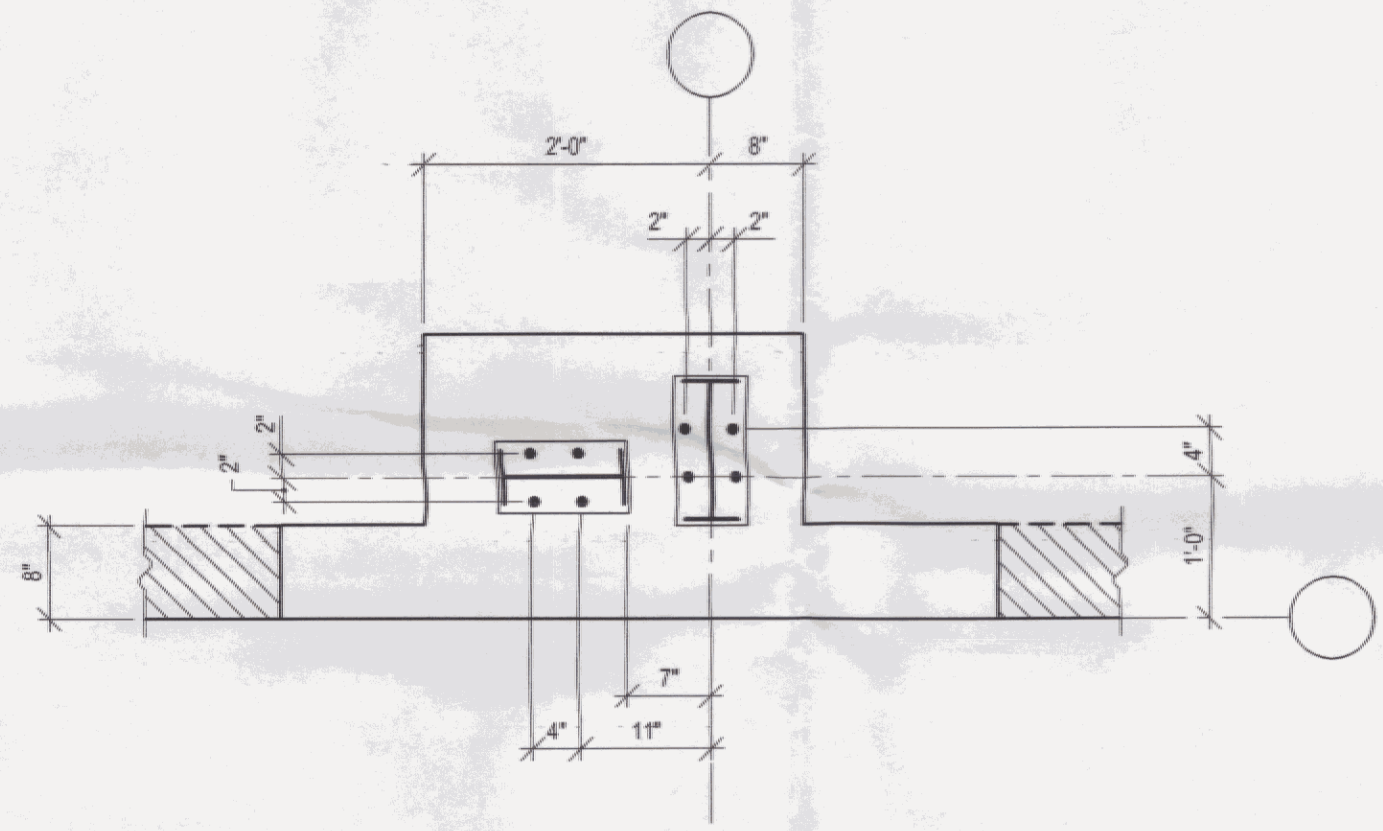
1
S4
DETAIL: ANCHOR BOLT COLUMNS
3\"/>



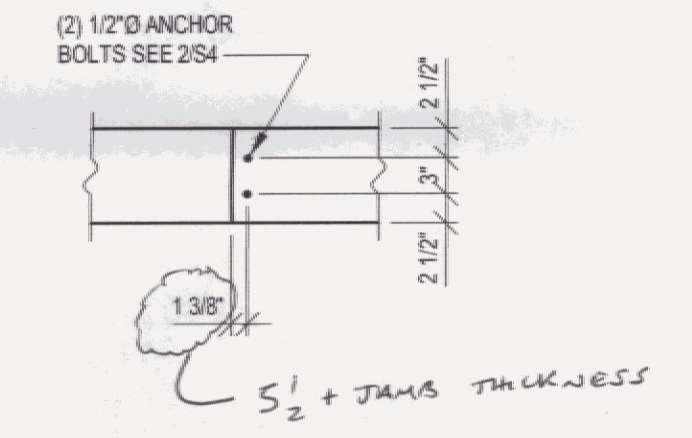
P5
SEE P1 FOR TYPICAL INFORMATION



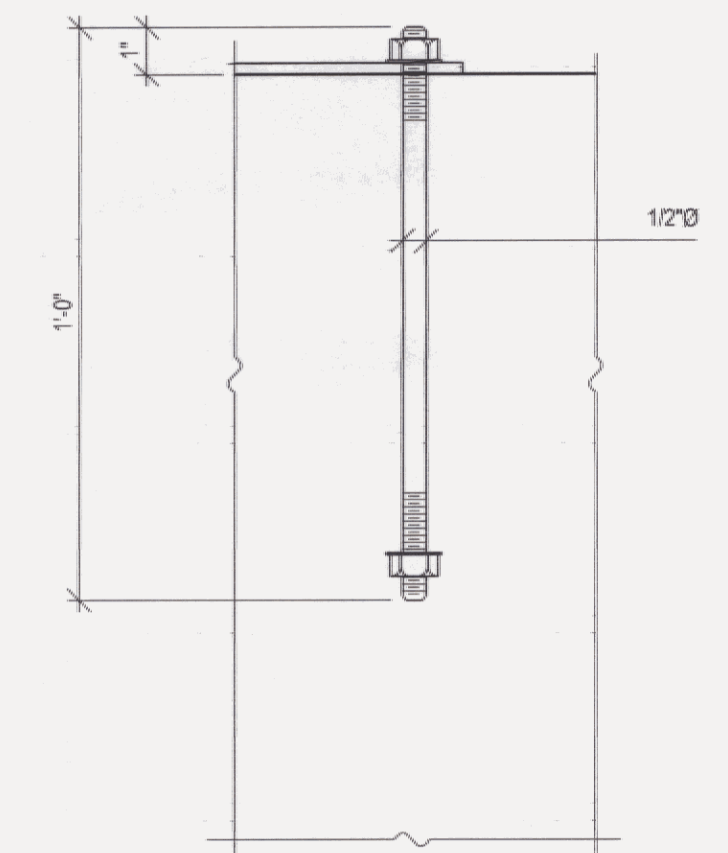
P6



P6A
SEE P6 FOR ADDITIONAL INFORMATION



P7
ANCHOR BOLTS AT DOORS



2
S4
DETAIL: ANCHOR BOLT DOORS
3\"/>

DETAILS: PIER

3/4\"/>

REVISIONS		
NO.	DESCRIPTION	DATE

UNAUTHORIZED ALTERATION OF THIS DOCUMENT IS PROHIBITED BY NEW YORK STATE EDUCATION DEPARTMENT LAW ARTICLE 145.

DATE: 06/29/2006
DRAWN BY: MDC
CHECKED BY: SJS

SHEET TITLE:
FOUNDATION DETAILS

SHEET NUMBER:
S4

RECEIVED
JUN 30 2006
THE QUINN COMPANY