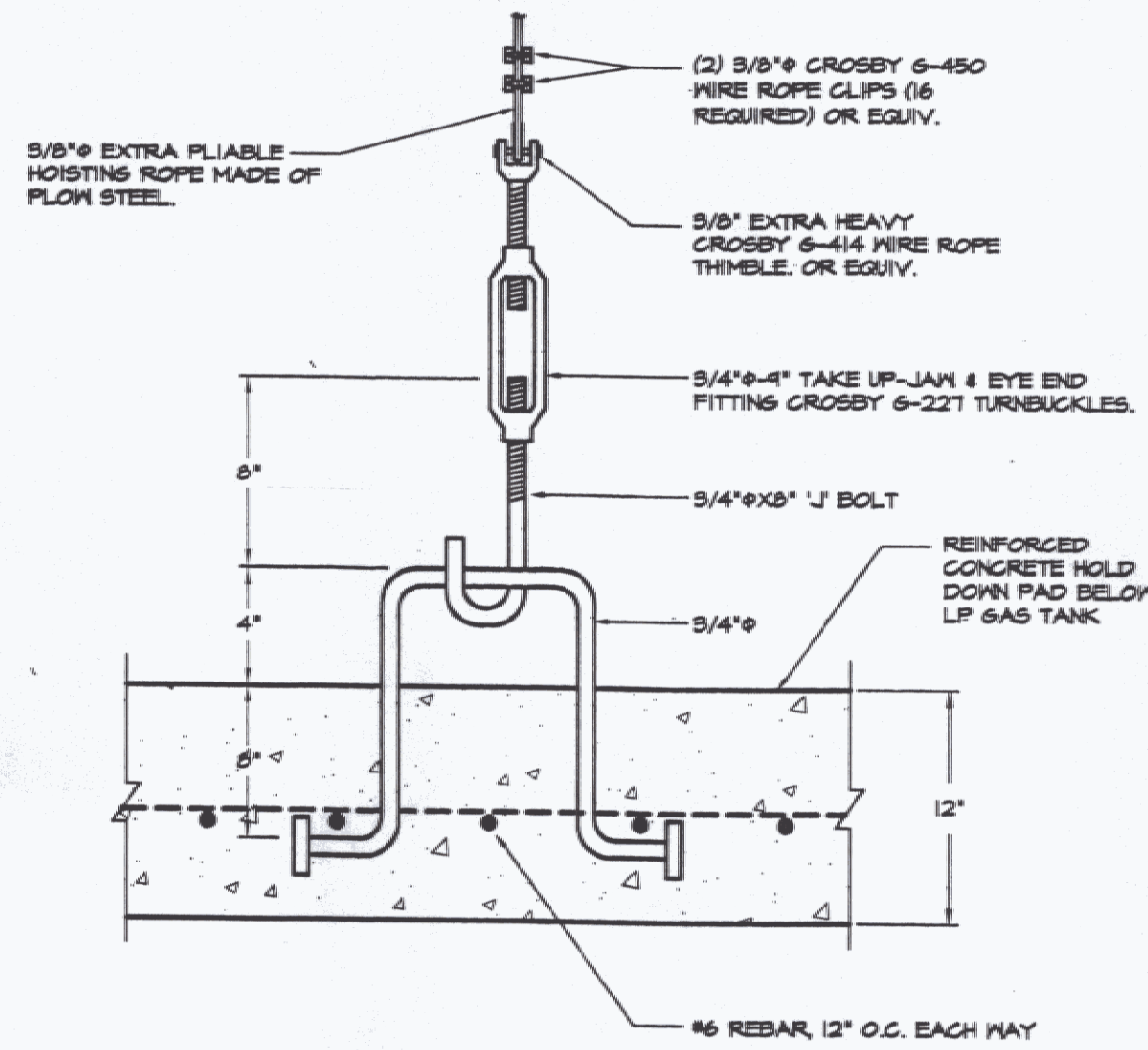
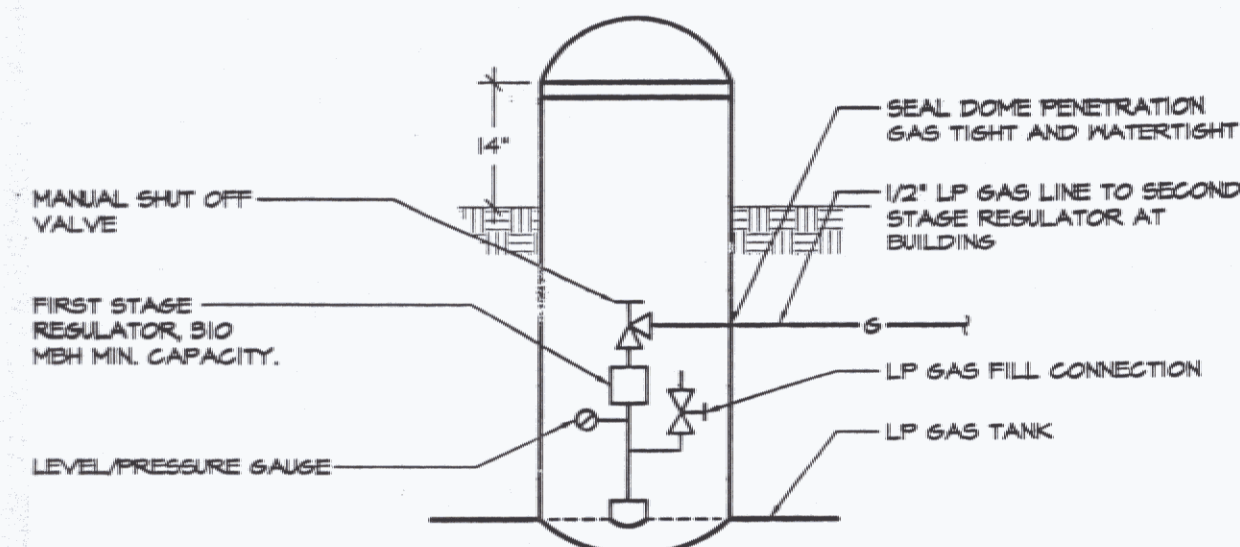


MECHANICAL LEGEND AND ABBREVIATIONS

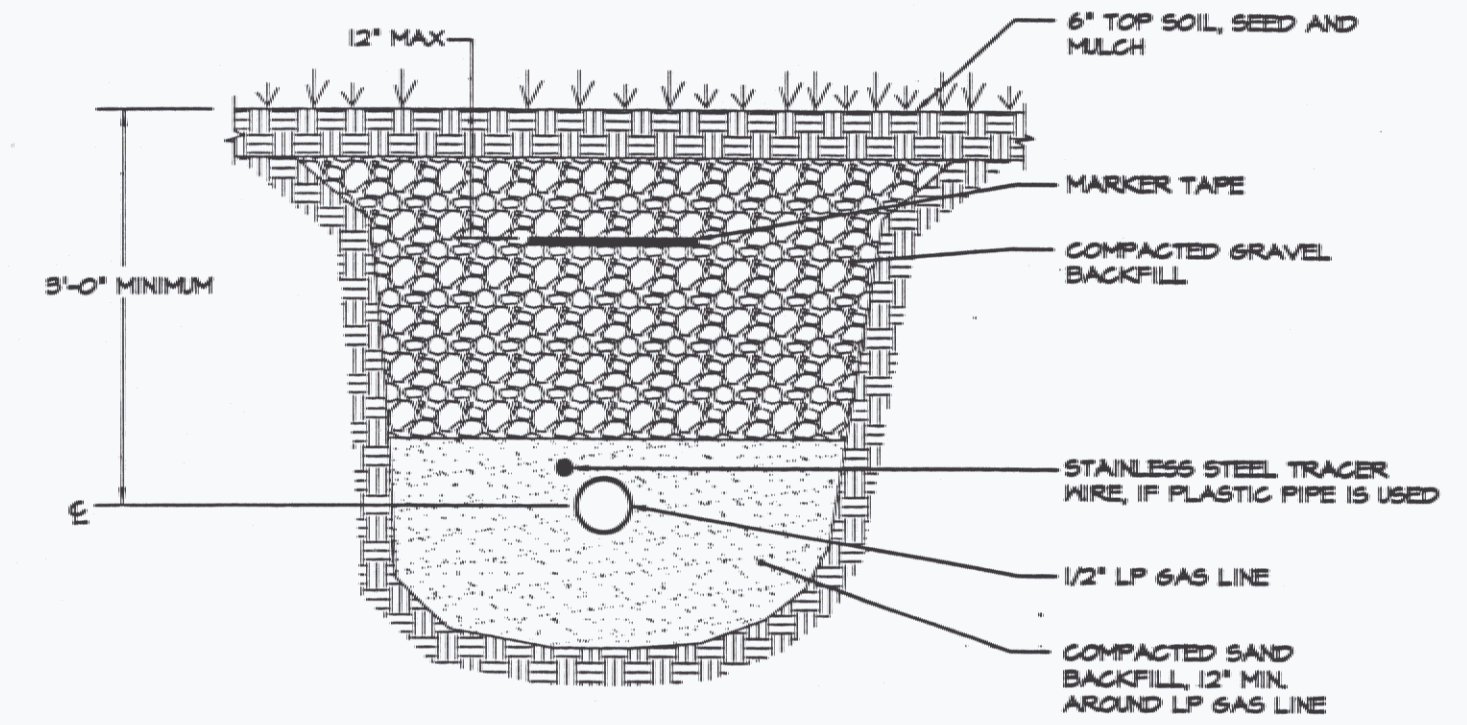
- NEW DUCTWORK
- RETURN DUCT DOWN
- EXHAUST FAN
- MOTORIZED DAMPER
- HOT WATER SUPPLY
- HOT WATER RETURN
- LP GAS PIPING
- IN-LINE PUMP
- PIPE UNION
- PIPE RISER
- PIPE DROP
- PIPE CAP
- BOTTOM PIPE CONNECTION
- TOP PIPE CONNECTION
- BALL VALVE
- CHECK VALVE
- BALANCING VALVE
- DRAIN VALVE
- BACK FLOW PREVENTER
- STRAINER W/ BLOW DOWN VALVE
- 2-WAY VALVE
- 3-WAY VALVE
- AIR VENT
- PRESSURE GAUGE
- TEMPERATURE SENSOR
- PRESSURE RELIEF VALVE (PRV)
- TEMPERATURE GAUGE
- LP GAS REGULATOR
- THERMOSTAT, SUBSCRIPTS: E = 120V ELECTRIC, # = ZONE
- AIR FLOW INDICATOR
- A.F.F. ABOVE FINISHED FLOOR
- B.D.D. BACK DRAFT DAMPER
- M.C. MECHANICAL CONTRACTOR
- P.C. PLUMBING CONTRACTOR
- E.C. ELECTRICAL CONTRACTOR
- G.C. GENERAL CONTRACTOR
- SECTION NUMBER
- DWS. NUMBER
- EXHAUST FAN
- LOUVER
- RADIANT HEATING SYSTEM HEADER
- DRAWING NOTE TAG
- PUMP TAG
- EQUIPMENT TAG



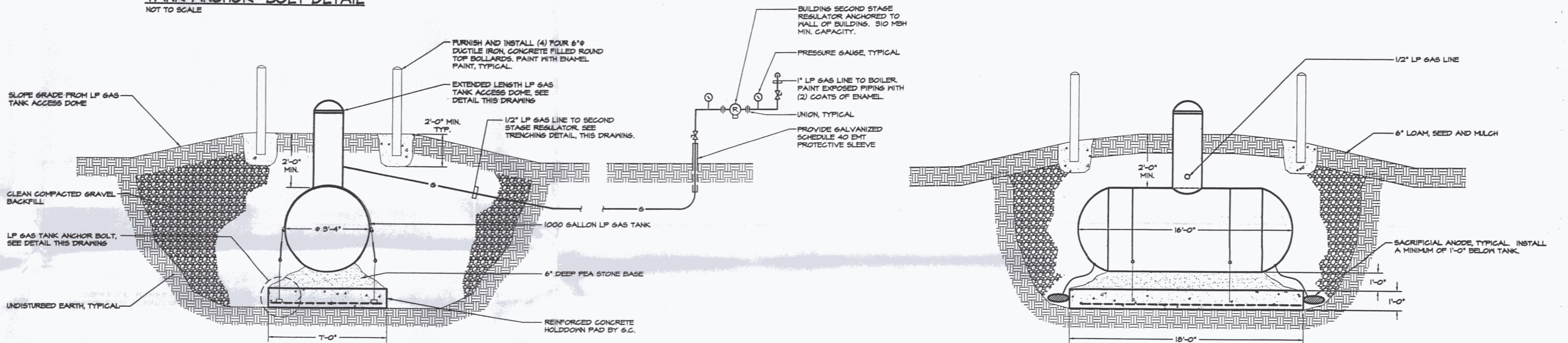
TANK ANCHOR BOLT DETAIL
NOT TO SCALE



LP GAS TANK ACCESS DOME DETAIL
NOT TO SCALE

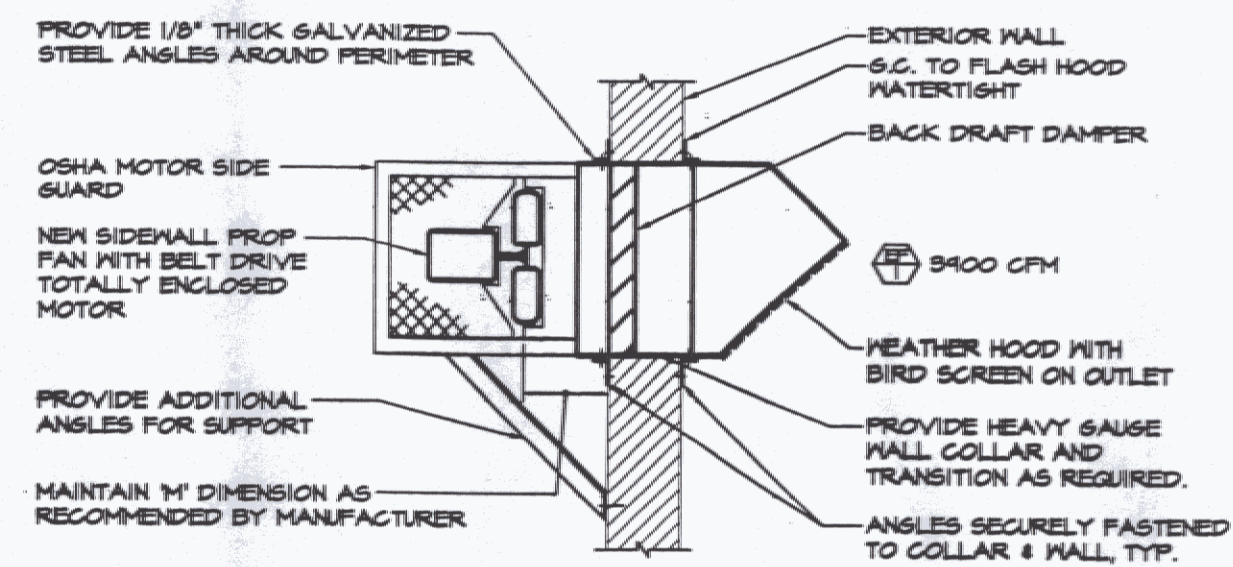


LP GAS SUPPLY PIPE TRENCHING DETAIL
NOT TO SCALE

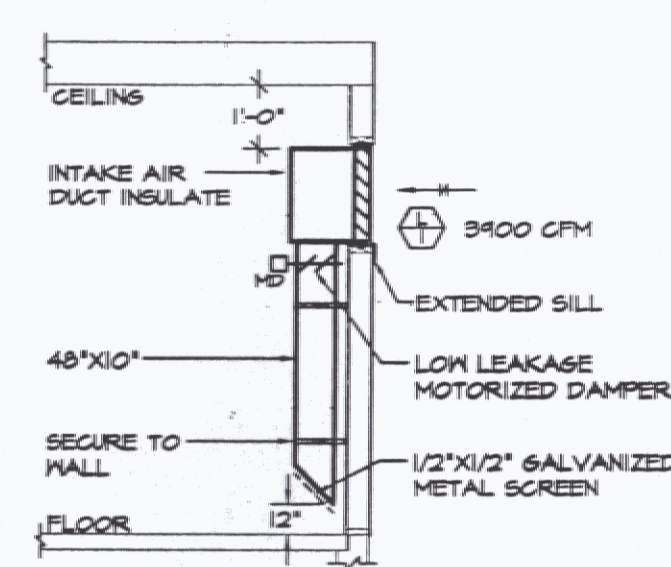


UNDERGROUND LP GAS TANK DETAILS
NOT TO SCALE

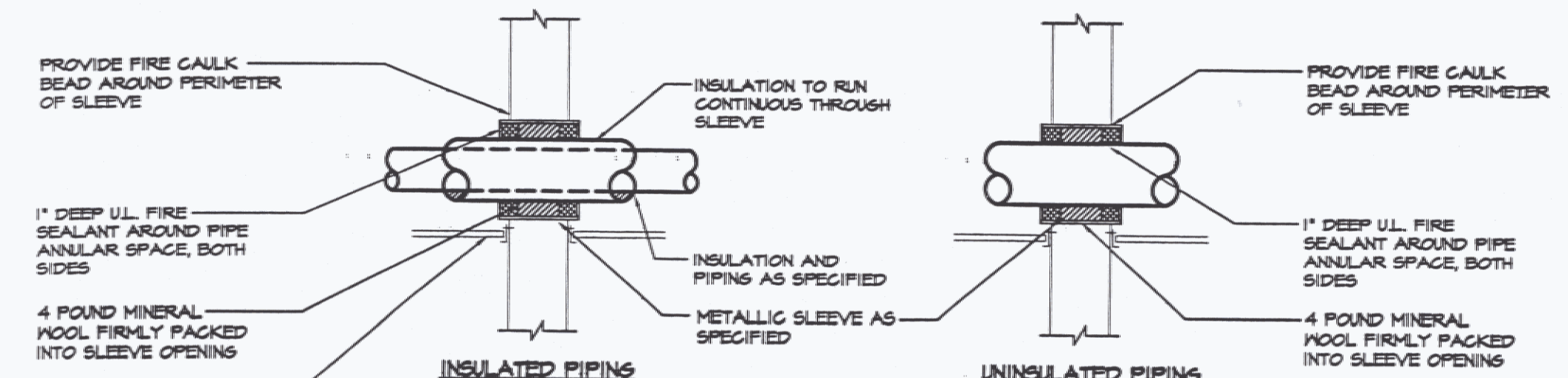
NOTE:
TANK REGULATORS, PIPING AND ACCESSORIES, INCLUDING FIRST AND SECOND STAGE REGULATORS, TO BE FURNISHED AND INSTALLED BY THIS CONTRACTOR. COORDINATE WITH G.C. FOR REQUIRED EXCAVATION AND BACKFILL.



SIDEWALL EXHAUST FAN DETAIL
NOT TO SCALE

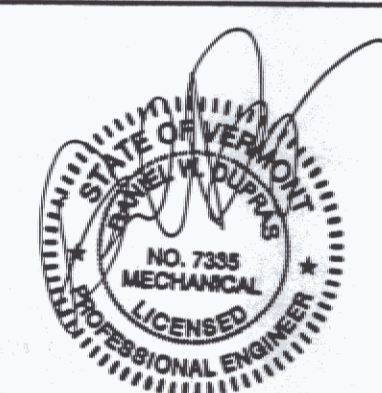


INTAKE LOUVER DETAIL
NOT TO SCALE



WALL PIPE PENETRATION DETAILS
NOT TO SCALE

NOTE:
1) FOLLOW FIRE SEALANT MANUFACTURER'S WRITTEN INSTALLATION INSTRUCTIONS IN CONJUNCTION WITH REQUIREMENTS AS DETAILED.
2) ALL WALL PIPE PENETRATIONS SHALL BE INSTALLED PER THIS DETAIL.
3) DETAIL BASED ON STI "SPEC-SEAL" FIRE STOPPING PRODUCTS, ALTERNATE MANUFACTURER'S INSTALLATION REQUIREMENTS MAY VARY.
4) PENETRATIONS OF BOILER ROOM CEILING SHALL BE INSTALLED SIMILAR TO THIS DETAIL.



NO.	ISSUED FOR	DATE
1	BIDDING	04/15/2006

LANE ASSOCIATES
CONSULTING ENGINEERS, P.C.

HEATING, VENTILATION, & AIR CONDITIONING,
PLUMBING, FIRE PROTECTION, & ELECTRICAL

CHARLES F. LANE, P.E.
DANIEL W. DUPRAS, P.E.

51 KILLINGTON AVENUE
RUTLAND, VERMONT 05701
TELEPHONE: (802)747-3348
FAX/MODM: (802)747-3358

MECHANICAL DETAILS & LEGEND				M 3
NEW SNOW REMOVAL EQUIPMENT BUILDING VERMONT AGENCY OF TRANSPORTATION CLARENDON, VERMONT				
APPR.	DVD	DRAWN: DVD/SGJT	SCALE: AS NOTED	PROJ. NO. 0912-24