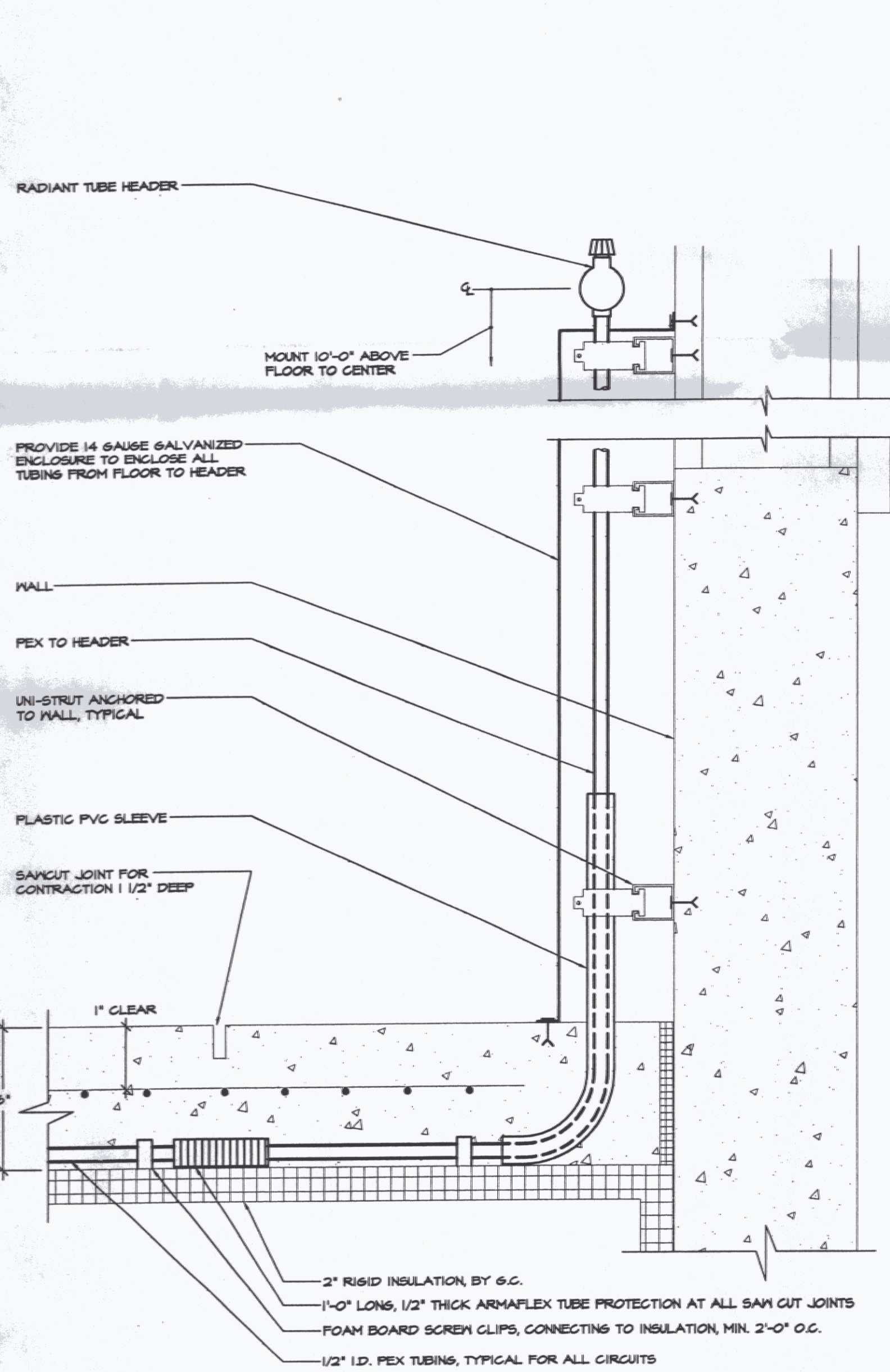
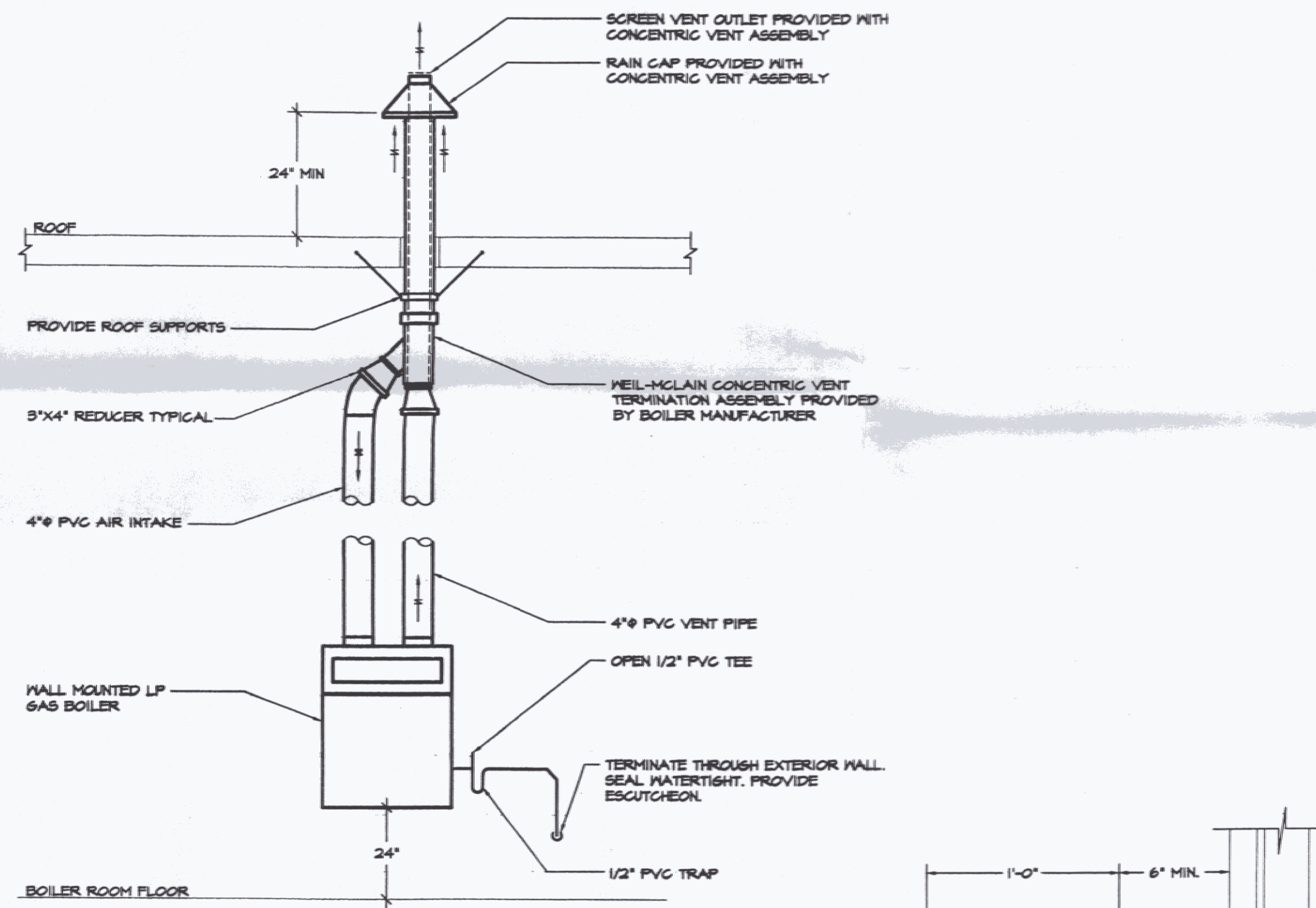


BOILER/SYSTEM PIPING SCHEMATIC
NOT TO SCALE

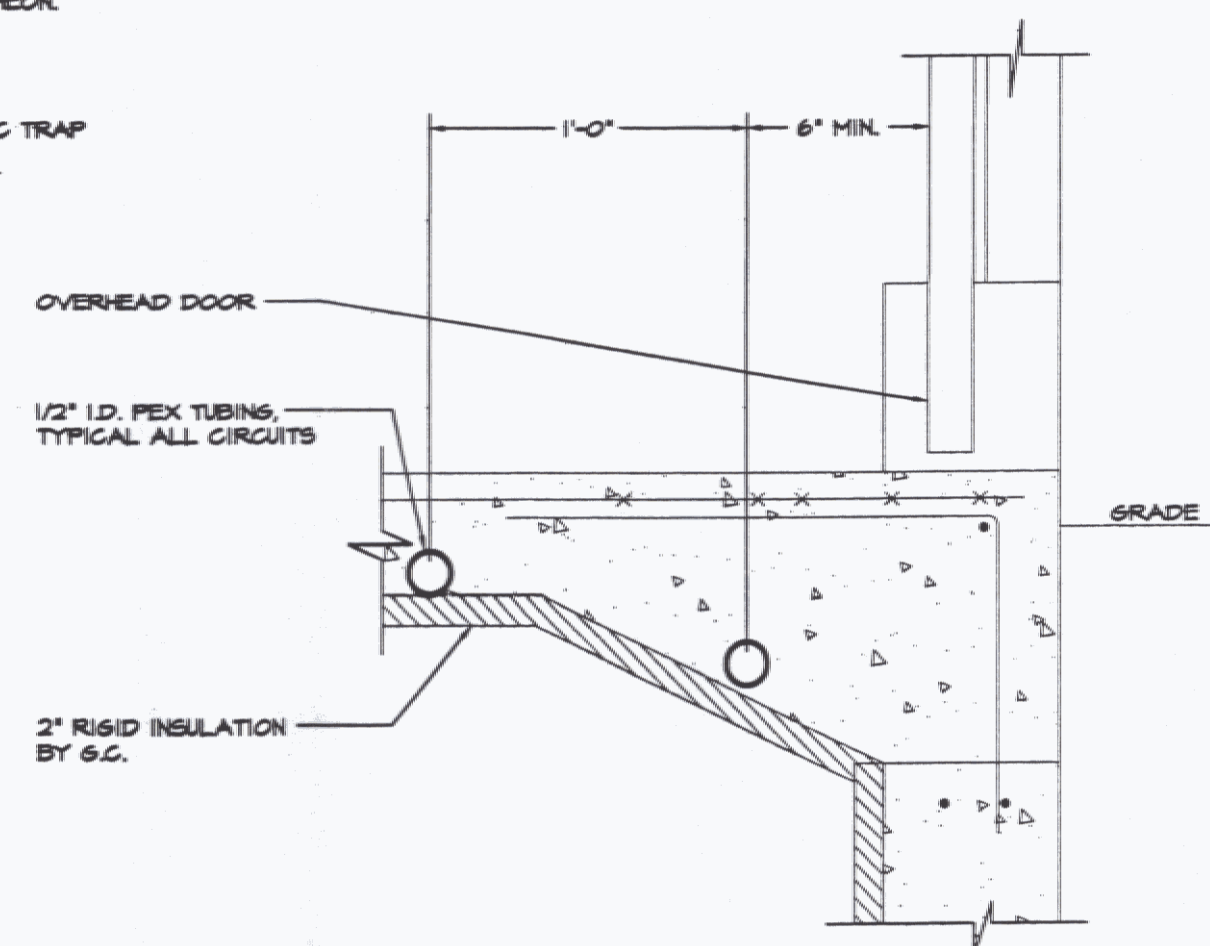


TYPICAL RADIANT TUBING DETAIL
NOT TO SCALE

1. PROVIDE SCHEDULE 40 PVC CONDUIT SLEEVE PROTECTION TO A MINIMUM OF 1" ABOVE FINISHED CONCRETE FLOOR SLAB, TYPICAL FOR RADIANT TUBING THROUGH SLABS.



BOILER GAS VENTING DETAIL
NOT TO SCALE



SECTION AT OVERHEAD DOOR
NOT TO SCALE

CIRCULATOR PUMP SCHEDULE

| No. | MANUFACTURER | SERIES | MODEL | MIN. GPM | HEAD (FT. HD.) | MOTOR | | | | REMARKS |
|-----|--------------|--------|-------|----------|----------------|-------|------|----|------|---------------------|
| | | | | | | HP | VOLT | PH | RPM | |
| P-1 | TACO | 00 | 0014 | 5.0 | 12 | 1/8 | 115 | 1 | 3250 | HEADER 1 PUMP |
| P-2 | TACO | 00 | 0014 | 7.0 | 20 | 1/8 | 115 | 1 | 3250 | HEADER 2 PUMP |
| P-3 | TACO | 00 | 0014 | 7.0 | 20 | 1/8 | 115 | 1 | 3250 | HEADER 3 PUMP |
| P-4 | TACO | 00 | 0014 | 7.0 | 20 | 1/8 | 115 | 1 | 3250 | HEADER 4 PUMP |
| P-5 | TACO | 00 | 0014 | 7.0 | 20 | 1/8 | 115 | 1 | 3250 | FUTURE PUMP |
| P-6 | TACO | - | 121 | 38 | 12 | 1/4 | 115 | 1 | 1725 | SYSTEM PUMP |
| P-7 | TACO | 00 | 0011 | 25 | 5 | 1/8 | 115 | 1 | 3250 | BOILER PUMP, NOTE 1 |

- NOTE:
1) PUMP PROVIDED WITH BOILER AND SHIPPED LOOSE FOR FIELD INSTALLATION.

EXHAUST FAN SCHEDULE

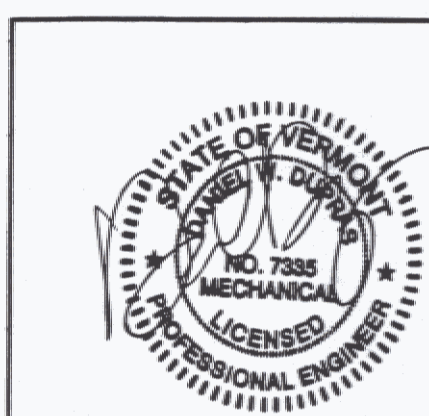
| No. | MANUFACTURER | MODEL | CFM | E.S.P. | TYPE | RPM | MODEL | | | REMARKS |
|------|--------------|-----------|------|--------|----------|------|-------|------|----|---------|
| | | | | | | | H.P. | VOLT | PH | |
| EF-1 | GREENHECK | SB-2H24-S | 9400 | 0.30 | SIDEMALL | 1010 | 1/2 | 115 | 1 | NOTE 1 |

- NOTE:
1) PROVIDE WALL SLEEVE, LOW LEAKAGE BACKDRAFT DAMPER, EXPLOSION PROOF MOTOR, SPARK PROOF FAN BLADE, OSHA SIDE MOTOR GUARD AND WEATHERHOOD WITH BIRDSCREEN. WEATHERHOOD TO BE PROVIDED WITH A BAKED ENAMEL FINISH, COLOR SELECTED BY ARCHITECT.

LOUVER SCHEDULE

| No. | MANUFACTURER | SERIES | MODEL | SIZE | AIR PAT | DAMPER | FINISH | REMARKS |
|-----|--------------|--------|-------|------|---------|--------|--------|---------|
| | | | | | | | | |

- NOTES:
1) COORDINATE EXACT WIDTH TO MATCH WINDOW ABOVE.
2) PROVIDE GALVANIZED BIRDSCREEN.
3) COLOR OF LOUVER TO BE SELECTED BY ARCHITECT.



| | | |
|-----|------------|------------|
| 1 | BIDDING | 04/15/2006 |
| NO. | ISSUED FOR | DATE |

LANE ASSOCIATES
CONSULTING ENGINEERS, P.C.

HEATING, VENTILATION, & AIR CONDITIONING,
PLUMBING, FIRE PROTECTION, & ELECTRICAL
CHARLES F. LANE, P.E.
DANIEL W. DUPRAS, P.E.
51 KILLINGTON AVENUE,
RUTLAND, VERMONT 05701
TELEPHONE: (802)747-3346
FAX/MODEM: (802)747-3356

MECHANICAL DETAILS & SCHEDULES
NEW SNOW REMOVAL
EQUIPMENT BUILDING
VERMONT AGENCY OF TRANSPORTATION
CLARENDON, VERMONT

M 2