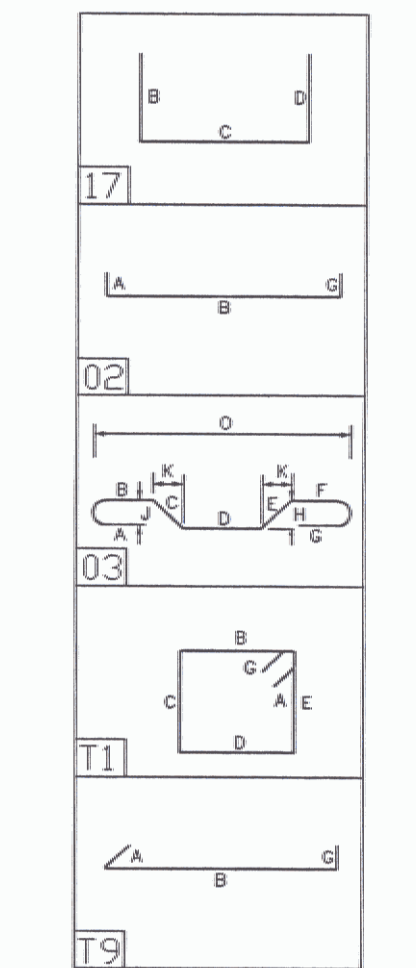
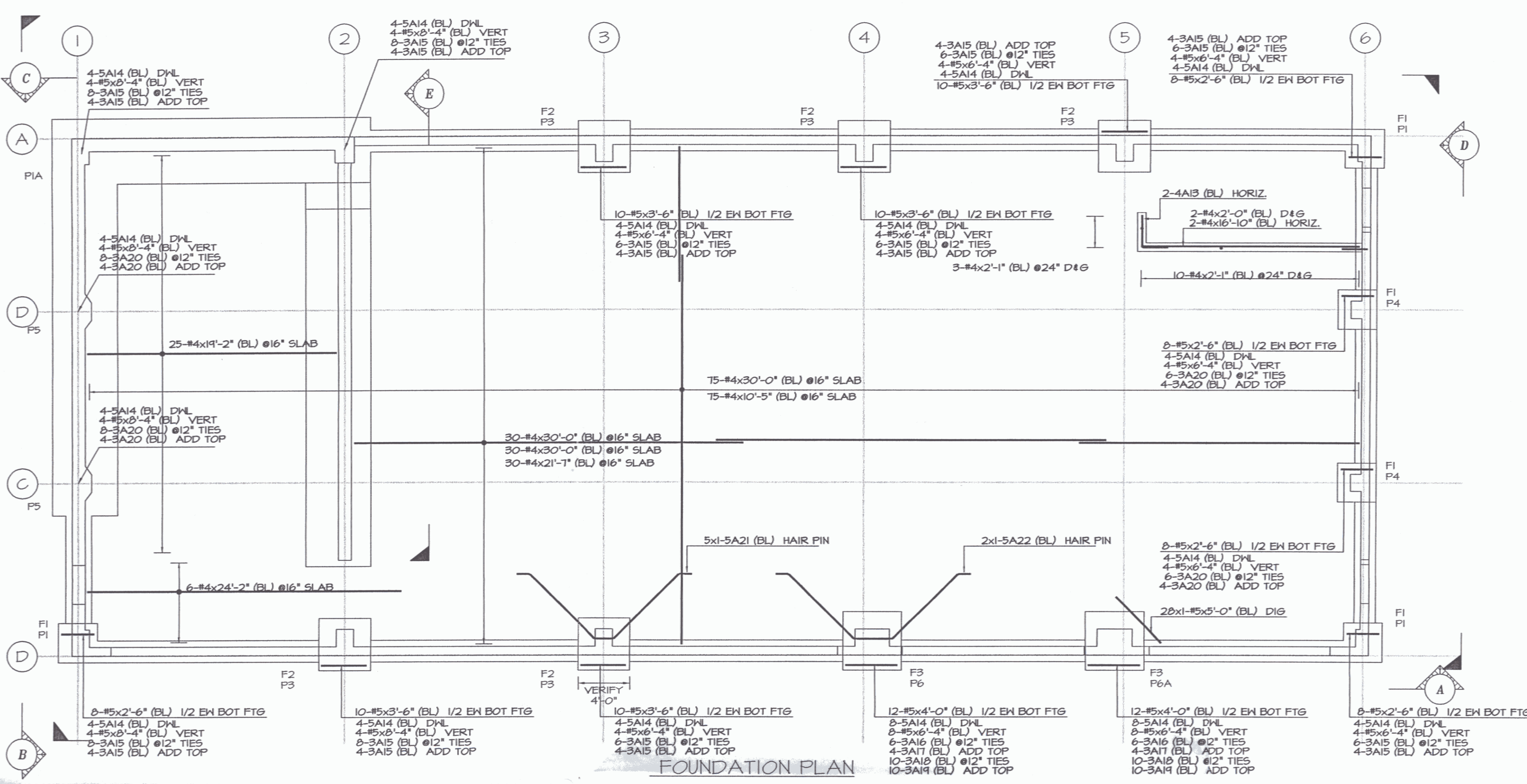


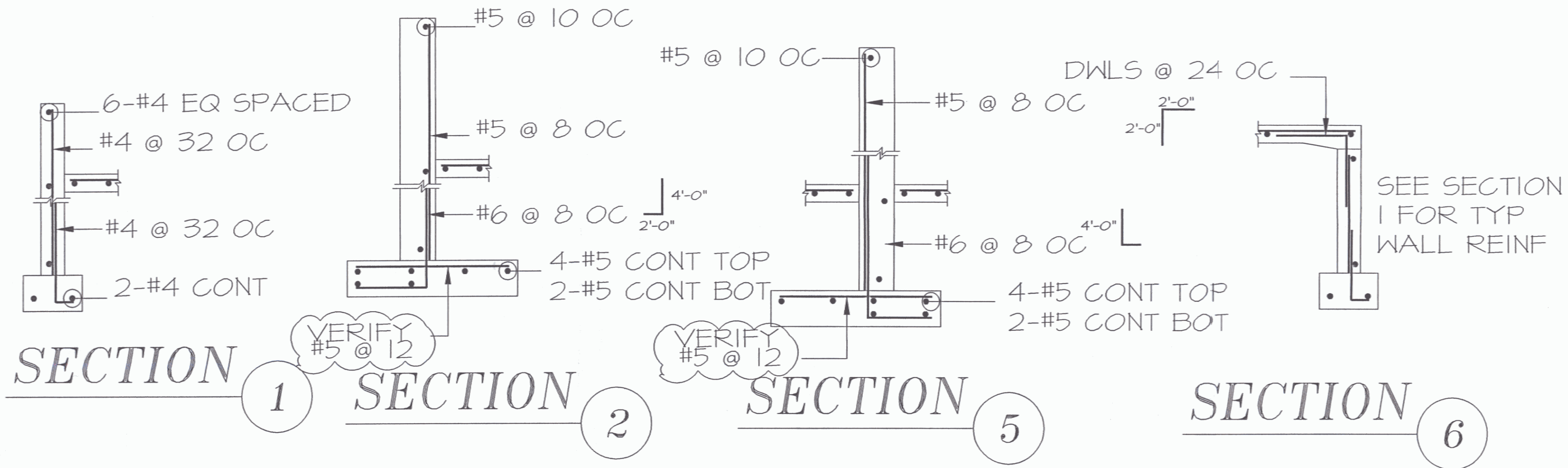
| Release Code: *UNTTLED | | BENDING DETAILS. | | | | | | | | | | | | | |
|------------------------|-------|------------------|--------|------|----|----|----|----|----|----|----|----|----|----|----|
| Bar Mark | Qty | Size | length | type | X' | Y' | Z' | U' | V' | W' | X' | Y' | Z' | U' | V' |
| 4A01 | 184 | #4 | 10' | | | | | | | | | | | | |
| 4A02 | 284 | #4 | 12' | | | | | | | | | | | | |
| 4A03 | 284 | #4 | 12' | | | | | | | | | | | | |
| 4A04 | 784 | #4 | 12' | | | | | | | | | | | | |
| 4A05 | 284 | #4 | 12' | | | | | | | | | | | | |
| 4A06 | 7284 | #4 | 12' | | | | | | | | | | | | |
| 4A07 | 9084 | #4 | 12' | | | | | | | | | | | | |
| 4A08 | 12884 | #4 | 12' | | | | | | | | | | | | |
| 4A09 | 184 | #4 | 12' | | | | | | | | | | | | |
| 5A10 | 885 | #4 | 12' | | | | | | | | | | | | |
| 5A11 | 485 | #4 | 12' | | | | | | | | | | | | |
| 5A12 | 3685 | #4 | 12' | | | | | | | | | | | | |
| 4A13 | 284 | #4 | 12' | | | | | | | | | | | | |
| 5A14 | 7285 | #4 | 12' | | | | | | | | | | | | |
| 3A15 | 10883 | #4 | 12' | | | | | | | | | | | | |
| 3A16 | 12883 | #4 | 12' | | | | | | | | | | | | |
| 3A17 | 8883 | #4 | 12' | | | | | | | | | | | | |
| 3A18 | 20883 | #4 | 12' | | | | | | | | | | | | |
| 3A19 | 20883 | #4 | 12' | | | | | | | | | | | | |
| 3A20 | 44883 | #4 | 12' | | | | | | | | | | | | |
| 5A21 | 585 | #4 | 12' | | | | | | | | | | | | |
| 5A22 | 285 | #4 | 12' | | | | | | | | | | | | |



ACTUAL LENGTH VALUES DUE TO LEDGE CONDITIONS.
SEE DRAWING 51 FOR ACTUAL WALL HEIGHTS DUE TO LEDGE.

AS-BUILT
12/20/06

RECEIVED
JUL 11 2006
THE QUINN COMPANY



SEE DWG R02 FOR ELEV AND SECTION

REFERENCE DWG.
REINFORCING BARS ASTM A615 GRADE 60 UNLESS NOTED
LAP ALL CONTINUOUS BARS 40

| | | |
|------------|------------|-------------|
| #3 = 1'-0" | #6 = 2'-0" | #9 = 3'-0" |
| #4 = 1'-0" | #7 = 2'-0" | #10 = 4'-0" |
| #5 = 2'-0" | #8 = 3'-0" | #11 = 4'-0" |

Legend:
IF Inside Face V Vertical
OF Outside Face H Horizontal
NF Near Face EW Each Way
FF Far Face B/Bot Bottom
EF Each Face T Top
SB Support Bars

NOTICE
Shortages, improper fabrication or claims for any other reason must be reported to this company within a period of 15 days of delivery. This company reserves the right to field inspect prior to replacement or reconditioning of nonconforming material, and will not honor charges for work done in the field without specific authorization from this company.

REINFORCING STEEL PLACING DRAWINGS ONLY USE IN CONJUNCTION WITH CONTRACT DRAWINGS & SPECIFICATIONS. ELEVATIONS & DIMENSIONS SHOWN ON THIS DRAWING ARE FOR DETAILING PURPOSES ONLY AND SHOULD NOT BE USED FOR CONSTRUCTION UNLESS VERIFIED BY ENGINEER OR CONTRACTOR.

| DATE | REV. | DESCRIPTION | DATE | APPROVAL | SENT FOR |
|-------------------------------------|-----------------|--------------|-------------|----------|----------|
| | | | | | |
| BARKER STEEL CO., INC. | | | | | |
| CANAAN OFFICE | | | | | |
| PROJECT AOT SNOW REMOVAL EQUIP BLDG | | | | | |
| LOCATION 1002 AIRPORT ROAD | | | | | |
| ARCHITECT N. CLARENDON, VT 05754 | | | | | |
| ENGINEER | | | | | |
| CUSTOMER THE QUINN COMPANY, INC. | | | | | |
| Drawn By: | Date: | Reviewed By: | Job No. | | |
| RLL/MW | 07/09/06 | | 10022247 | | |
| Drawing Covers: | FOUNDATION PLAN | | Drawing no. | | |
| | | | R01 | | |