

1 SECOND FLOOR DEMO PLAN  
SCALE: 1/4" = 1'-0"

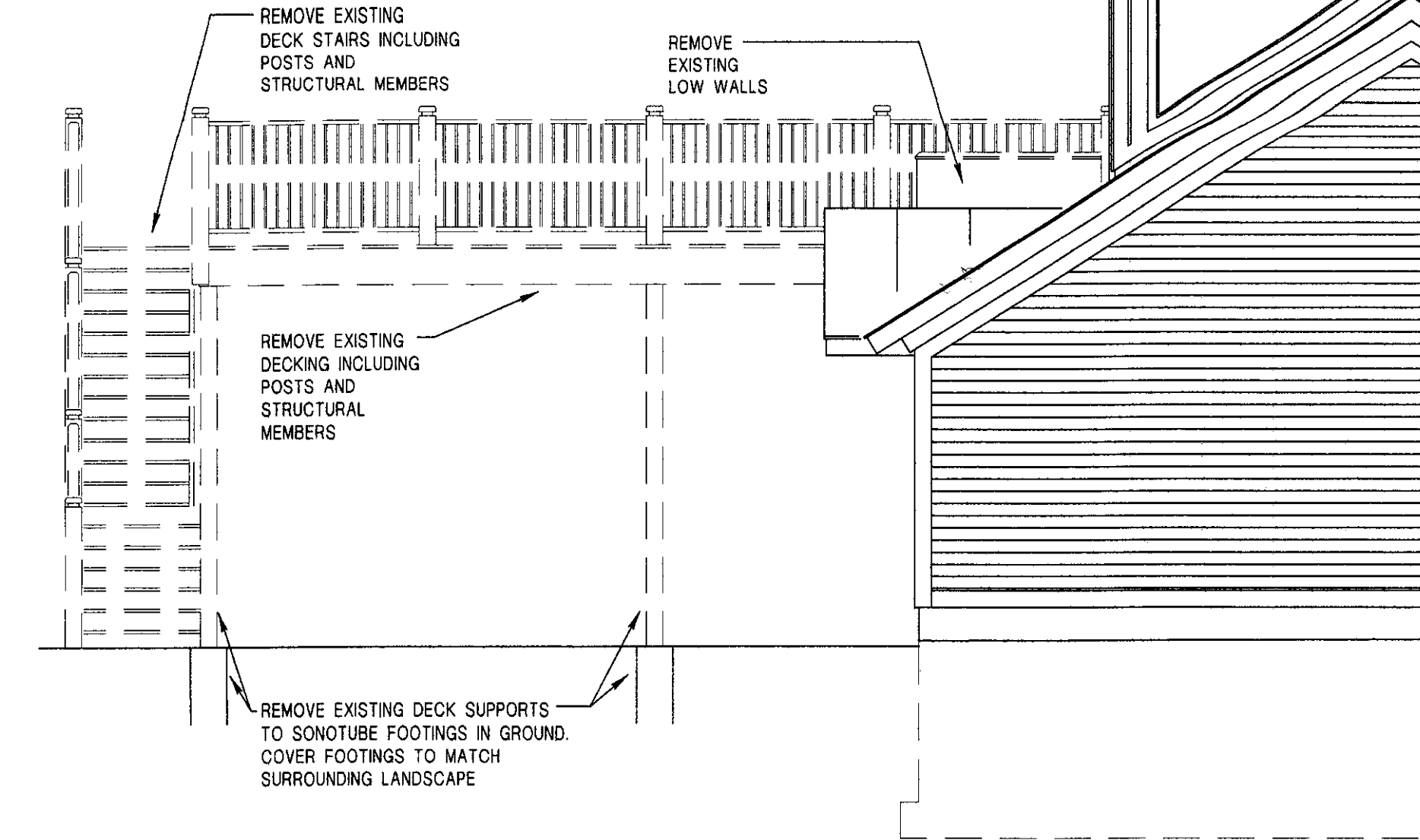
INSTALL NEW WINDOWS PER MANUFACTURERS REQUIREMENTS. INSTALL INTERIOR & EXTERIOR TRIM TO MATCH EXISTING.

PATCH AND REPAIR EXISTING ROOF. INSTALL BLOCKING, FRAMING & DECKING AS REQUIRED TO MATCH EXISTING. FLASH ROOF AS REQUIRED TO COMPLY WITH CURRENT MANUFACTURERS REQUIREMENTS.

REMOVE EXISTING DECK SUPPORTS TO SONOTUBE FOOTINGS IN GROUND. COVER FOOTINGS TO MATCH SURROUNDING LANDSCAPE

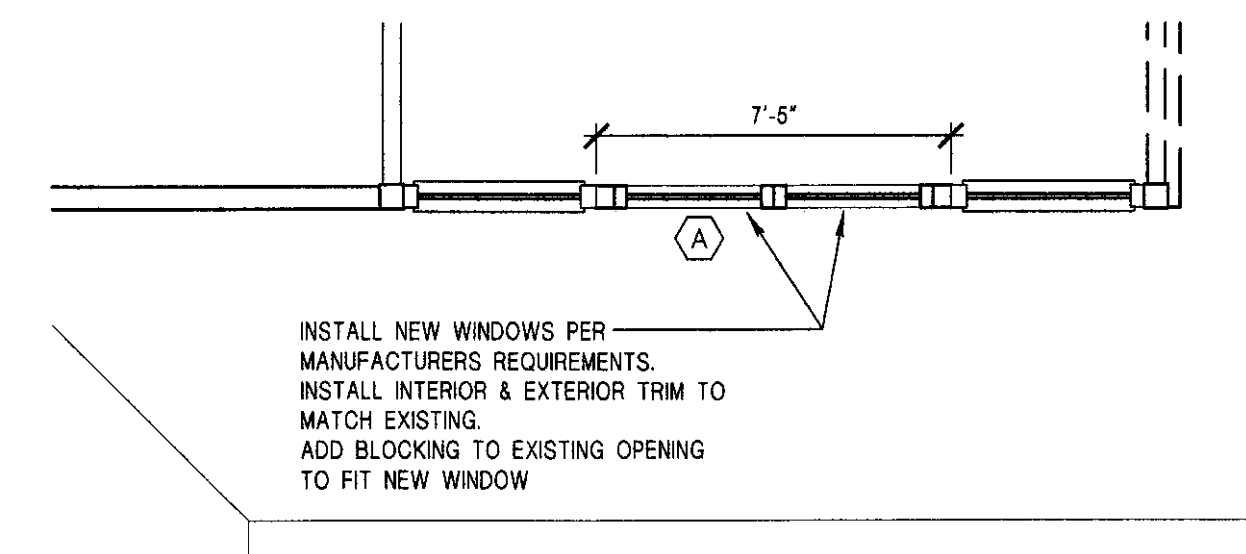


2 BUILDING ELEVATION  
SCALE: 1/4" = 1'-0"

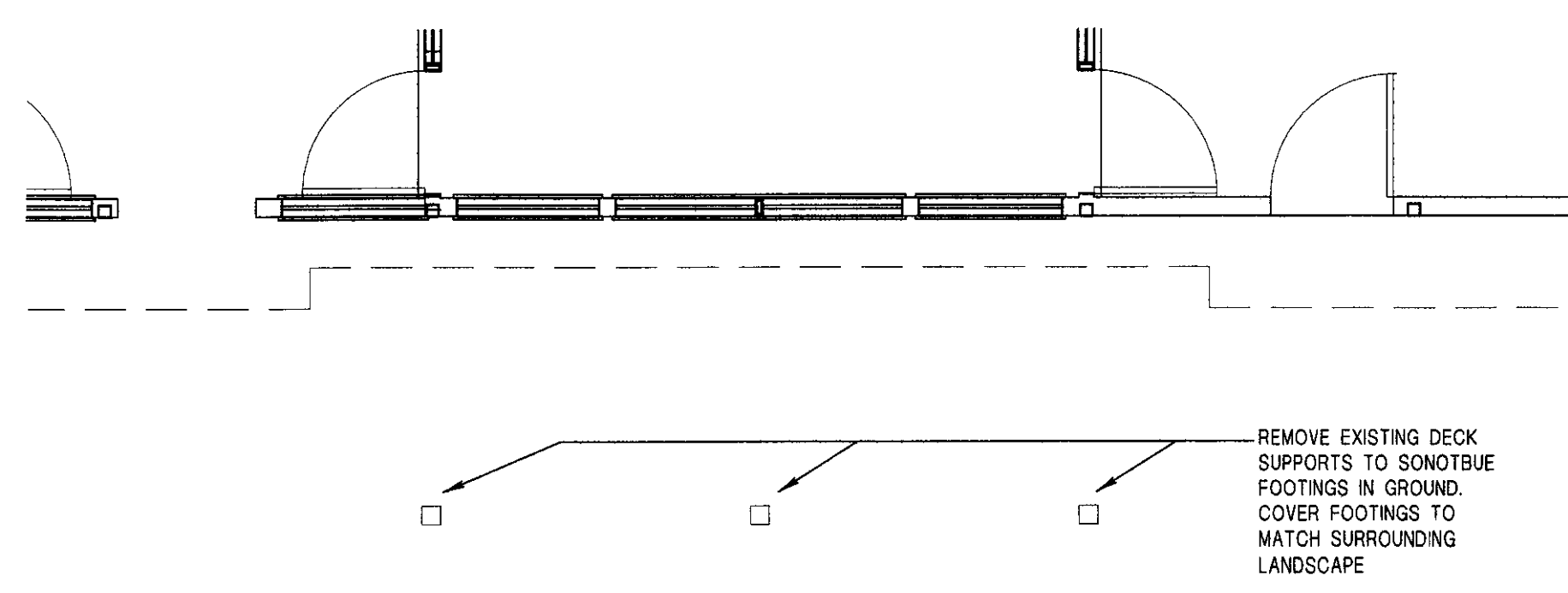


3 BUILDING ELEVATION  
SCALE: 1/4" = 1'-0"

- GENERAL NOTES:
- REPAIR AND RE-FLASH ALL AREAS OF THE EXISTING BUILDING THAT ARE EXPOSED AFTER DEMOLITION WORK.
  - ALL REPAIRS ARE TO MATCH THE EXISTING MATERIALS AND FINISHES.
  - ALL TRIM TO MATCH EXISTING ON INTERIOR AND EXTERIOR.
  - PAINT ALL REPAIRS TO MATCH EXISTING.
  - SEE SPECIFICATION SECTIONS 01731 CUTTING AND PATCHING 01732 SELECTIVE DEMOLITION FOR MORE DETAILED REQUIREMENTS.



4 SECOND FLOOR PLAN  
SCALE: 1/4" = 1'-0"



5 FIRST FLOOR DEMO PLAN  
SCALE: 1/2" = 1'-0"

WINDOW SCHEDULE

NO.	TYPE	MANUFACTURER	ROUGH OPENING SIZE	HEAD	JAMB	SILL
A	E 3440 3418 22	EAGLE	6'-8 1/2" x 5'-8 1/2"	10/NA3.0	12/NA3.0	11/NA3.0



**GBA**

**GOSSENS  
BACHMAN  
ARCHITECTS**

85 Granite Shed Lane  
Montpelier, Vermont 05602  
P 802.229.1664 F 802.229.4822



STATE OF VERMONT  
DEPARTMENT OF BUILDINGS  
AND GENERAL SERVICES  
AGENCY OF ADMINISTRATION  
MONTPELIER, VERMONT



**Rutland  
Airport**

Terminal Building

Rutland, Vermont

Revisions:

Job Number: 0302-105

File Name: REV0302-alt2.dwg

Scale: As Noted

Date: March 2005

**MAIN  
TERMINAL DECK  
REMOVAL  
[BID ALTERNATE #2]**

**A0.2**