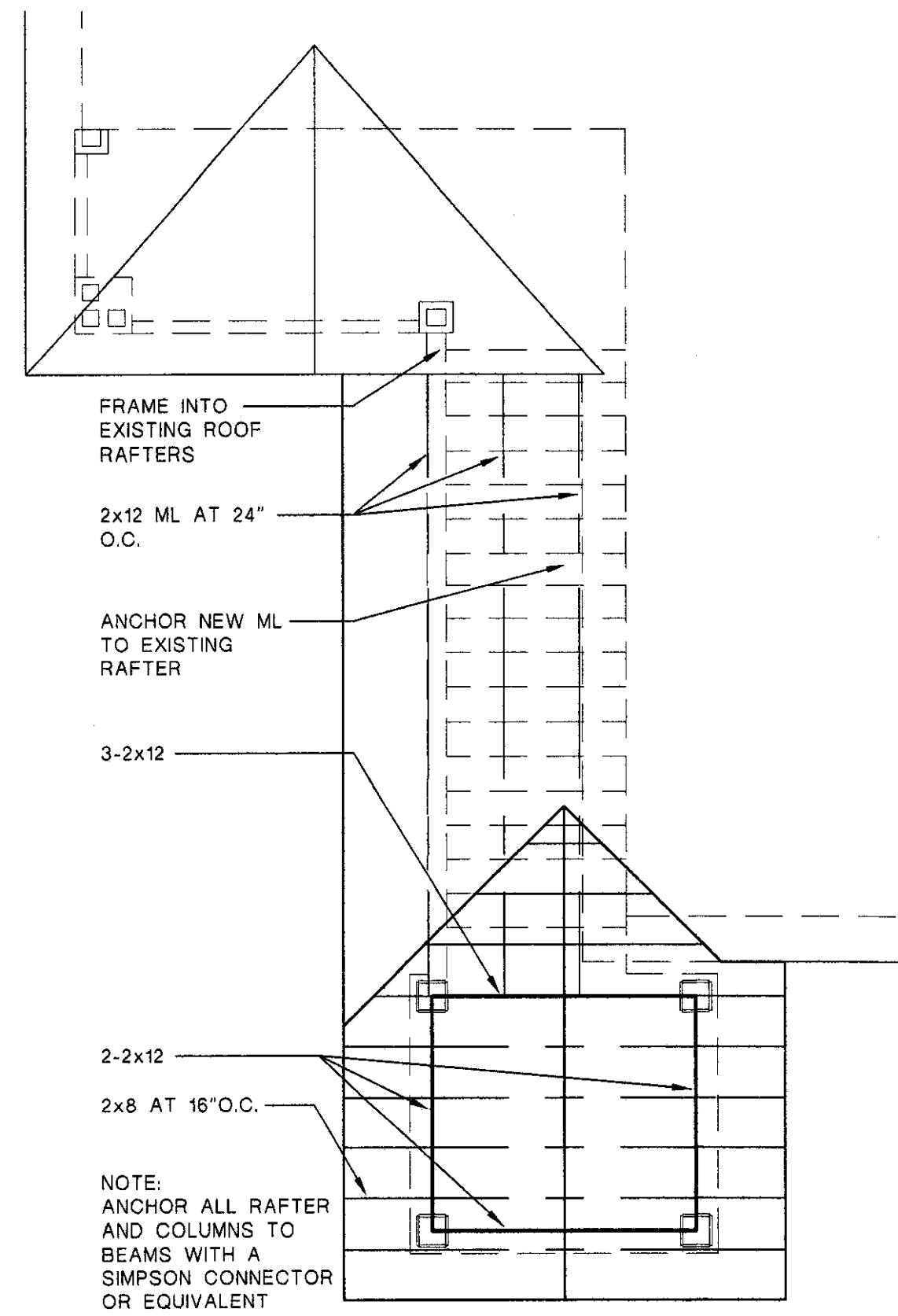
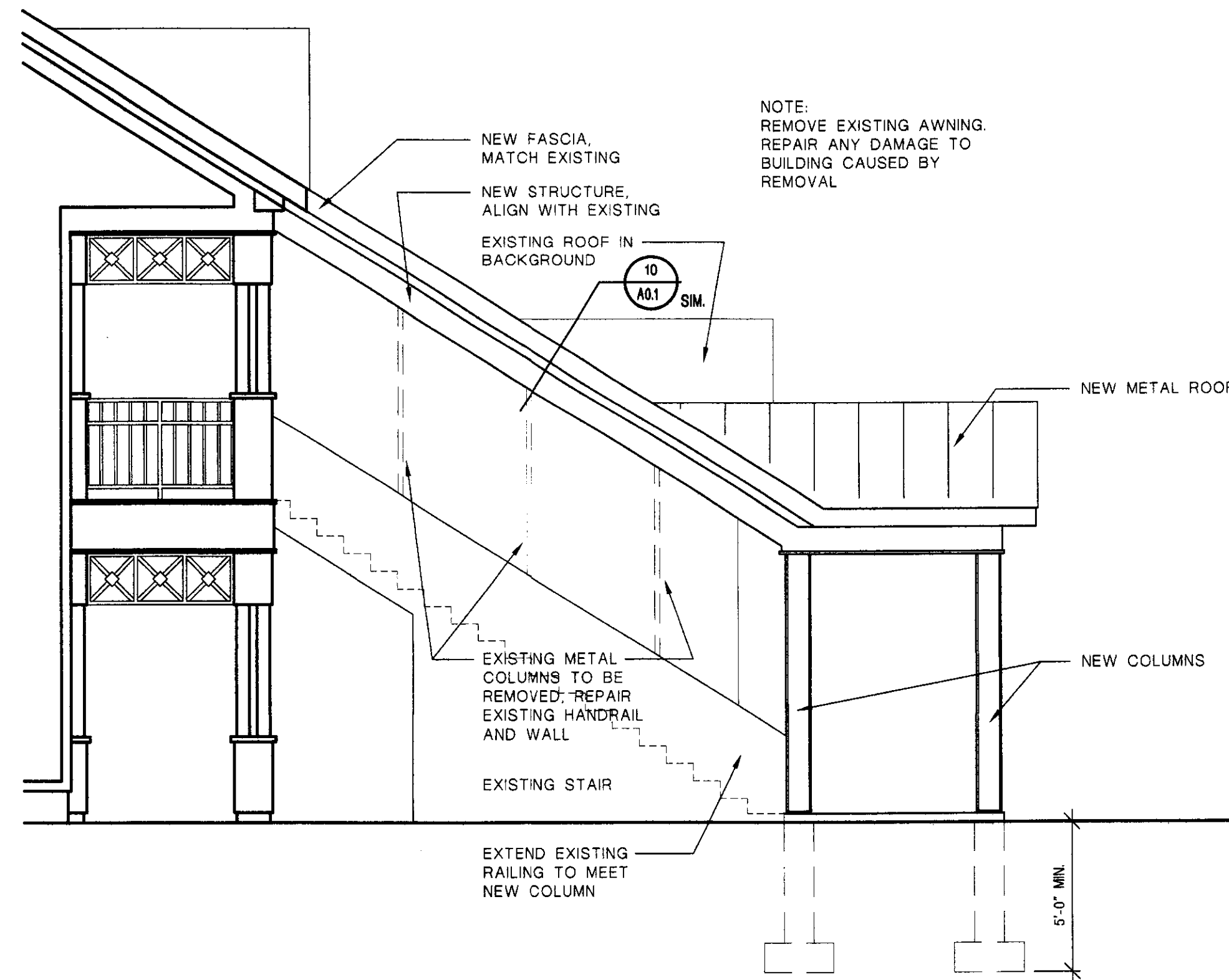


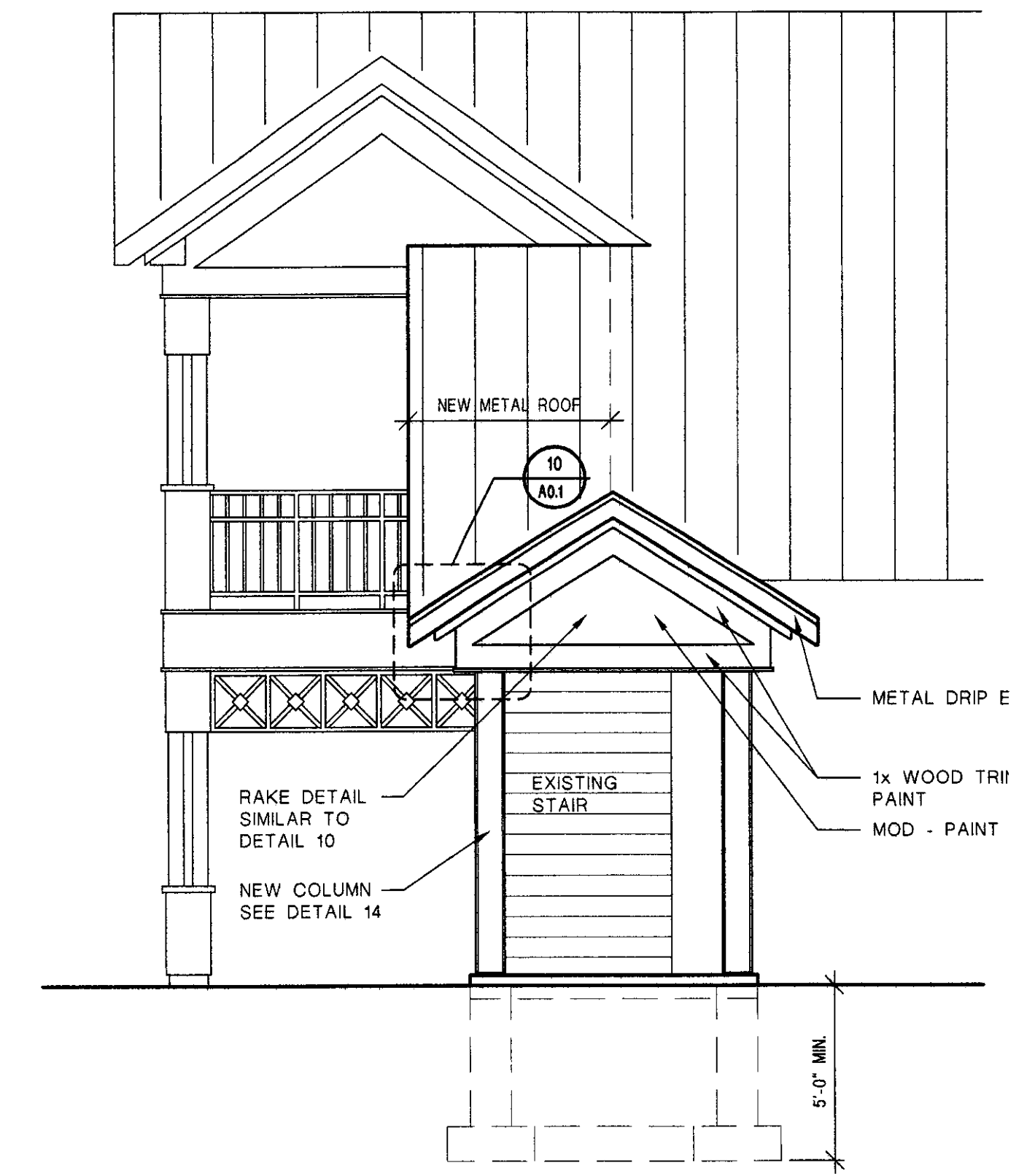
1 FLOOR PLAN  
SCALE: 1/4" = 1'-0"



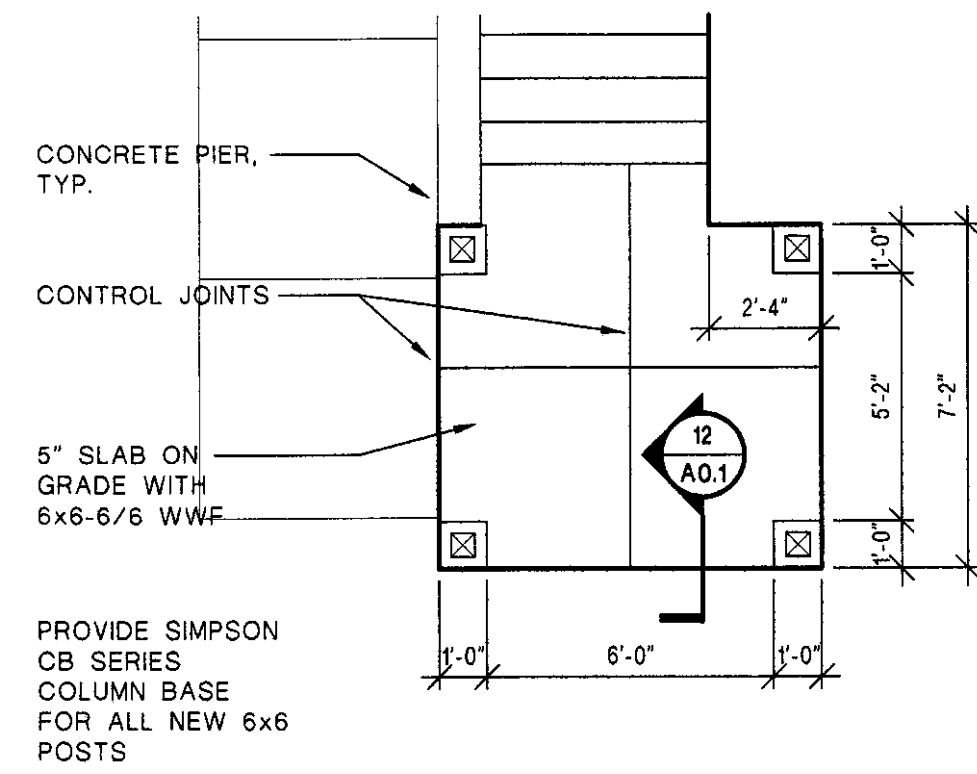
2 FRAMING PLAN  
SCALE: 1/4" = 1'-0"



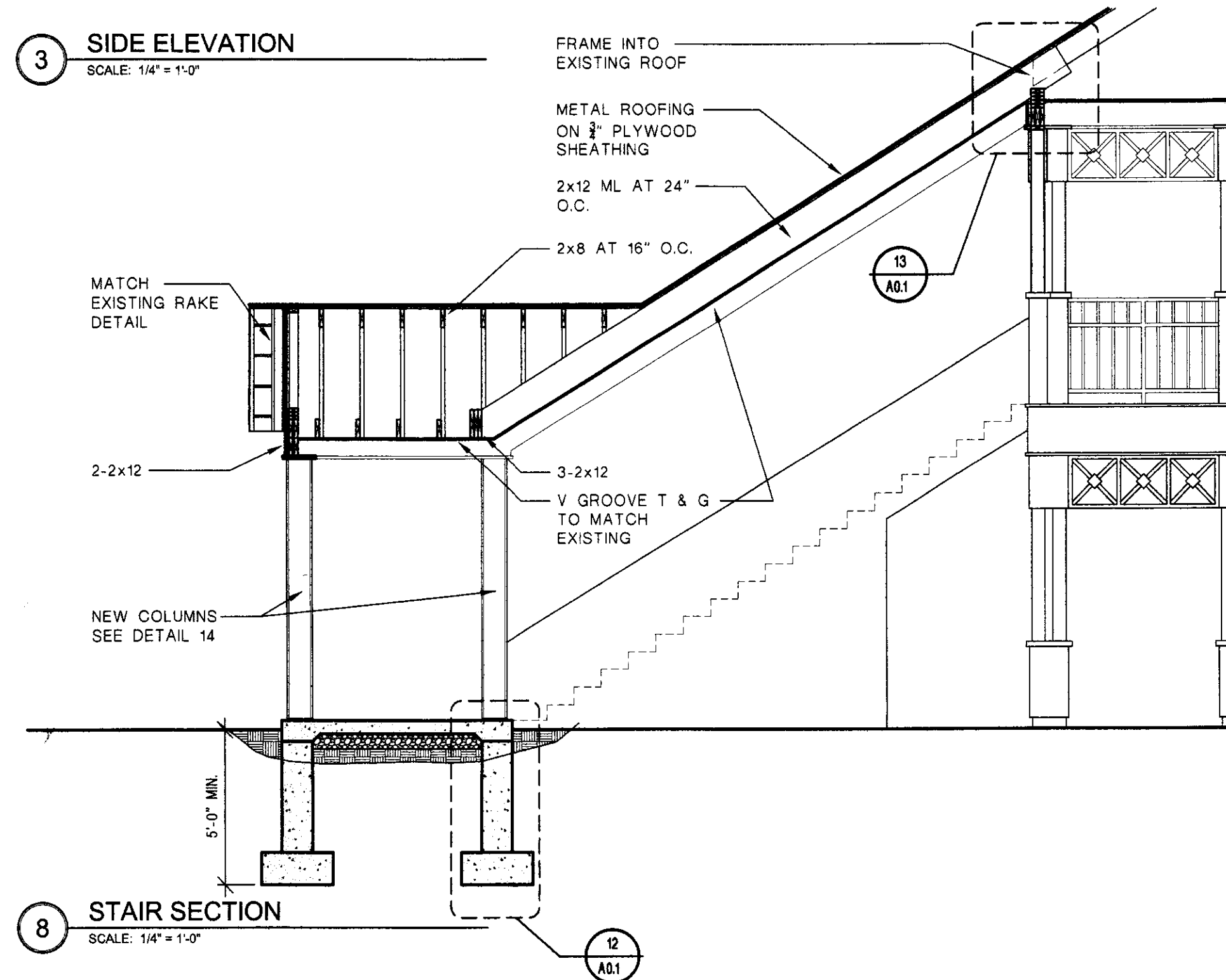
3 SIDE ELEVATION  
SCALE: 1/4" = 1'-0"



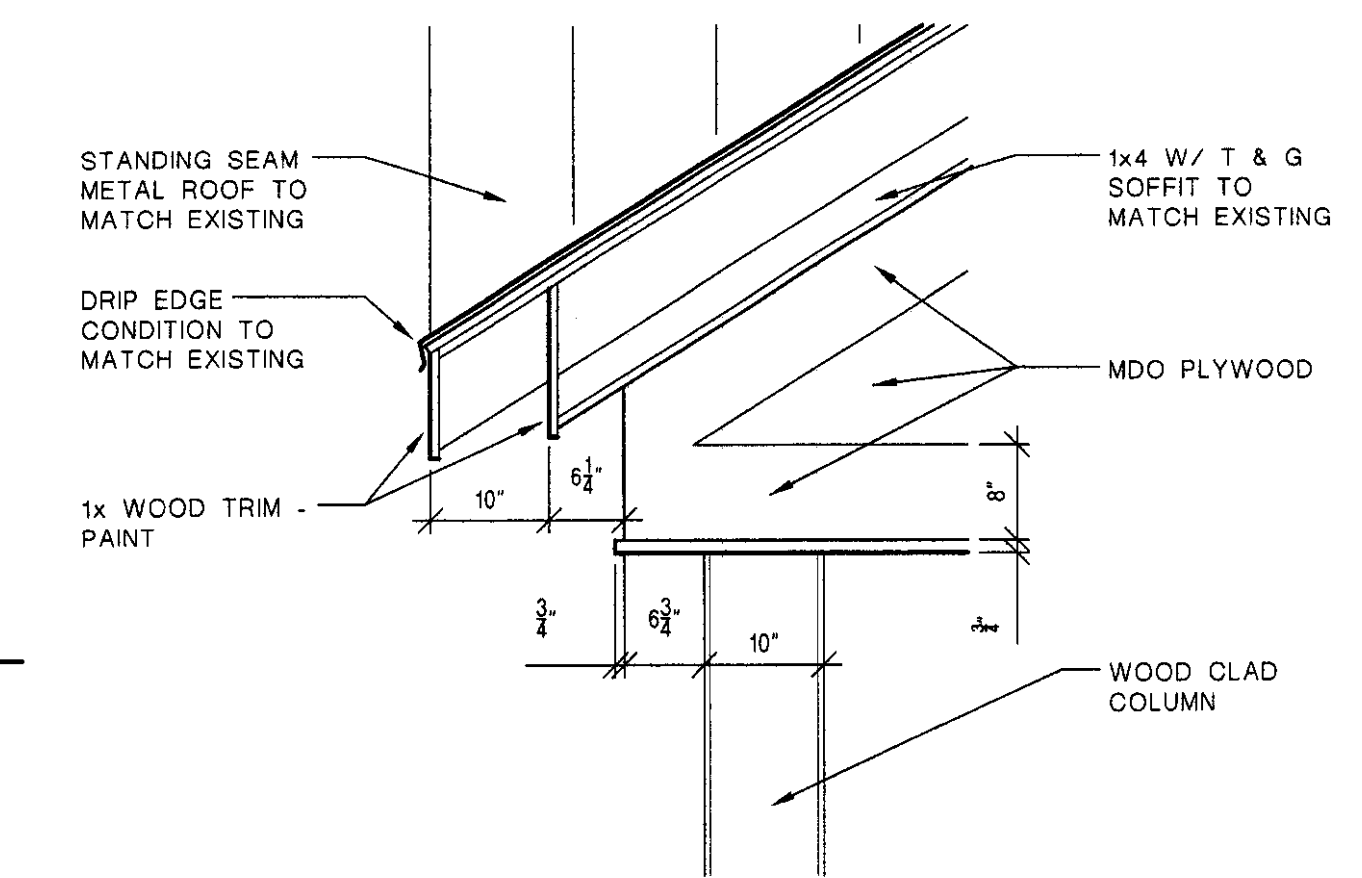
5 FRONT ELEVATION  
SCALE: 1/4" = 1'-0"



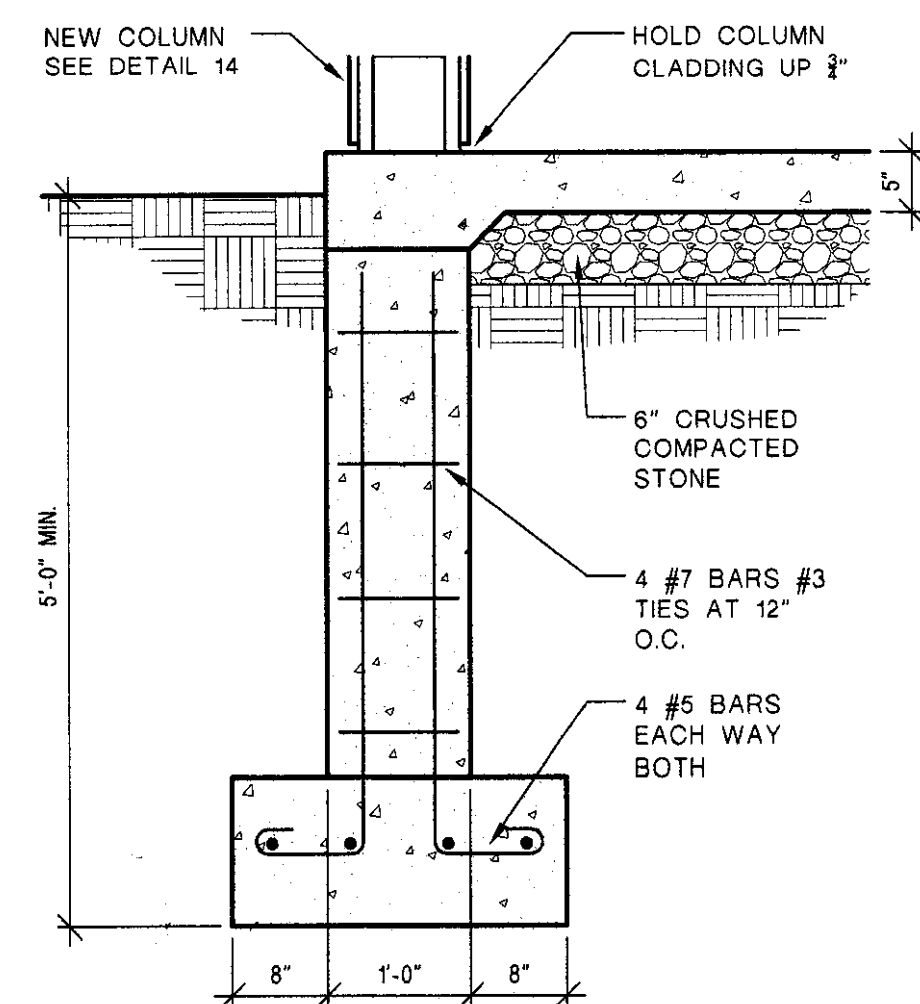
6 FOUNDATION PLAN  
SCALE: 1/4" = 1'-0"



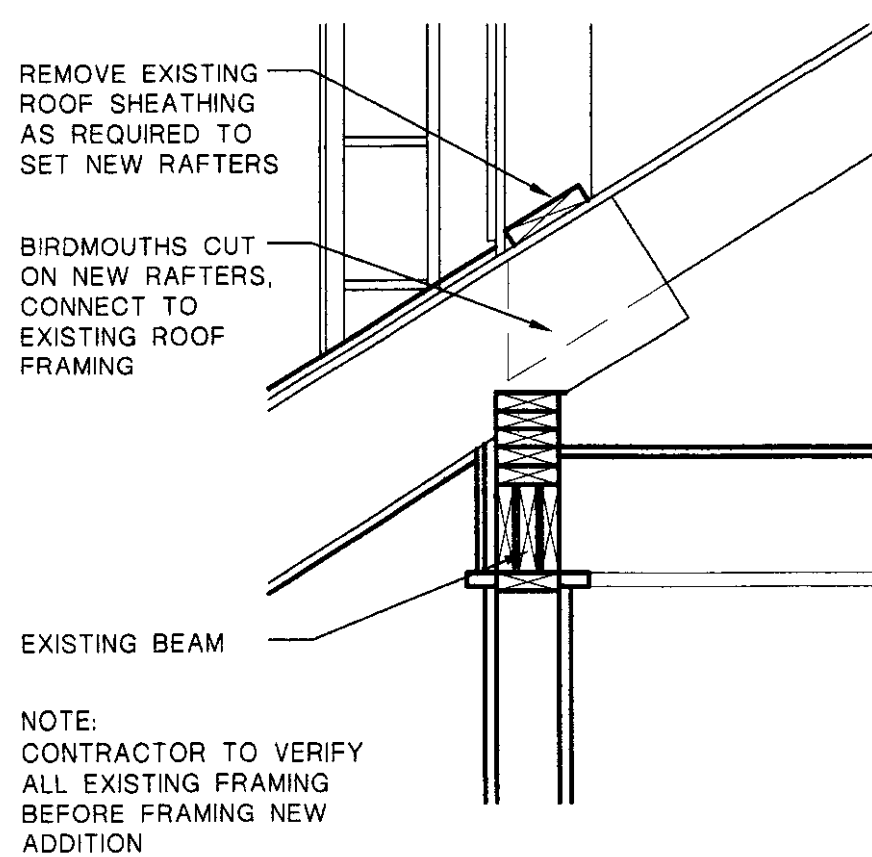
8 STAIR SECTION  
SCALE: 1/4" = 1'-0"



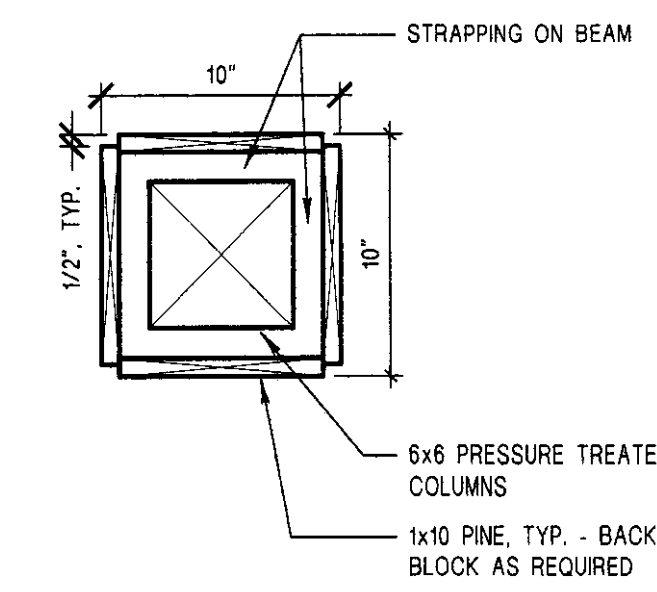
10 NORTH RAKE FASCIA DETAIL  
SCALE: 3/4" = 1'-0"



12 FOUNDATION DETAIL  
SCALE: 3/4" = 1'-0"



13 FRAMING DETAIL  
SCALE: 3/4" = 1'-0"

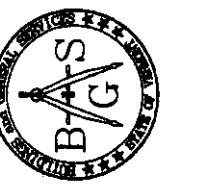


14 SECTION THRU COLUMN  
SCALE: 1 1/2" = 1'-0"



**GBA**  
GOSSENS  
BACHMAN  
ARCHITECTS

85 Granite Shed Lane  
Montpelier, Vermont 05602  
P 802.229.1664 F 802.229.4822



STATE OF VERMONT  
DEPARTMENT OF BUILDINGS  
AND GENERAL SERVICES  
AGENCY OF ADMINISTRATION  
MONTPELIER, VERMONT



**Rutland Airport**

Terminal Building

Rutland, Vermont

Revisions:

Job Number: 0302-105

File Name: REV0302-alt1.dwg

Scale: As Noted

Date: March 2005

MAIN  
TERMINAL ROOF  
EXPANSION  
[BID ALTERNATE #1]

**A0.1**

© Gossens Bachman, Inc.