

**GBA**

**G O S S E N S  
B A C H M A N  
A R C H I T E C T S**

85 Granite Shed Lane  
Montpelier, Vermont 05602  
P 802.229.1664 F 802.229.4822

NO.	TYPE	MANUFACTURER	SIZE (W X H X T)	FINISH
A	GRAB BAR	BOBRICK B-6806	INDICATED ON DRAWINGS	STAINLESS STEEL - SATIN
B	TOILET PAPER DISPENSER	BOBRICK B-7686	N/A	STAINLESS STEEL - BRIGHT
C	SHELF	BOBRICK B-295	INDICATED ON DRAWINGS	STAINLESS STEEL - SATIN
D	CLOTHES HOOK	RAYMOND-393	N/A	CLEAR ALUMINUM
E	PAPER TOWEL DISPENSER	BOBRICK B-262	N/A	STAINLESS STEEL - SATIN
F	SOAP DISPENSER	BOBRICK B-2111	N/A	STAINLESS STEEL - SATIN

TOILET ACCESSORIES SCHEDULE

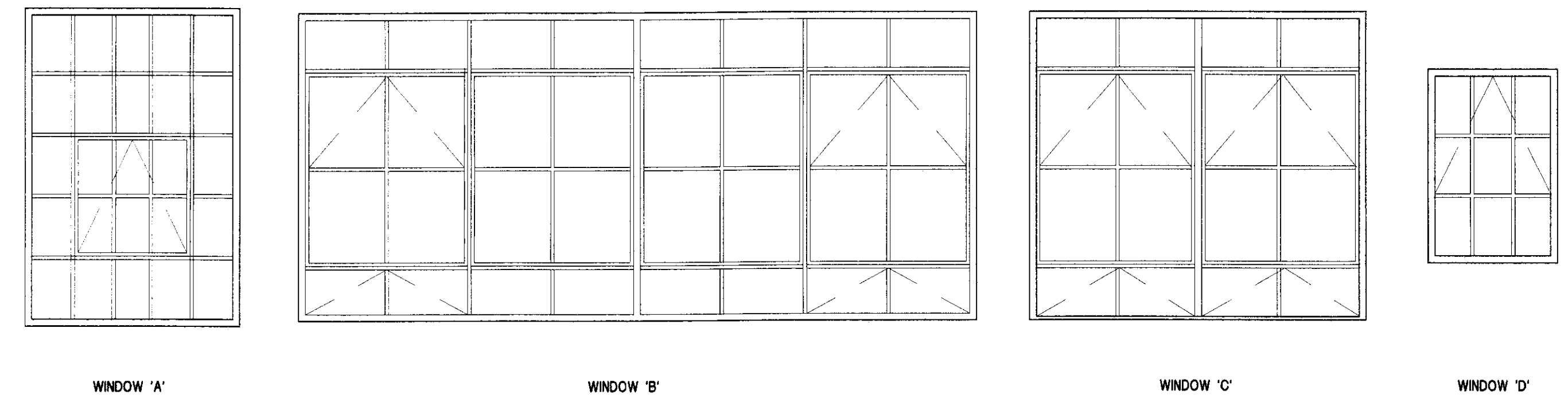
ROOM	FLOOR	NORTH WALL	EAST WALL	SOUTH WALL	WEST WALL	CEILING	REMARKS
101	EAA-CLUBROOM	EXIST.	EXIST.	EXIST.	EXIST.	EXIST.	PATCH AND PAINT ALL AREAS DISTURBED BY NEW WINDOW INSTALLATION. MATCH EXISTING.
102	HALL	EXIST.	EXIST.	EXIST.	EXIST.	EXIST.	
103	EAA-SIDEROOM	EXIST.	EXIST.	EXIST.	EXIST.	EXIST.	PATCH CEILING AS REQ'D. SEE CEILING PLAN.
104	TOILET	VCT NO. 2	VINYL	EXIST.	EXIST.	EXIST.	SEE DEMO PLAN FOR EXISTING CEILING GRID
105	TSA OFFICE	CARPET	REVEAL/VINYL BASE	CMU	PAINT	GYPSPUM	PAINT
106	HALL	VCT NO. 1	REVEAL BASE	EXIST.	PAINT	GYPSPUM	PAINT
107	HALL	VCT NO. 1	REVEAL BASE	EXIST.	PAINT	GYPSPUM	PAINT
108	STORAGE	EXIST.	EXIST.	EXIST.	EXIST.	EXIST.	EXIST.
109	BOILER	EXIST.	EXIST.	EXIST.	EXIST.	EXIST.	EXIST.
110	STORAGE	EXIST.	EXIST.	EXIST.	EXIST.	EXIST.	EXIST.
111	TSA-OFFICE	CARPET	REVEAL/VINYL BASE	EXIST.	EXIST.	GYPSPUM	PAINT
112	HALL	VCT NO. 1	REVEAL BASE	EXIST.	EXIST.	GYPSPUM	PAINT
113	HALL	VCT NO. 1	REVEAL BASE	EXIST.	EXIST.	GYPSPUM	PAINT
115	TSA-OFFICE	CARPET	VINYL BASE	GYPSPUM	PAINT	GYPSPUM	PAINT
116	ELECTRICAL	EXIST.	EXIST.	EXIST.	EXIST.	EXIST.	EXIST.

ROOM FINISH SCHEDULE

NO.	TYPE	MASONRY OPENING (W X H)	FINISH	SCREEN	HDWR.	REMARKS	ELEV.
A	EFCO SERIES 590	5'-3"W X 7'-9"H	FACTORY	YES	FACTORY	VERIFY MASONRY OPENING IN FIELD	SEE A.4.0
B	EFCO SERIES 590	16'-6"W X 7'-6"H	FACTORY	YES	FACTORY	VERIFY MASONRY OPENING IN FIELD	SEE A.4.0
C	EFCO SERIES 590	8'-2"W X 7'-6"H	FACTORY	YES	FACTORY	VERIFY MASONRY OPENING IN FIELD	SEE A.4.0
D	EFCO SERIES 590	4'-8"W X 3'-2"H	FACTORY	YES	FACTORY	VERIFY MASONRY OPENING IN FIELD	SEE A.4.0

- NOTES:
1. ALL WINDOWS WITH INSULATING LOW E GLAZING UNLESS OTHERWISE INDICATED.
  2. VERIFY ALL ROUGH OPENINGS IN FIELD.
  3. ALL WINDOW CONFIGURATIONS AND MUNTIN AND MULLION SPACING BASED ON EXISTING WINDOWS. (FIELD VERIFY)
  4. REPLACEMENT UNITS TO HAVE ONLY OUTSWING AWING WINDOWS.

WINDOW SCHEDULE

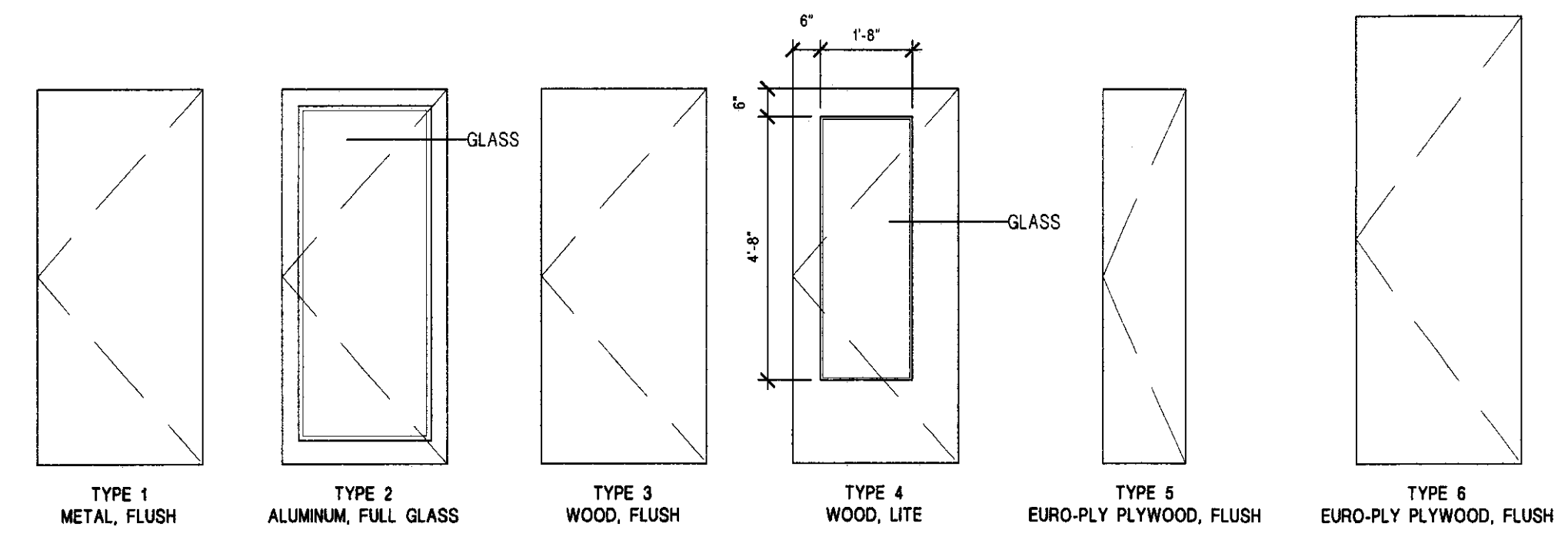


WINDOW TYPES  
(VERIFY EXISTING MUNTIN, MULLION AND OPERABLE WINDOW DIMENSIONS IN FIELD)

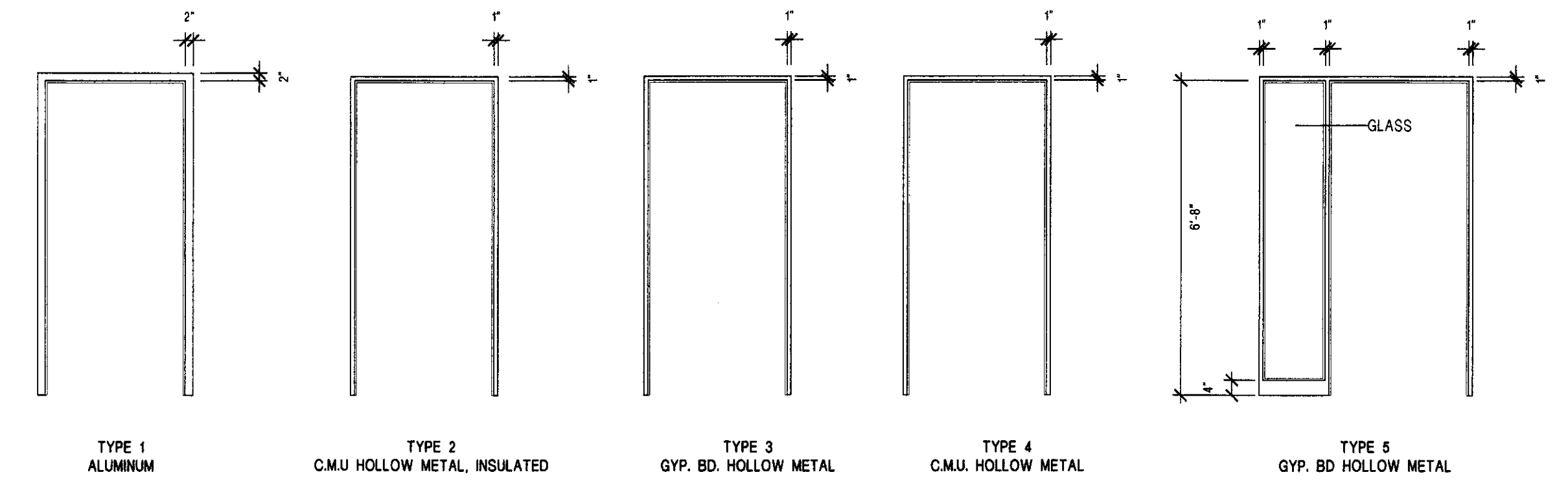
NO.	TYPE	SIZE (W X H X T)	FINISH	FRAME	EXISTING MASONRY R.O.	FRAME FINISH	ELEV.	DETAILS	HDWR. SET	RATING	REMARKS
1	METAL FLUSH TYPE 1	CUSTOM. VERIFY IN FIELD	PAINT	METAL TYPE 2	39" X 88" X 6"	PAINT	3/A4.0	2/A6.1 8/A6.1	A	N/A	REPLACE EXISTING DOOR. VERIFY R.O. IN FIELD. EXTERIOR DOOR AND FRAME TO BE INSULATED.
2	METAL FLUSH TYPE 1	CUSTOM. VERIFY IN FIELD	PAINT	METAL TYPE 2	39" X 89" X 6"	PAINT	1/A4.0	2/A6.1 8/A6.1	A	N/A	REPLACE EXISTING DOOR. VERIFY R.O. IN FIELD. EXTERIOR DOOR AND FRAME TO BE INSULATED.
3	EFCO ALUMINUM TYPE 2	CUSTOM. VERIFY IN FIELD	FACTORY	ALUM TYPE 1	414" X 87.5 X 8"	FACTORY	4/A4.0	1/A6.1 10/A6.1 SM	B	N/A	REPLACE EXISTING DOOR. VERIFY R.O. IN FIELD. EXTERIOR DOOR AND FRAME TO BE THERMALLY BROKEN. 32" CLEAR ACCESS MIN.
4	EFCO ALUMINUM TYPE 2	CUSTOM. VERIFY IN FIELD	FACTORY	ALUM TYPE 1	38" X 90" X 6"	FACTORY	4/A4.0	10/A6.1 11/A6.1	B	N/A	REPLACE EXISTING DOOR. VERIFY R.O. IN FIELD. EXTERIOR DOOR AND FRAME TO BE THERMALLY BROKEN. 32" CLEAR ACCESS MIN.
5	WOOD, LITE TYPE 4	3'-0"W X 8'-8"H X 1 3/4"	PAINT	METAL TYPE 3	N/A	CLEAR	5/A5.1	3/A6.1 7/A6.1 SM	C	N/A	
6	PLYWOOD FLUSH TYPE 6	(2) 1'-6"W X 8'-0"H X 1 1/4"	CLEAR	N/A	N/A	N/A	6/A5.1	SEE ELEV.	-	N/A	CLOSET DOOR CONSTRUCTED FROM 1 1/4" EURO-PLY PLYWOOD
7	WOOD FLUSH TYPE 3	CUSTOM. VERIFY IN FIELD	PAINT	METAL TYPE 4	32 3/4" X 89" X 6"	PAINT	7/A5.1	5-5/A6.1	D	N/A	MINIMUM CLEARANCE MUST BE 32" CLEAR. ENLARGE OPENING AS REQUIRED.
8	WOOD, LITE TYPE 4	3'-0"W X 8'-8"H X 1 3/4"	PAINT	METAL TYPE 4	N/A	PAINT	3-5/A5.1	5-5/A6.1	C	N/A	
9	WOOD FLUSH TYPE 3	3'-0"W X 8'-8"H X 1 3/4"	PAINT	METAL TYPE 5	N/A	PAINT	3/A5.0	3-4/A6.1 7/A6.1 SM	E	N/A	
9A	WOOD FLUSH TYPE 3	3'-0"W X 8'-8"H X 1 3/4"	PAINT	METAL TYPE 5	N/A	PAINT	4/A5.0	3-4/A6.1 7/A6.1 SM	E	N/A	
10	WOOD, LITE TYPE 4	3'-0"W X 8'-8"H X 1 3/4"	PAINT	METAL TYPE 5	N/A	PAINT	3/A5.0	3/A6.1 7/A6.1 SM	E	N/A	
11	PLYWOOD TYPE 6	(2) 2'-0"W X 7'-2"H X 1 1/4"	CLEAR	N/A	N/A	N/A	1/A5.1	SEE ELEV.	-	N/A	CLOSET DOOR CONSTRUCTED FROM 1 1/4" EURO-PLY PLYWOOD
12	PLYWOOD TYPE 6	(2) 2'-0"W X 7'-2"H X 1 1/4"	CLEAR	N/A	N/A	N/A	1/A5.1	SEE ELEV.	-	N/A	CLOSET DOOR CONSTRUCTED FROM 1 1/4" EURO-PLY PLYWOOD
13	WOOD, LITE TYPE 3	3'-0"W X 8'-8"H X 1 3/4"	PAINT	METAL TYPE 3	N/A	PAINT	9/A5.2	3/A6.1 7/A6.1 SM	F	N/A	ALUMINUM FINISH TO BE ON HALLWAY FACE ONLY.
14	WOOD, LITE TYPE 4	3'-0"W X 8'-8"H X 1 3/4"	PAINT	METAL TYPE 3	N/A	PAINT	1/A5.0	3/A6.1 7/A6.1	E	N/A	
15	WOOD FLUSH TYPE 3	3'-0"W X 8'-8"H X 1 3/4"	PAINT	METAL TYPE 3	N/A	PAINT	4/A5.0	3/A6.1 7/A6.1	E	N/A	

- NOTES:
1. GLASS TYPE FOR ABOVE DOORS IS TO BE INSULATED, HEAT TREATED LOW E ARGON FILLED GLASS. UNLESS OTHERWISE INDICATED.
  2. OWNER TO VERIFY KEYING REQUIREMENTS.
  3. ALL EXTERIOR DOORS AND FRAMES TO BE INSULATED UNLESS NOTED OTHERWISE.
  4. VERIFY ALL EXISTING R.O. OPENINGS AND LINTEL HEIGHTS IN FIELD.

DOOR SCHEDULE



DOOR TYPES



FRAME TYPES

**Rutland Airport**

Old Terminal

Rutland, Vermont

Revisions:

Job Number: 0302-105

File Name: Schedules.dwg

Scale: As Noted

Date: March 2005

**SCHEDULES**

**A7.0**

© Gossens Bachman, Inc.