

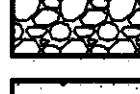









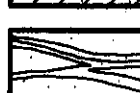






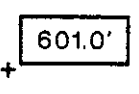

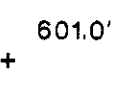

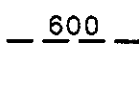

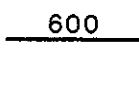

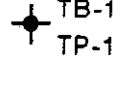
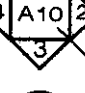
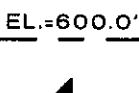
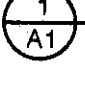



MATERIAL INDICATIONS

	EARTH		FINISH WOOD
	STRUCTURAL FILL		WOOD BLOCKING
	CONCRETE		SHIM SPACE
	LT. WT. CONC. OR PLASTER		PLYWOOD
	BRICK		BATT INSULATION
	C.M.U.		RIGID INSULATION
	CUT STONE		CAULKING OR SEALANT
	MARBLE		COMPRESSIBLE FILLER

ABBREVIATIONS

ACOUST.	ACOUSTICAL	DWG.	DRAWING	INSUL.	INSULAT(ED),(ION)	Q.T.	QUARRY TILE
ACT	ACOUSTICAL TILE	D.I.	DROP INLET	INT.	INTERIOR	QUANT.	QUANTITY
ADD.	ADDENDUM	D.E.B.	DRY ERASE BOARD	INV.	INVERT	R., RAD.	RADIUS
ADJ.	ADJACENT	E	EAST	JT.	JOINT	REC.	RECESSED
AGG.	AGGREGATE	ELEC.	ELECTRICAL	JST.	JOIST(S)	REF.	REFERENCE
A/C	AIR CONDITIONING	E.W.C.	ELECTRIC WATER COOLER	LAM.	LAMINATE	REFRG.	REFRIGERATE(IE),(OR)
ALT.	ALTERNATE	EL.	ELEVATION	LAV.	LAVATORY	REINF.	REINFORCE(D),(ING)
ALUM.	ALUMINUM	ELEV.	ELEVATOR	L.H.	LEFT HAND	RES.	RESILIENT
ANOD.	ANODIZED	ENCL.	ENCLOSURE	L.	LENGTH, LONG	RET.	RETURN OR RETAINING
ASPH.	ASPHALT	ENTR.	ENTRANCE	L.T.	LIGHT	REV.	REVISION(S), REVISED
AUTO.	AUTOMATIC	EQ.	EQUAL	LT.	LIGHT	REQD.	REQUIRED
BSMT.	BASEMENT	EQUIP.	EQUIPMENT	LT. WT.	LIGHT WEIGHT	R.H.	RIGHT HAND
B.M.	BENCHMARK	EST.	ESTIMATE(D)	L.L.	LIVE LOAD	R.O.W.	RIGHT OF WAY
BIT.	BITUMINOUS	EXCAV.	EXCAVATE	LVR.	LOUVER	R.	RISER
BLKG.	BLOCKING	EXH.	EXHAUST	LIN.	LINOLEUM	R.D.	ROOF DRAIN
BD.	BOARD	EXIST.	EXISTING	MACH.	MACHINE	RFG.	ROOFING
BOT.	BOTTOM	EXP.	EXPANSION	M.H.	MANHOLE	RM	ROOM
B.C.	BOTTOM OF CURB	E.J.	EXPANSION JOINT	MFR.	MANUFACTURER	RND.	ROUND
BND.	BOUNDARY	EXT.	EXTERIOR	MAS.	MASONRY	R.O.	ROUGH OPENING
BRNZ.	BRONZE	F.O.C.	FACE OF CONCRETE	M.O.	MASONRY OPENING	SCHED.	SCHEDULE
BLDG.	BUILDING	F.O.F.	FACE OF FINISH	M/L	MATCH LINE	SECT.	SECTION
B.U.R.	BUILT-UP ROOFING	F.O.M.	FACE OF MASONRY	MAT.	MATERIAL	SHTG.	SHEATHING
CAB.	CABINET	FIBERBD.	FIBERBOARD	MAX.	MAXIMUM	SHT.	SHEET
CPT.	CARPET	FIBERGL.	FIBERGLASS	MECH.	MECHANICAL	SDG.	SIDING
CSMT.	CASEMENT	FIN.	FINISH(ED)	MED.	MEDIUM	SIM.	SIMILAR
C.I.	CAST IRON	F.F.EL.	FINISHED FLOOR ELEVATION	MEMB.	MEMBRANE	S	SOUTH
C.B.	CATCH BASIN	F.E.	FIRE EXTINGUISHER	MTL.	METAL, METALLIC	SPKR.	SPEAKER
CLKG.	CAULKING	F.E.C.	FIRE EXTINGUISHER CABINET	M.	METER	SPR.	SPRINKLER
CLG.	CEILING	F.H.C.	FIRE HOSE CABINET	MM	MILLIMETER	SQ.	SQUARE
CEM.	CEMENT OR CEMENTITIOUS	FRPF.	FIREPROOF	MLWK.	MILLWORK	S.S.	STAINLESS STEEL
CTR.	CENTER	FLASH.	FLASHING	MIN.	MINIMUM	STD.	STANDARD
C.L.	CENTER LINE	FL.	FLOOR	MDG.	MOLDING	STL.	STEEL
CER.	CERAMIC	FLG.	FLOORING	MTD.	MOUNTED	STOR.	STORAGE
C.T.	CERAMIC TILE	F.D.	FLOOR DRAIN	MULL.	MULLION	STRUC.	STRUCTURAL
CHNL.	CHANNEL	FLUOR.	FLUORESCENT	NAT.	NATURAL	SUSP.	SUSPENDED
CHR.	CHROMIUM (PLATED)	FTG.	FOOTING	N.R.C.	NOISE REDUCTION COEFFICIENT	SYS.	SYSTEM
CLR.	CLEAR(ANCE)	FDN.	FOUNDATION	NOM.	NOMINAL	TEL.	TELEPHONE
COL.	COLUMN	FR.	FRAME(D),(ING)	N	NORTH	TV	TELEVISION
COMB.	COMBINE, COMBINATION	F.S.	FULL SIZE	N/A	NOT APPLICABLE	THK.(T)	THICK(NESS)
COMP.	COMPRESS(ED),(ION),(IBLE)	FUR.	FURRED(ING)	N.I.C.	NOT IN CONTRACT	T.PTN.	TOILET PARTITION
CONC.	CONCRETE	FUT.	FUTURE	N.T.S.	NOT TO SCALE	T & G	TONGUE AND GROOVE
C.M.U.	CONCRETE MASONRY UNIT	GAL.	GALLON	O.C.	ON CENTER	T.C.	TOP OF CURB
CONN.	CONNECT, CONNECTION	GALV.	GALVANIZED	OPNG.	OPENING	T.O.S.	TOP OF SLAB
CONST.	CONSTRUCTION	GA.	GAUGE	OPP.	OPPOSITE	T.O.STL.	TOP OF STEEL
CONT.	CONTINUOUS, CONTINUE	G.G.	GENERAL CONTRACTOR	O.H.	OPPOSITE HAND	T.O.W.	TOP OF WALL
C.J.	CONSTRUCTION JOINT	GL.	GLASS, GLAZED	O.D.	OUTSIDE DIAMETER	T.	TREAD
C.JT.	CONTROL JOINT	GRD.	GRADE	OVHD.	OVERHEAD	TYP.	TYPICAL
CORR.	CORRUGATED, CORRIDOR	GRND.	GROUND	PTD.	PAINTED	U.N.O.	UNLESS NOTED OTHERWISE
CNTR.	COUNTER	GYP. BD.	GYPSUM BOARD	PR.	PAIR	VERT.	VERTICAL
CSNK.	COUNTERSUNK	H.B.	HOSE BIB	PNL.	PANEL	V.G.	VERTICAL GRAIN
C.S.	COUNTERSUNK SCREW	HDRL.	HANDRAIL	PAR.	PARALLEL	VIN.	VINYL
DEM.	DEMOLISH, DEMOLITION	HDWR.	HARDWARE	PART. BD.	PARTICLE BOARD	V.C.T.	VINYL COMPOSITION TILE
DMT.	DEMOUNTABLE	HDR.	HEADER	PTN.	PARTITION	V.W.C.	VINYL WALL COVERING
DET.	DETAIL	HTG.	HEATING	PVMT.	PAVEMENT	V.P.	VISION PANEL
D.	DEEP, DEPTH	HVAC	HEATING, VENTILATING, A/C	PERF.	PERFORATED	W.C.	WATER CLOSET
DIAG.	DIAGONAL	H.D.	HEAVY DUTY	PERP.	PERPENDICULAR	W.W.F.	PERIMETER
DIA.	DIAMETER	HT., H.	HEIGHT	PERIM.	PERIMETER	W	WEST
DIM.	DIMENSION	H.P.	HIGH POINT	PLAS.	PLASTER	W.	WIDTH, WIDE
DISP.	DISPENSER, DISPOSAL UNIT	H.M.	HOLLOW METAL	PL. LAM.	PLASTIC LAMINATE	WDW.	WINDOW
DIV.	DIVISION	HORIZ.	HORIZONTAL	PL.	PLATE	W.GL.	WIRE GLASS
DR.	DOOR	INCL.	INCLUDE(D),(ING), INCLUSIVE	PLYWD.	PLYWOOD	W/	WITH
D.H.	DOUBLE HUNG	I.D.	INSIDE DIAMETER	PVC	POLYVINYL CHLORIDE	W/O	WITHOUT
DN.	DOWN					WD.	WOOD
D.T.	DRAINAGE TILE					W.I.	WROUGHT IRON

SYMBOLS

	REVISION DESIGNATION		NEW PT. ELEVATION
	DOOR DESIGNATION		EXIST. PT. ELEVATION
	WINDOW TYPE		EXISTING CONTOUR
	GLASS TYPE		NEW CONTOUR
	PARTITION TYPE		TEST BORING
	EL. NO. INTERIOR ELEVATIONS		TEST PIT
	SHEET NO.		ELEVATION LINE
	WALL OR DETAIL SECTION		BUILDING SECTION

PROJECT INFORMATION

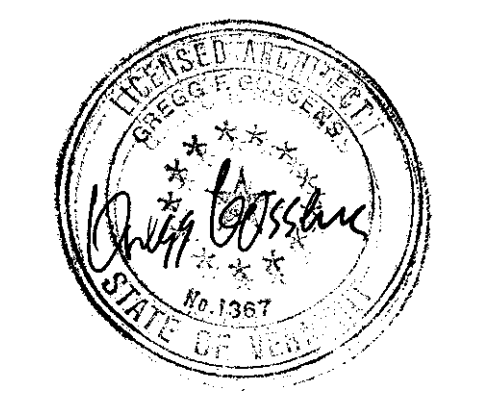
BUILDING INFORMATION:	OLD TERMINAL	NEW TERMINAL
USE GROUP CLASSIFICATION:	BUSINESS (B) / MODERATE HAZARD AND INDUSTRIAL (I-F)	BUSINESS (B)
CONSTRUCTION TYPE:	2C NONCOMBUSTIBLE/UNPROTECTED	5B UNPROTECTED
PROJECT SQUARE FOOTAGE:	1,000 SQ. FT.	200 S.F. ADDITION AND 192 S.F. NEW FLOOR OPENING AT SECOND FLOOR
TOTAL EXISTING BUILDING SQUARE FOOTAGE:	9,000 SQ. FT.	FIRST LEVEL-3,700 S.F./SECOND LEVEL 3,200 S.F.
ALLOWABLE AREA: PER TABLE 501 (BOCA 1987)	TOTAL AREA ALLOWED PER FLOOR:	14,400 SQ. FT.
	TOTAL FLOORS ALLOWED:	3 STORY- 40' HIGH
		7,200 SQ. FT.
		2 STORY- 30' HIGH
FIRE RESISTANCE RATINGS OF STRUCTURE ELEMENTS:		
EXTERIOR WALLS, LOADBEARING	0 HOURS	0 HOURS
EXTERIOR WALLS, NONLOADBEARING	0 HOURS	0 HOURS
FIRE WALLS AND PARTY WALLS	3 HOURS	2 HOURS
FIRE SEPARATION ASSEMBLIES	3 HOURS	1 HOURS
SMOKE BARRIERS	1 HOUR	1 HOUR
FIRE ENCLOSURES OF EXITS, EXIT HALLWAYS AND STAIRWAYS	2 HOUR	2 HOUR
SHAFTS AND ELEVATOR HOISTWAYS	2 HOUR	1 HOUR
EXIT ACCESS CORRIDORS	1 HOUR	1 HOUR
STRUCTURAL MEMBERS SUPPORTING WALLS	0 HOURS	0 HOURS
ALL OTHER STRUCT. MEMBERS OR PARTITIONS	0 HOURS	0 HOURS
ROOF CONSTRUCTION	0 HOURS	0 HOURS
OCCUPANT LOAD CALCULATION:		
BUSINESS	100 SQ. FT. / OCCUPANT :	10 OCCUPANTS
		59 OCCUPANTS

GENERAL DEMOLITION NOTES

- REFER TO SITE/CIVIL, STRUCTURAL, MECHANICAL AND ELECTRICAL DRAWINGS AND SPECIFICATIONS FOR DEMOLITION PERTAINING TO THOSE TRADES AND SCOPE OF WORK.
- REFER TO SPECIFICATIONS SECTION 01045 (CUTTING AND PATCHING) FOR GENERAL GUIDELINES AND REQUIREMENTS FOR DEMOLITION AND RELATED WORK.
- SEE STRUCTURAL FOR NEW FRAMING AND LINTELS AT DEMOLISHED LOAD BEARING WALLS. REFER TO SPECIFICATIONS FOR SHORING AND BRACING.
- CONTRACTOR TO DO ALL DEMOLITION WORK REQUIRED TO ACCOMPLISH NEW CONSTRUCTION AND WORK.
- REFER TO FLOOR PLANS FOR DIMENSIONAL REQUIREMENTS OF DEMOLITION WORK.
- PROVIDE TEMPORARY PROTECTION AND SEPARATION MEASURES REQUIRED PER ALL PERTAINING REGULATIONS FOR BUILDING OCCUPANTS DURING DEMOLITION/CONSTRUCTION WORK.
- THE OWNER WILL REMOVE ALL NON-BUILT-IN EQUIPMENT AND FURNISHINGS BEFORE THE CONTRACTOR'S SCHEDULED DEMOLITION WORK. UNLESS NOTED OTHERWISE, THE CONTRACTOR OWNS AND IS RESPONSIBLE FOR ALL REMOVED AND DEMOLISHED ITEMS.
- WHEN REMOVING EXISTING C.M.U. SAW CUT OR REMOVE ADJACENT BLOCK IN A MANNER THAT NEW INFILL C.M.U. CAN BE "LACED" IN OR INSTALLED WITH A NEAT, EVEN AND "CLEAN" APPEARANCE.
- AFTER REMOVING WALLS, DOORS, LOCKERS, CASEWORK, FIXTURES ETC... PATCH AND REPAIR WALLS AND WALL FINISHES PER SPECIFICATIONS.
- AFTER REMOVING WALLS, DOORS, LOCKERS, CASEWORK, FIXTURES ETC... PATCH AND FILL FLOOR AREAS AS REQUIRED TO INSTALL NEW FLOOR FINISHES OVER EXISTING FINISH MATERIALS.
- IN ALL AREAS THAT NEW FLOORING IS TO BE INSTALLED OVER EXISTING FLOORING, CONTRACTOR TO PREPARE EXISTING FLOOR PER NEW FLOORING MANUFACTURER'S REQUIREMENTS FOR INSTALLATION.
- PATCH AND REPAIR FLOOR SLABS WITH NEW CONCRETE TO ACCOMMODATE NEW FLOOR FINISHES WHERE REQUIRED FROM THE RESULTS OF DEMOLITION WORK.
- THE INFORMATION CONTAINED ON THESE DRAWINGS WITH REGARD TO EXISTING CONDITIONS OF CONSTRUCTION IN NO WAY RELEASES ANY OF THE CONTRACTORS FROM THE RESPONSIBILITY FOR VERIFYING COMPLETELY ALL FIELD CONDITIONS RELATING TO AND AFFECTING THE EXECUTION OF THEIR WORK, AS DESCRIBED IN THESE CONTRACT DOCUMENTS.
- THE ARCHITECT HAS ENDEAVORED TO IDENTIFY AS COMPLETELY AS POSSIBLE IN THE DRAWINGS AND SPECIFICATIONS EXISTING ITEMS OF EQUIPMENT AND CONSTRUCTION THAT ARE REQUIRED TO BE REMOVED OR OTHERWISE DEMOLISHED AS TO ALLOW THE EXECUTION OF NEW WORK. THIS INFORMATION IS PROVIDED FOR THE CONVENIENCE OF EACH CONTRACTOR, AND IS IN NO WAY INTENDED TO MEAN THAT DEMOLITION IS LIMITED ONLY TO THOSE ITEMS SPECIFICALLY IDENTIFIED. IT IS EACH CONTRACTOR'S RESPONSIBILITY TO EXECUTE DEMOLITION WORK AS REQUIRED TO ALLOW THE EXECUTION OF THEIR NEW WORK.
- EACH CONTRACTOR AND AFFECTED SUBCONTRACTOR SHALL VISIT THE PROJECT SITE PRIOR TO SUBMITTING A PROPOSAL. EACH CONTRACTOR SHALL BECOME GENERALLY FAMILIAR WITH THE PROJECT, AND WITH THE IMPACT OF THE NEW WORK ON THE EXISTING CONDITIONS. ANY AREAS OF CONCERN SHALL BE BROUGHT TO THE ATTENTION OF THE ARCHITECT PRIOR TO SUBMITTING A PROPOSAL. NO ADDITIONAL CHARGE TO THE OWNER WILL BE APPROVED WHICH IS ATTRIBUTABLE TO THE CONTRACTOR'S FAILURE TO DO THIS.
- ASBESTOS LOCATION AND ABATEMENT- THESE PLANS AND SPECIFICATIONS DO NOT CONTAIN INFORMATION WHERE ASBESTOS MAY BE LOCATED NOR HAVE THEY BEEN PREPARED IN CONTEMPLATION OF ASBESTOS REMOVAL. THE STATE OF VERMONT REPRESENTS THAT AN ASBESTOS SURVEY AND SAMPLE ANALYSIS WAS UNDERTAKEN BY B.G.S. IN JUNE 2001 AND NONE WAS DETECTED. IN THE EVENT THAT ASBESTOS OR OTHER HAZARDOUS MATERIAL IS DISCOVERED DURING THE COURSE OF THE WORK, THE CONTRACTOR SHOULD CONTACT THE OWNER DIRECTLY WITH RESPECT TO ABATEMENT. THE ARCHITECT UNDERTAKES NO RESPONSIBILITY TO PROVIDE SUCH INFORMATION OR GUIDANCE.

GENERAL NOTES

- ALL DIMENSIONS ARE FROM FACE OF STUD TO FACE OF STUD UNLESS INDICATED OTHERWISE.
- DO NOT SCALE DIMENSIONS FROM DRAWINGS. IN THE CASE OF MISSING OR CONFLICTING DIMENSIONS, CONTACT THE ARCHITECT.
- PROVIDE BLOCKING IN WALLS TO ACCEPT GRAB BARS, HANDRAILS, CLOSET RODS, ETC.
- AT FIRE RATED PARTITIONS, CEILINGS, AND FLOORS, ALL PENETRATIONS AND GAPS ARE TO BE SEALED WITH FIRE STOPPING MATERIAL WITH AN APPROVED RATING THE SAME AS THE WALL.
- UNLESS OTHERWISE NOTED, WHERE GYPSUM BOARD TERMINATES AGAINST EXISTING MASONRY WALL USE RIGID VINYL BEAD WITH TEAR AWAY STRIP. CAULK AND PAINT RESULTING JOINT.
- ALL GYPSUM TO BE 5/8" THICK.



**GOSSENS
BACHMAN
ARCHITECTS**
85 Granite Shed Lane
Montpelier, Vermont 05602
P 802.229.1664 F 802.229.4822

**Rutland
Airport**

Old Terminal

Rutland, Vermont

Revisions:

Job Number: 0302-105

File Name: 0302-Plan.dwg

Scale: As Noted

Date: March, 2005

NOTES AND INFORMATION

