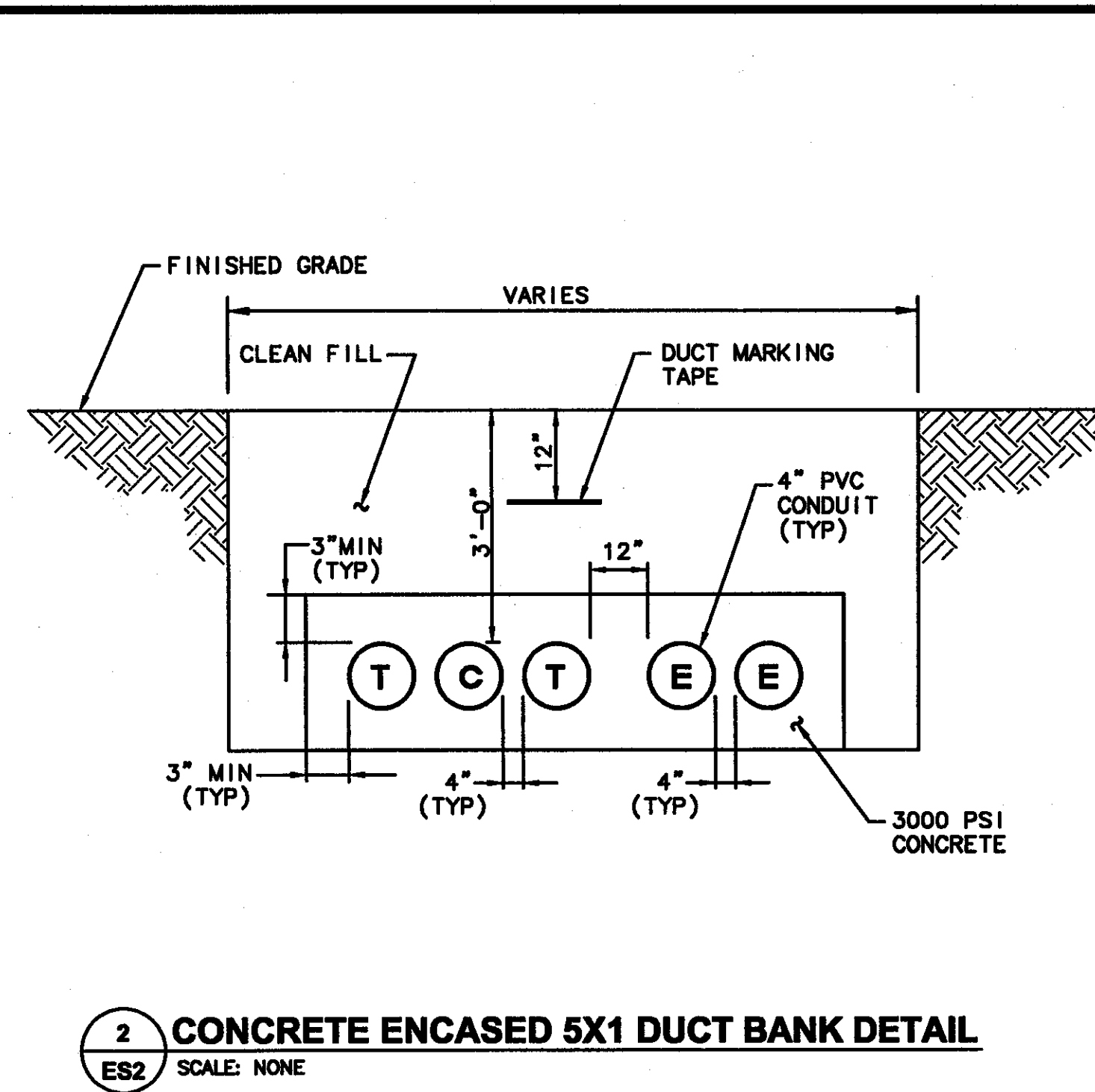
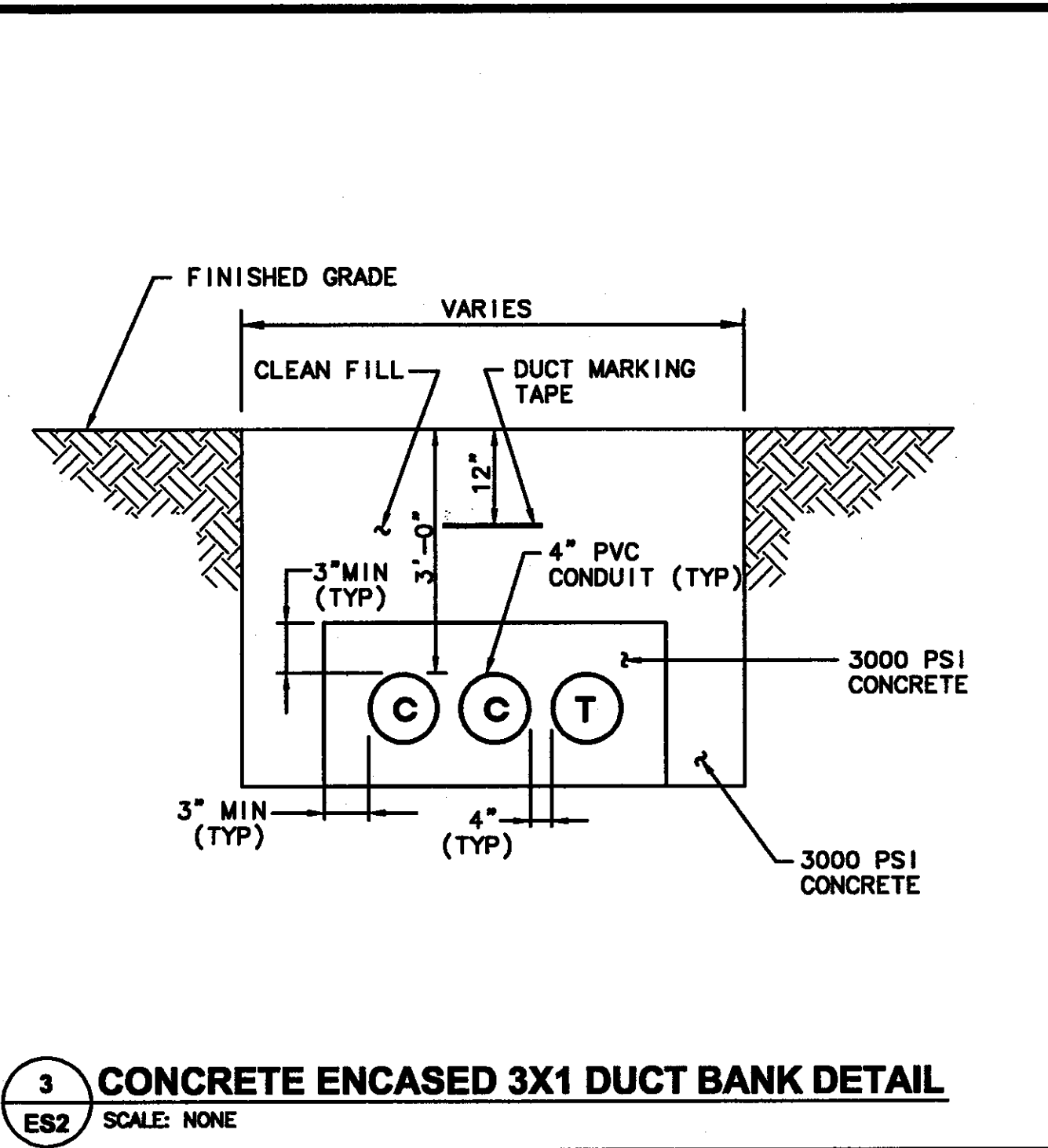


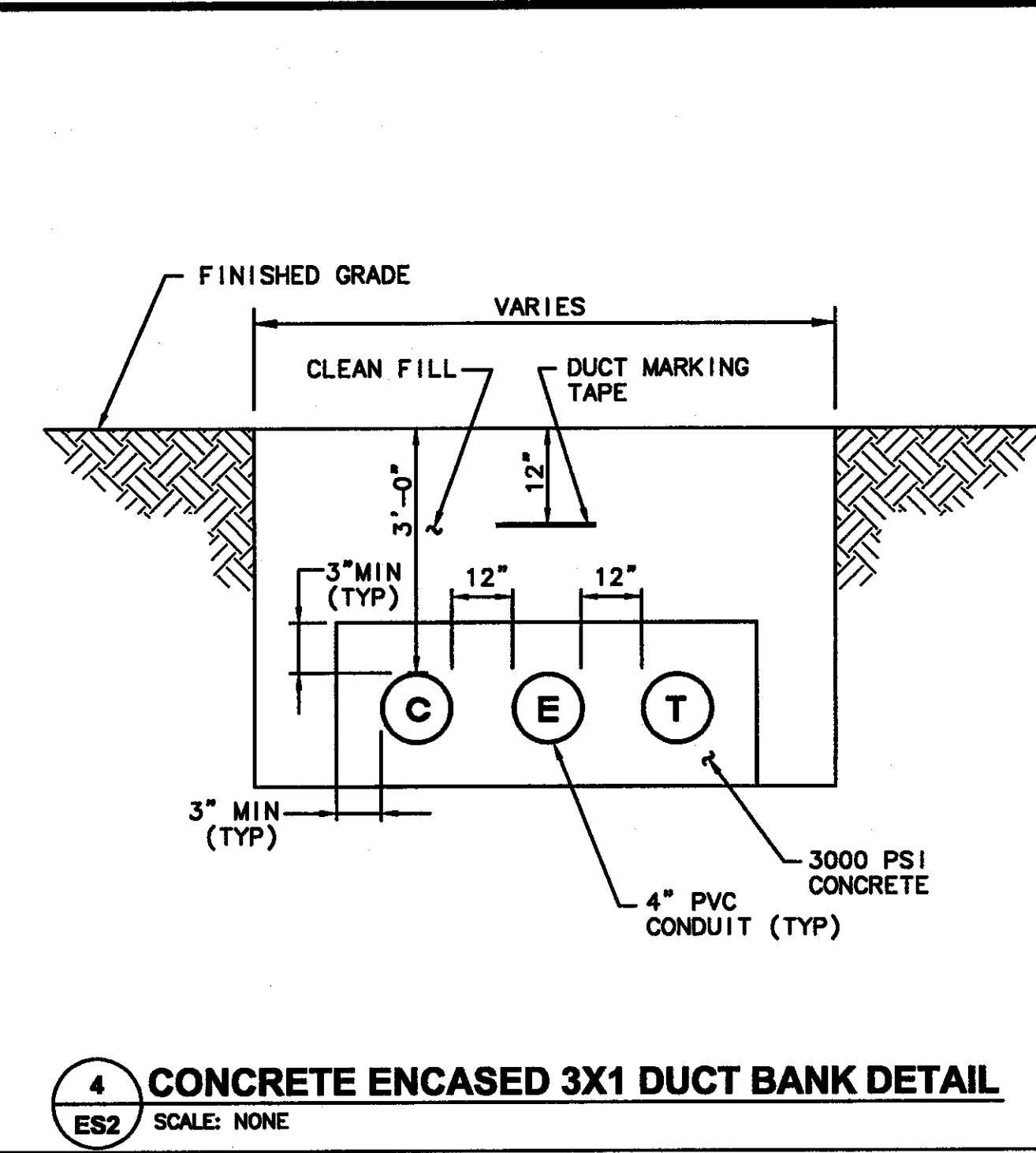
1 CONCRETE ENCASED 5X1 DUCT BANK DETAIL  
ES2 SCALE: NONE



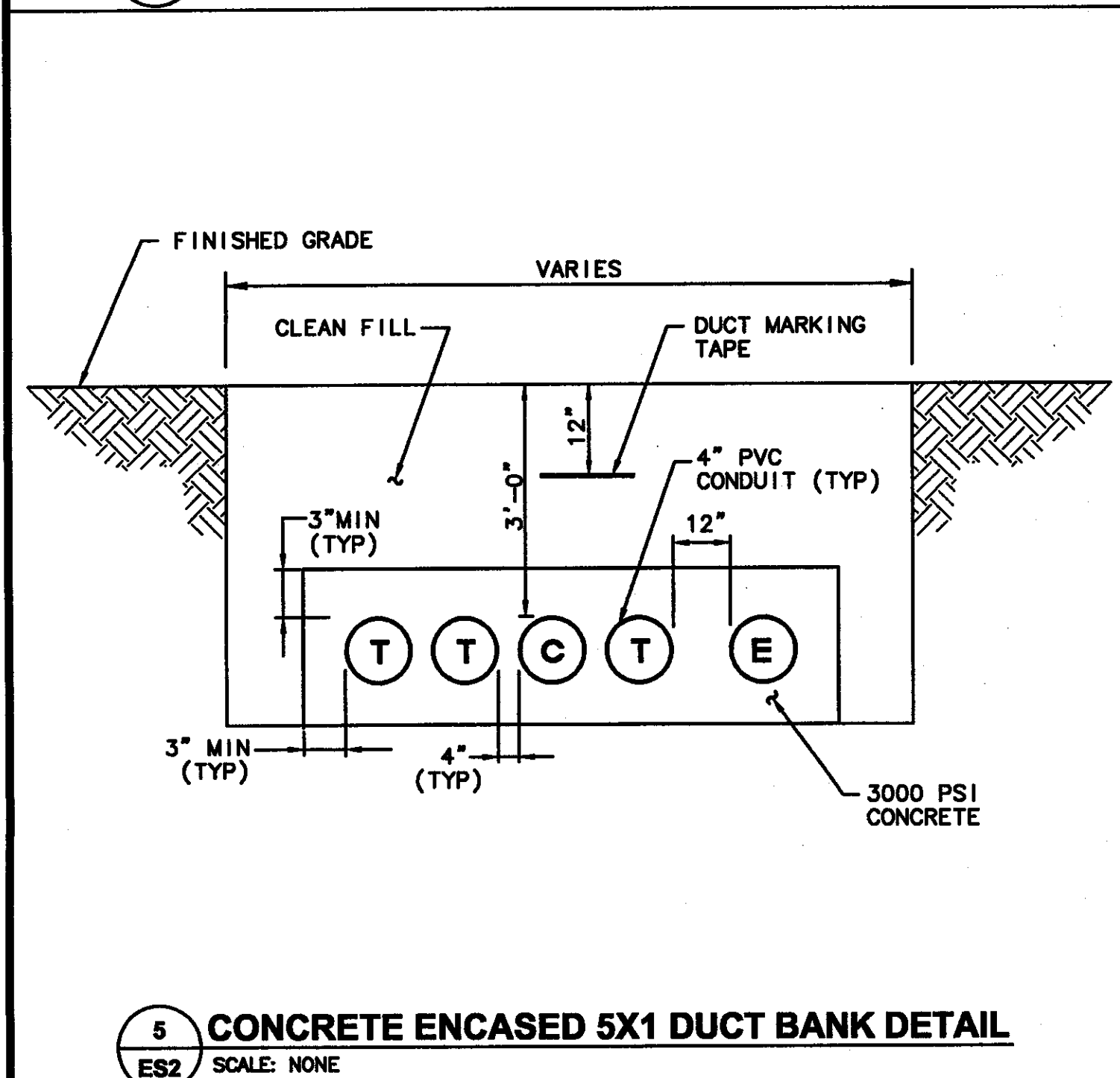
2 CONCRETE ENCASED 5X1 DUCT BANK DETAIL  
ES2 SCALE: NONE



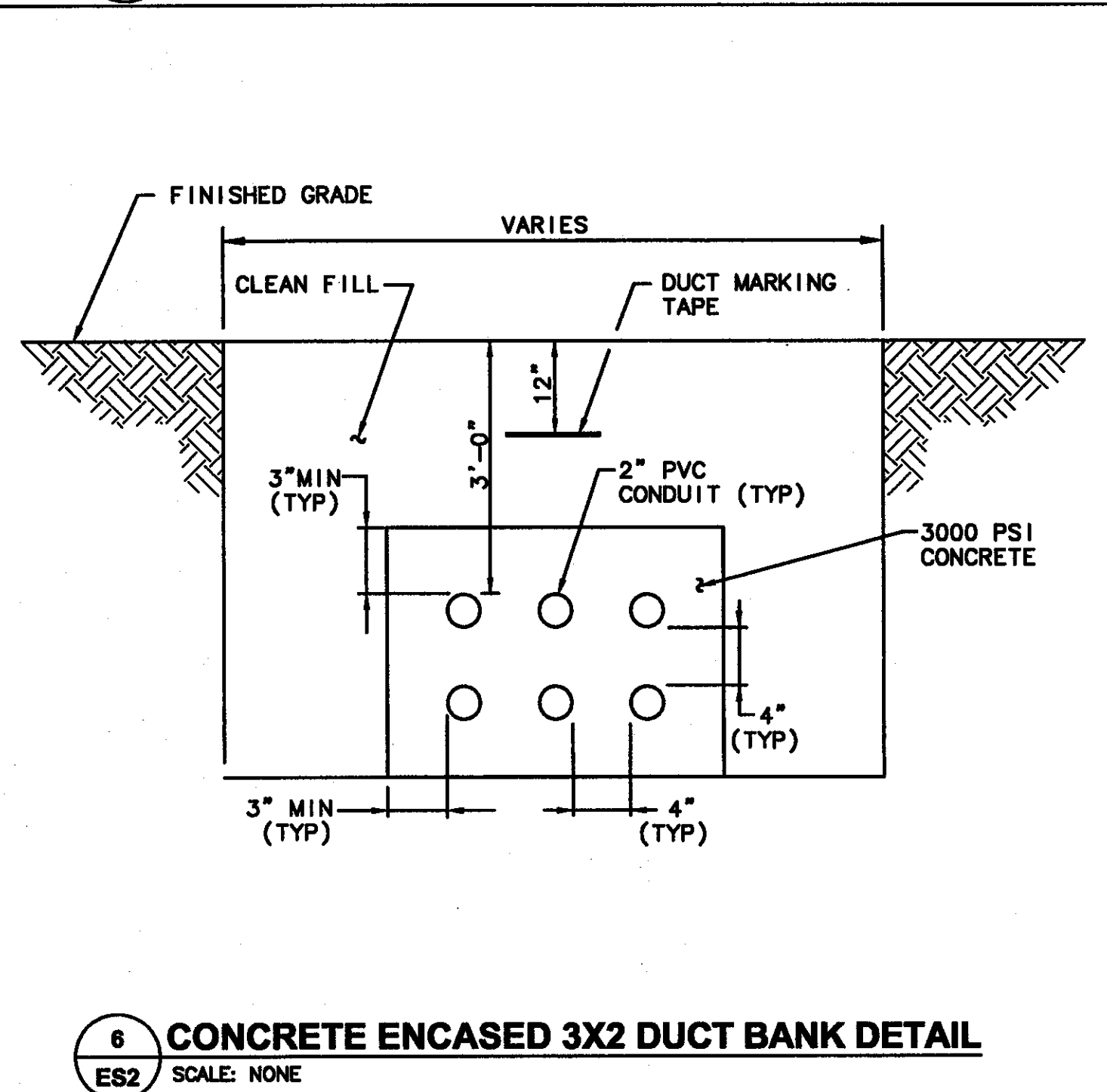
3 CONCRETE ENCASED 3X1 DUCT BANK DETAIL  
ES2 SCALE: NONE



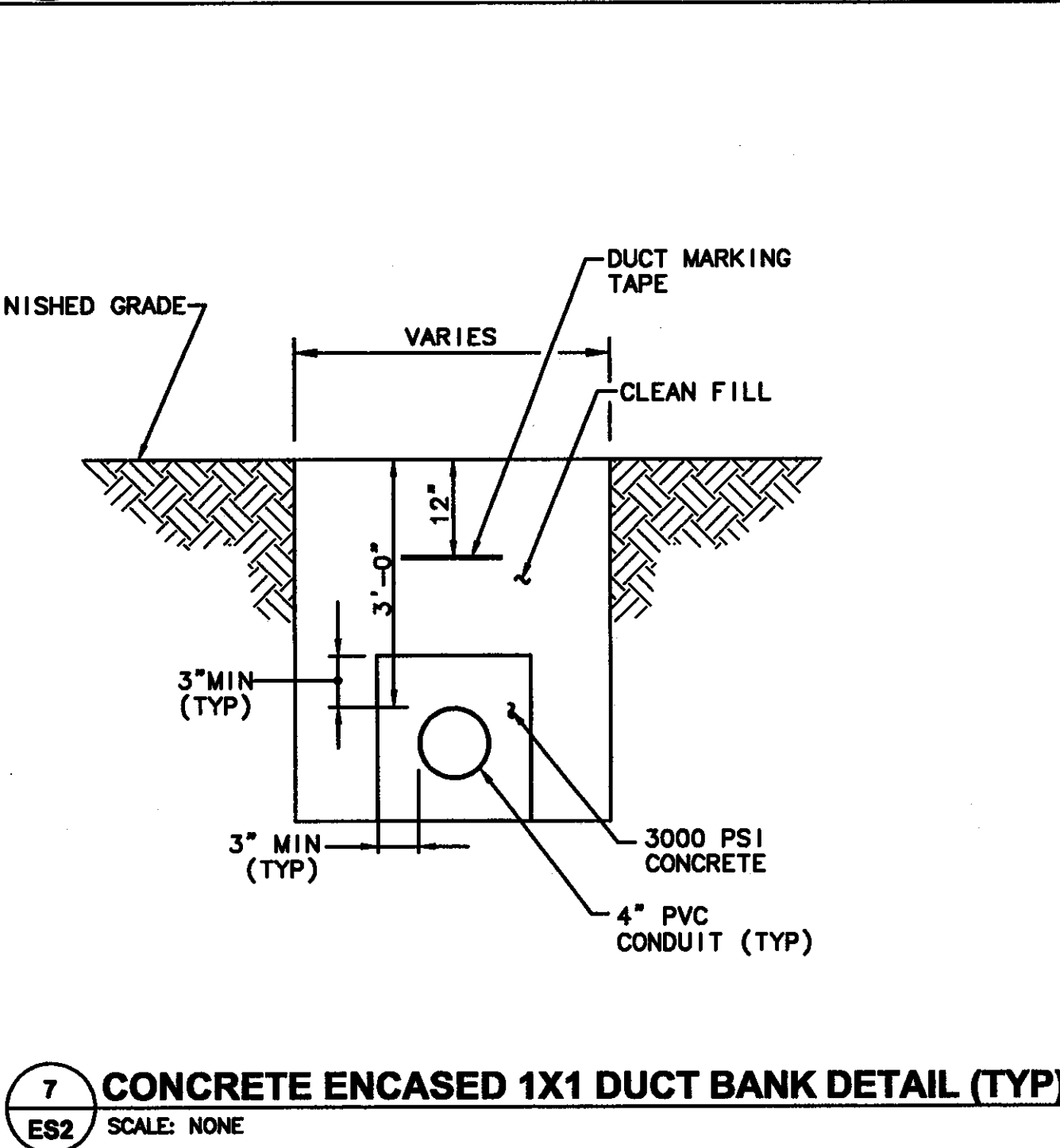
4 CONCRETE ENCASED 3X1 DUCT BANK DETAIL  
ES2 SCALE: NONE



5 CONCRETE ENCASED 5X1 DUCT BANK DETAIL  
ES2 SCALE: NONE



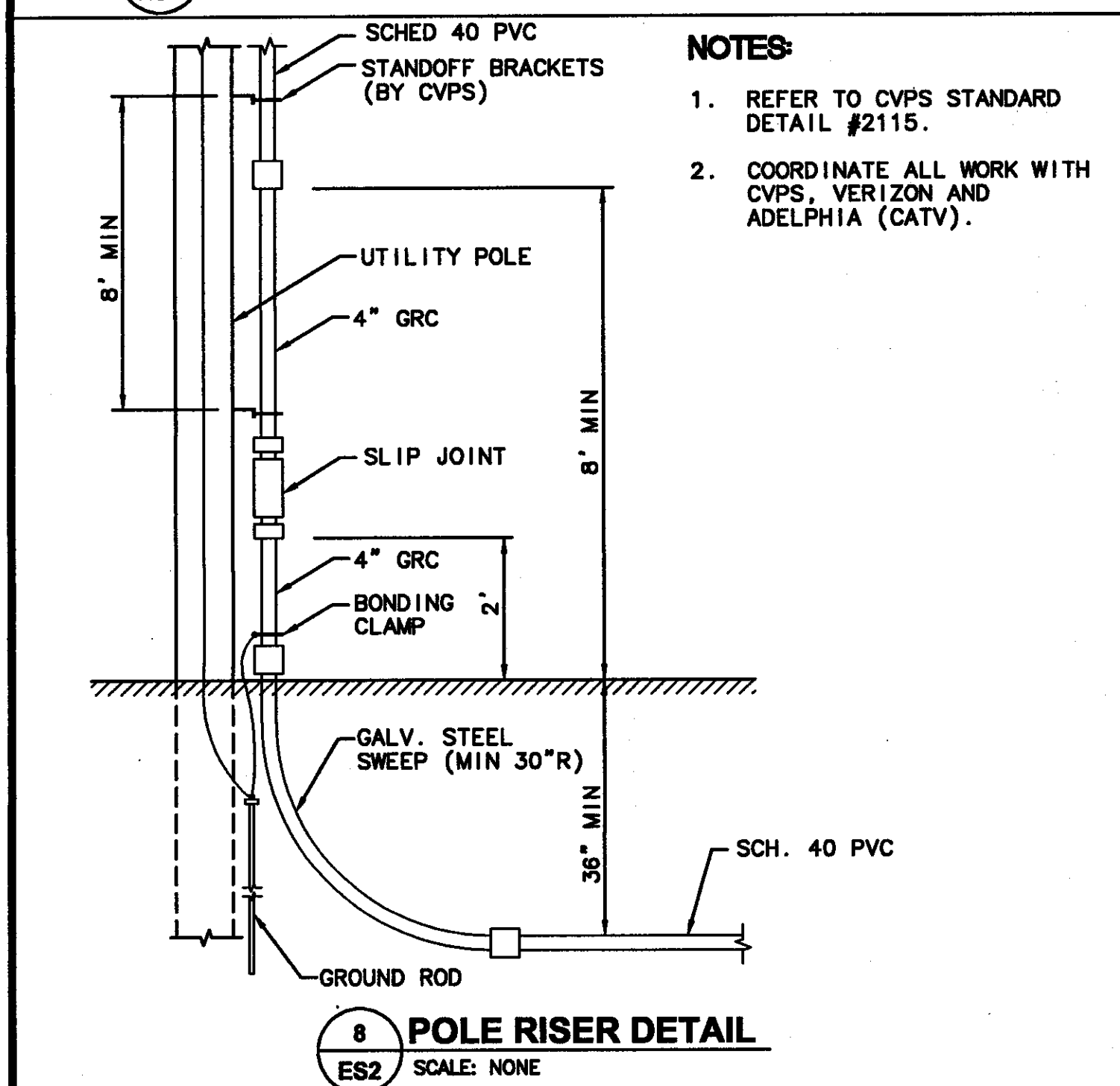
6 CONCRETE ENCASED 3X2 DUCT BANK DETAIL  
ES2 SCALE: NONE



7 CONCRETE ENCASED 1X1 DUCT BANK DETAIL (TYP)  
ES2 SCALE: NONE

**DUCTBANK GENERAL NOTES:**

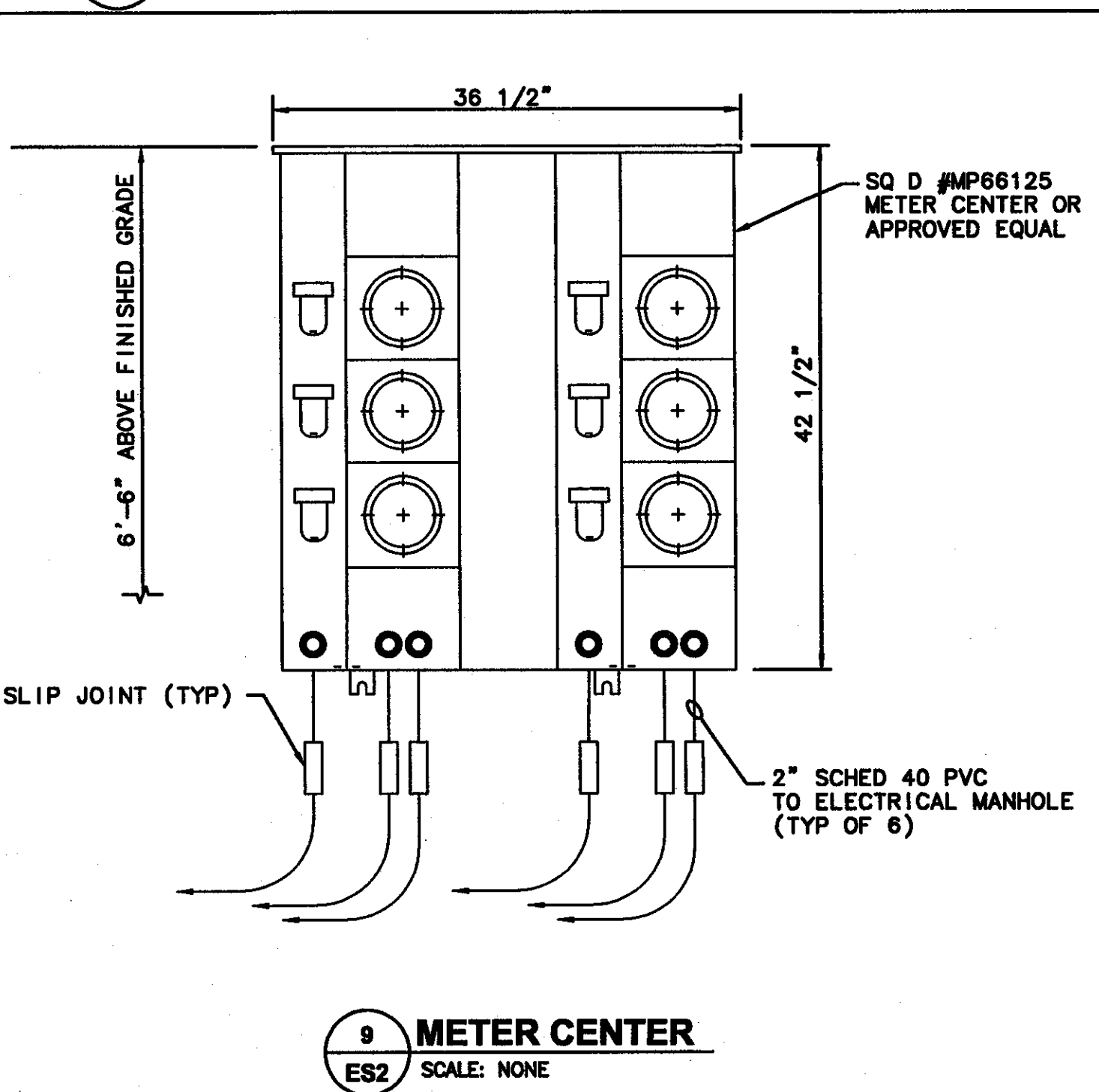
1. ALL DUCT BANKS SHALL BE FORMED ON SIDES.
2. DUCT BANKS SHALL BE PITCHED TOWARD MANHOLES, TO THE EXTENT POSSIBLE.
3. WHERE EXISTING UTILITIES ARE LIKELY TO BE ENCOUNTERED, CONTRACTOR SHALL HAND DIG AND PROTECT EXISTING UTILITIES.
4. CLEAN FILL TO BE COMPACTED TO 95% MAXIMUM DENSITY (ASTM D1557).
5. ALL CONDUIT IN DUCTBANKS SHALL BE SCHEDULE 40 PVC OR TYPE 'EB' UNLESS NOTED OTHERWISE.
6. ALL SWEEPS AND RISER CONDUITS SHALL BE SCHEDULE 40 PVC UNLESS NOTED OTHERWISE.
7. ALL DIRECT BURIED PVC CONDUIT SHALL BE SCHEDULE 40.



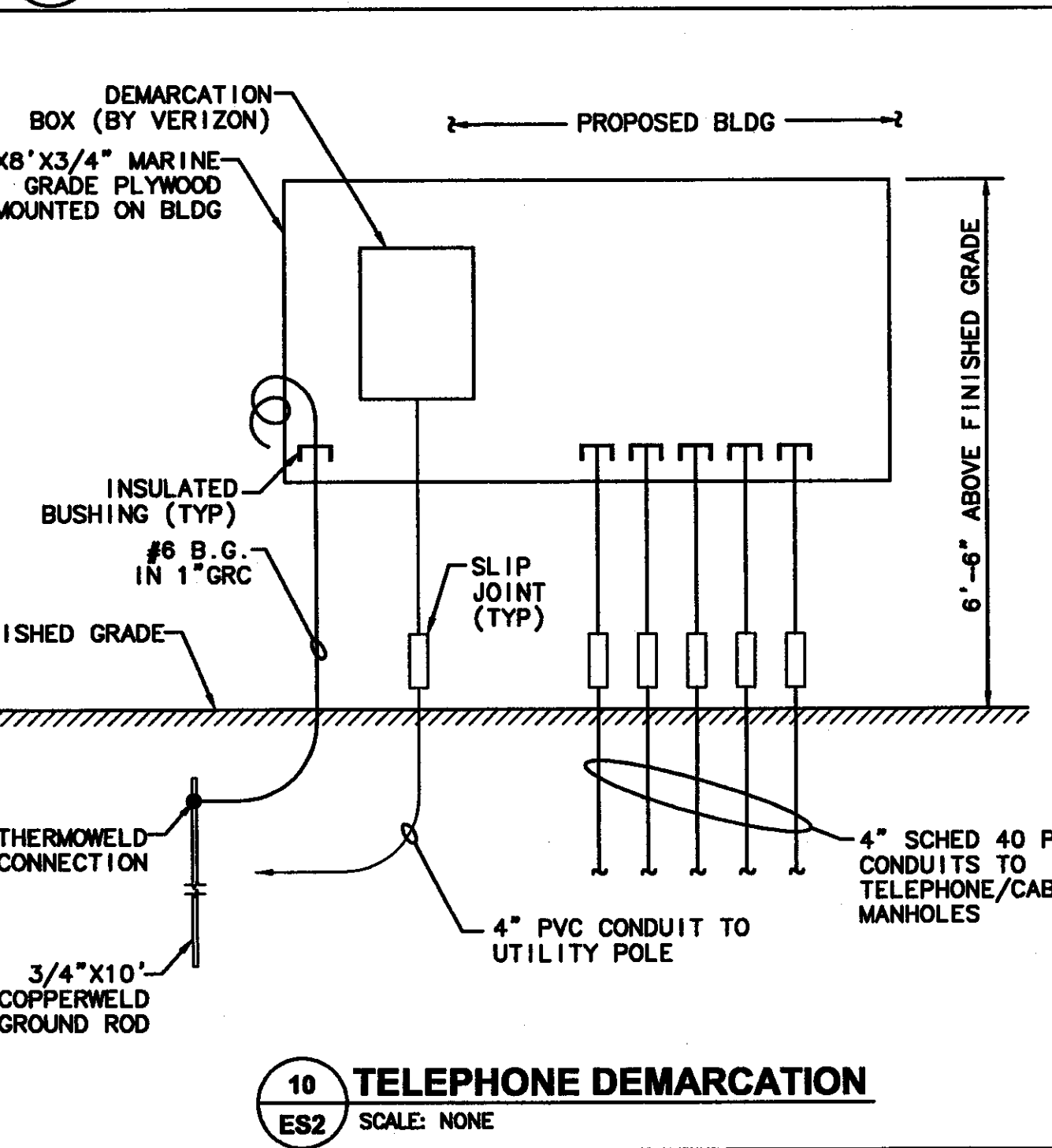
**NOTES:**

1. REFER TO CVPS STANDARD DETAIL #2115.
2. COORDINATE ALL WORK WITH CVPS, VERIZON AND ADELPHIA (CATV).

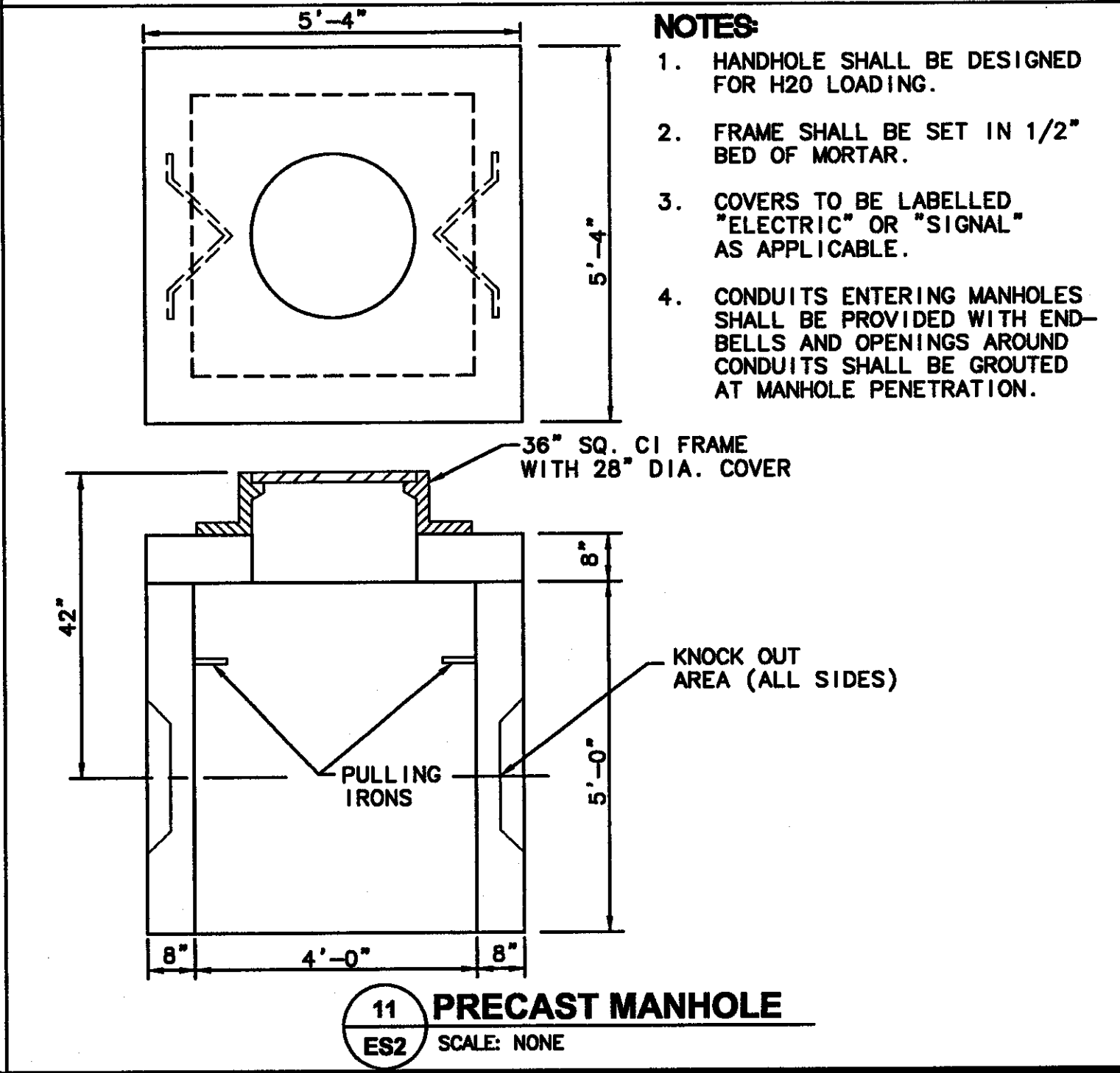
8 POLE RISER DETAIL  
ES2 SCALE: NONE



9 METER CENTER  
ES2 SCALE: NONE



10 TELEPHONE DEMARCATION  
ES2 SCALE: NONE



11 PRECAST MANHOLE  
ES2 SCALE: NONE

REV.	DATE	DESCRIPTION

Job No. F20002283.03 File No. ES-2

RUTLAND STATE AIRPORT  
CLARENDON, VERMONT  
NORTHWEST APRON DEVELOPMENT  
DETAILS

**URS**  
1 NORWAY LANE  
LATHAM, NEW YORK

Designed by: L. MARENCHIE	Drawn by: C. GROCE	Checked by:	Approved by:
Scale: NTS			
Date: JUNE 2002			
Dwg. 2 Of 2			
Dwg. No. <b>ES-2</b>			