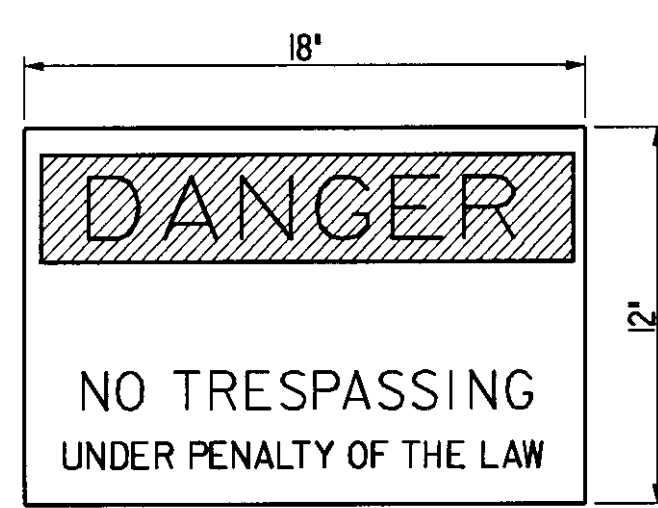
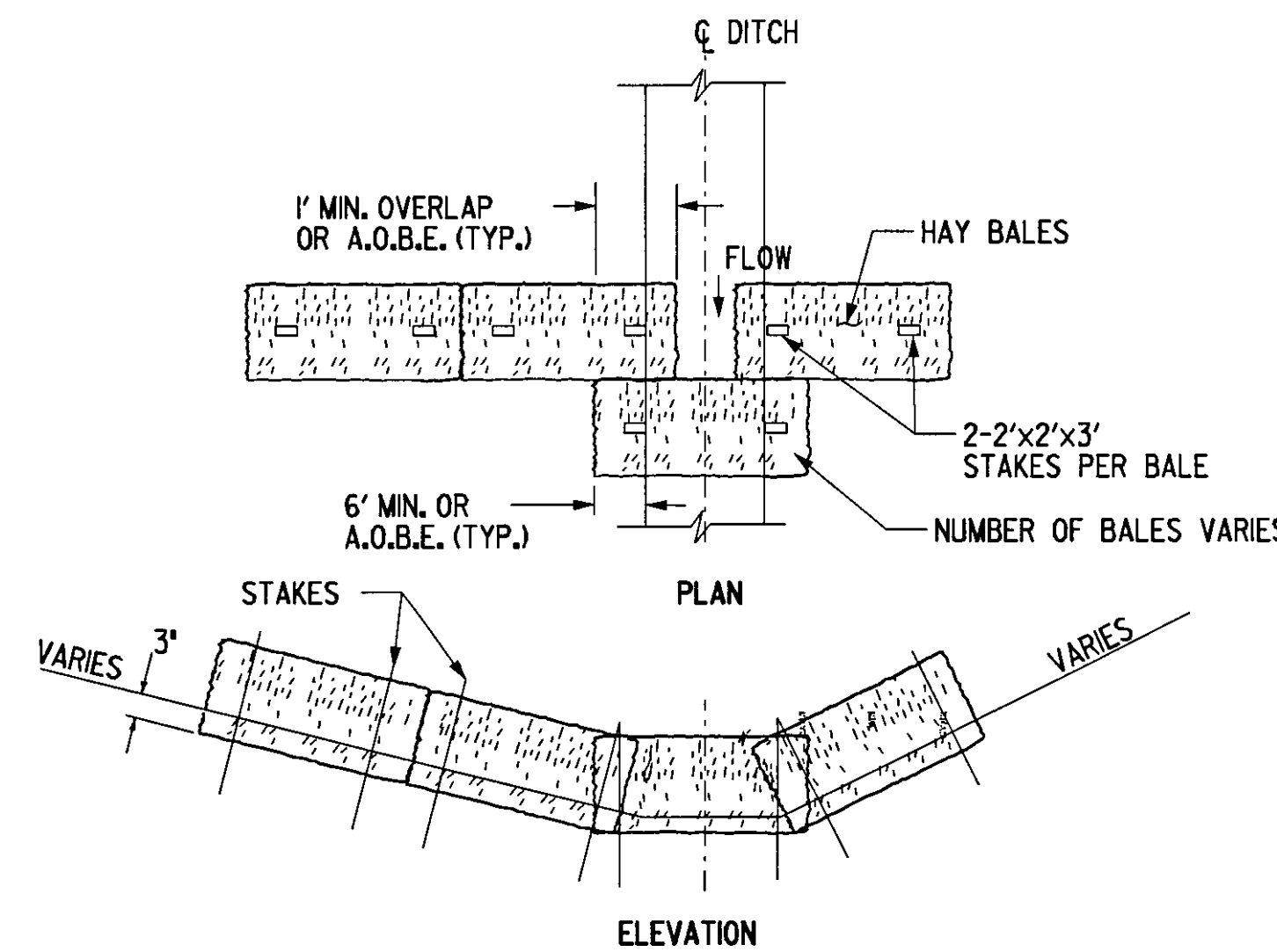


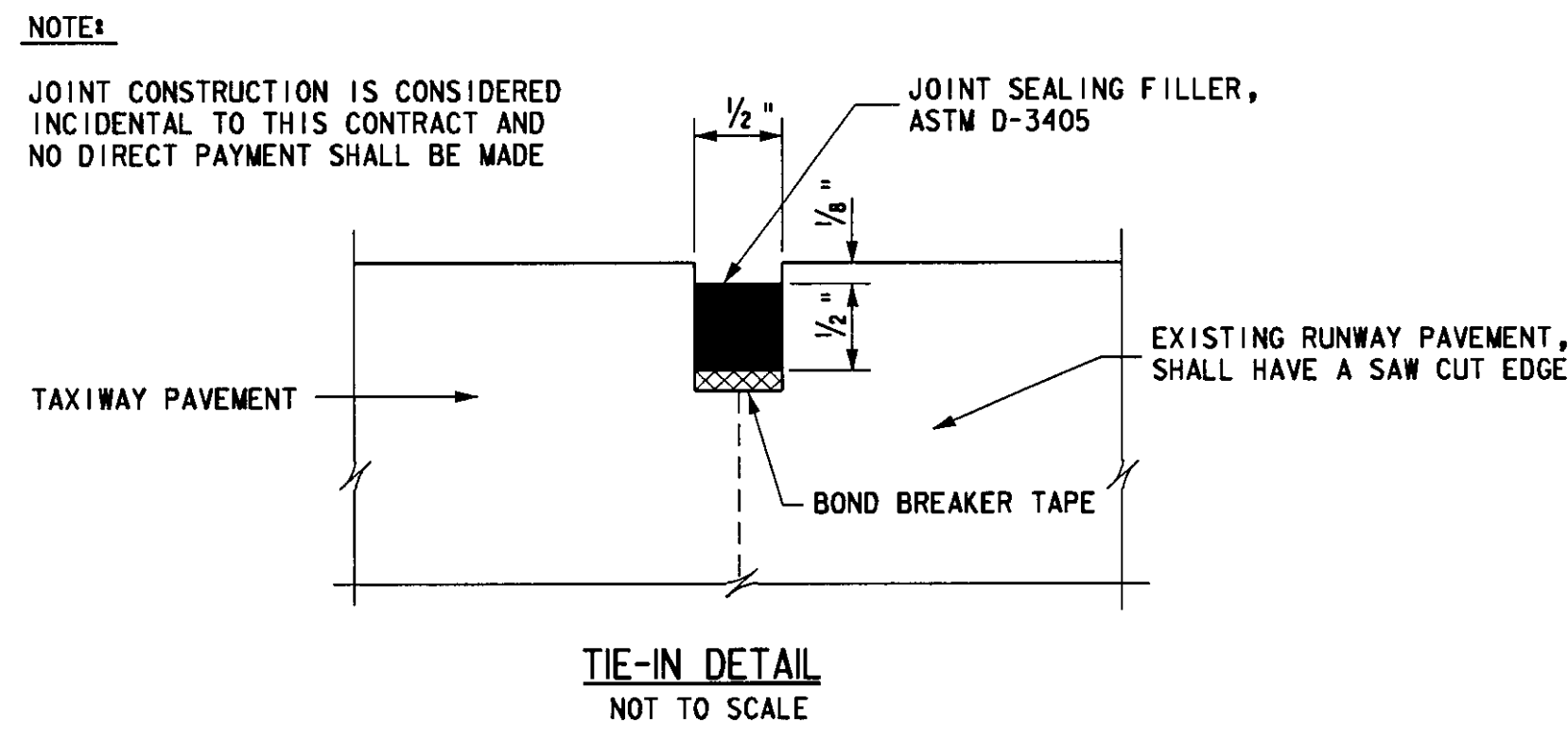
ALUMINUM CANTILEVERED SLIDE GATE
ITEM 620.16 (MOD.)
NOT TO SCALE



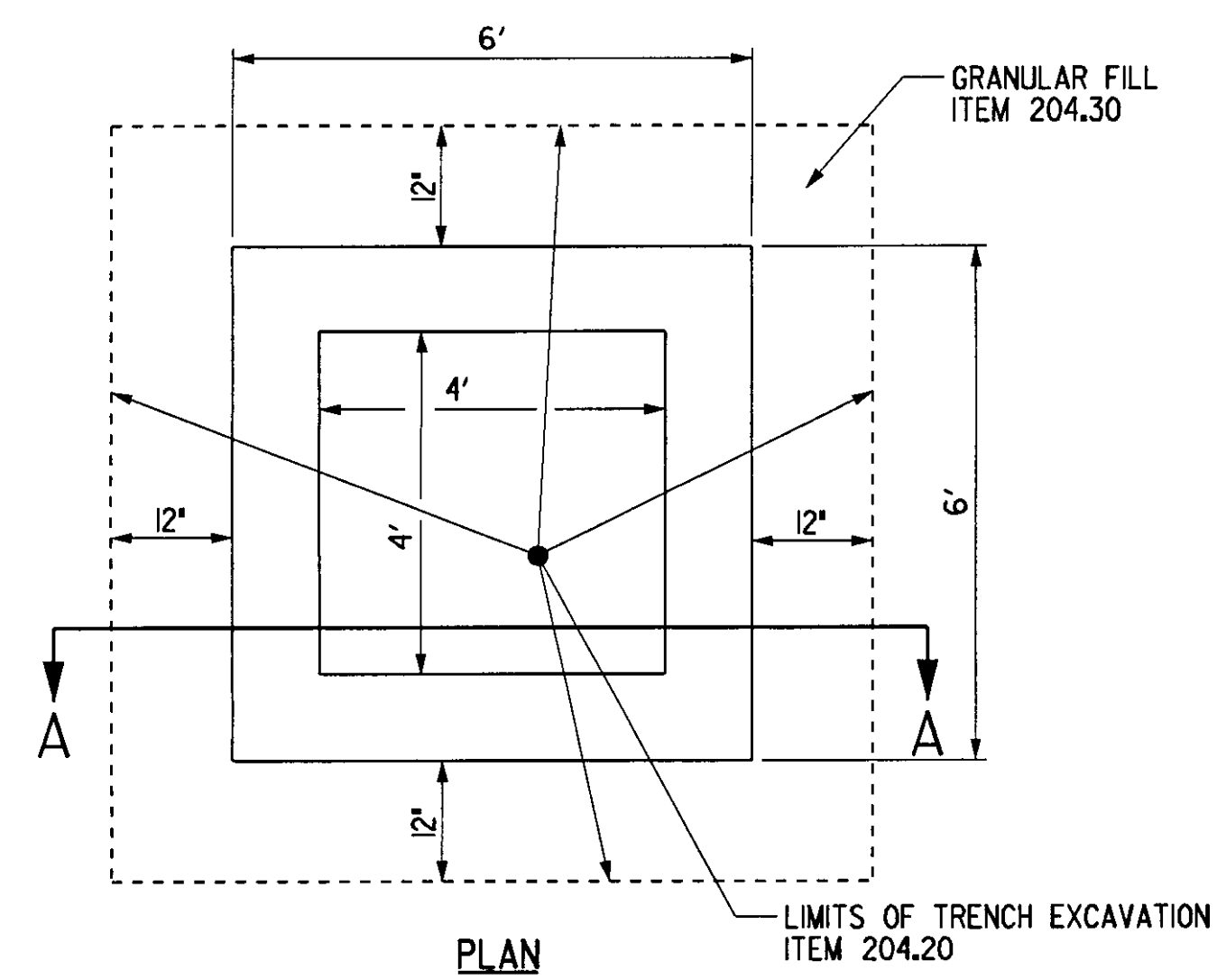
- WHITE BACKGROUND WITH BLACK LETTERS. SHADED AREA TO BE RED.
 - SIGN TO BE POSTED IN A VANDAL PROOF MANNER ON EACH GATE AND EVERY 200 FT (MAX.) ALONG INSTALLED FENCE OR AS DIRECTED BY THE ENGINEER, ITEM 620.12.
- SIGN FOR CHAIN-LINK GATE & FENCE**
ITEM 620.12
NOT TO SCALE



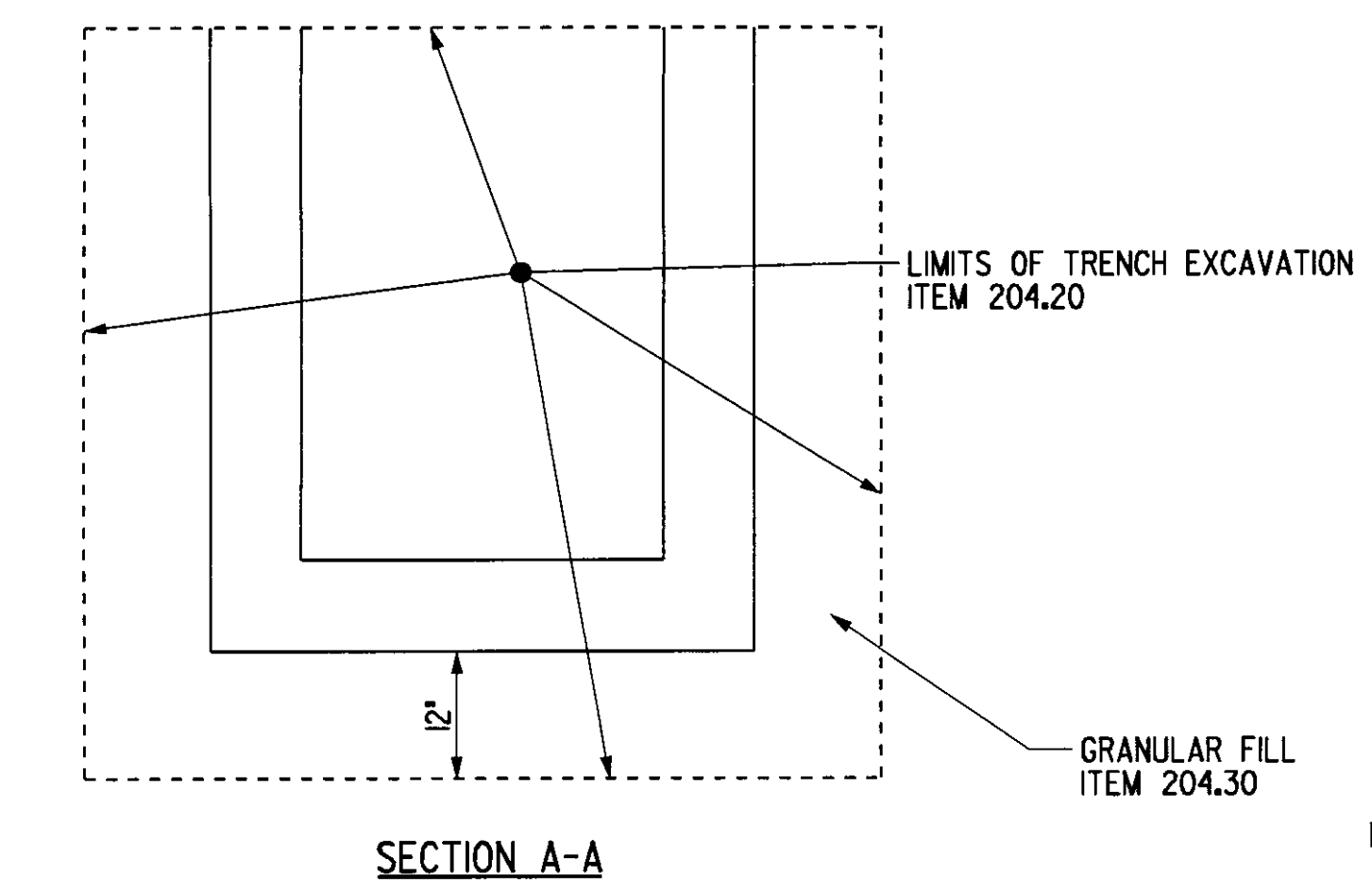
TYPE B-DITCH OR SWALE PROTECTION
ITEM 651.26 - NOT TO SCALE



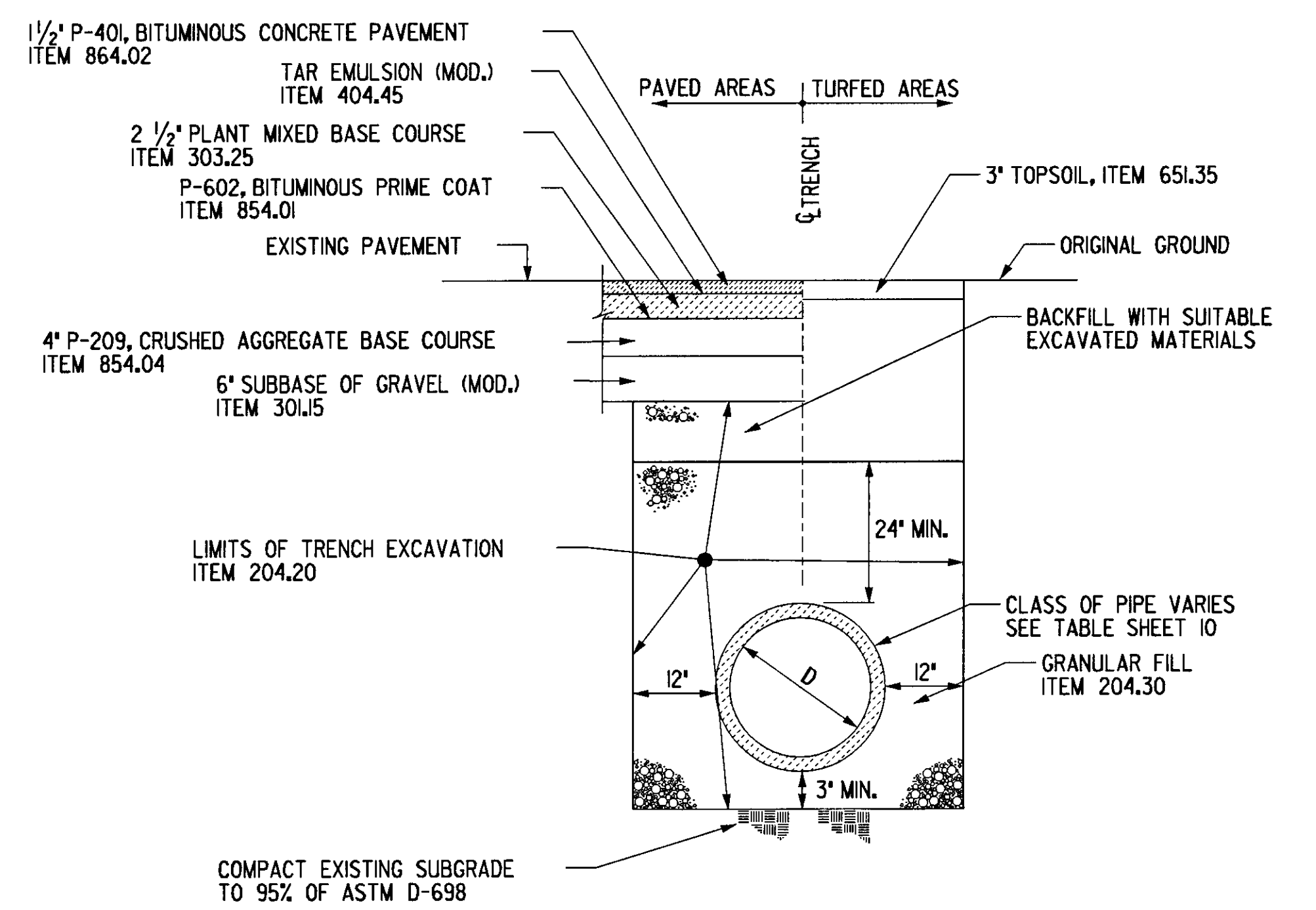
TIE-IN DETAIL
NOT TO SCALE



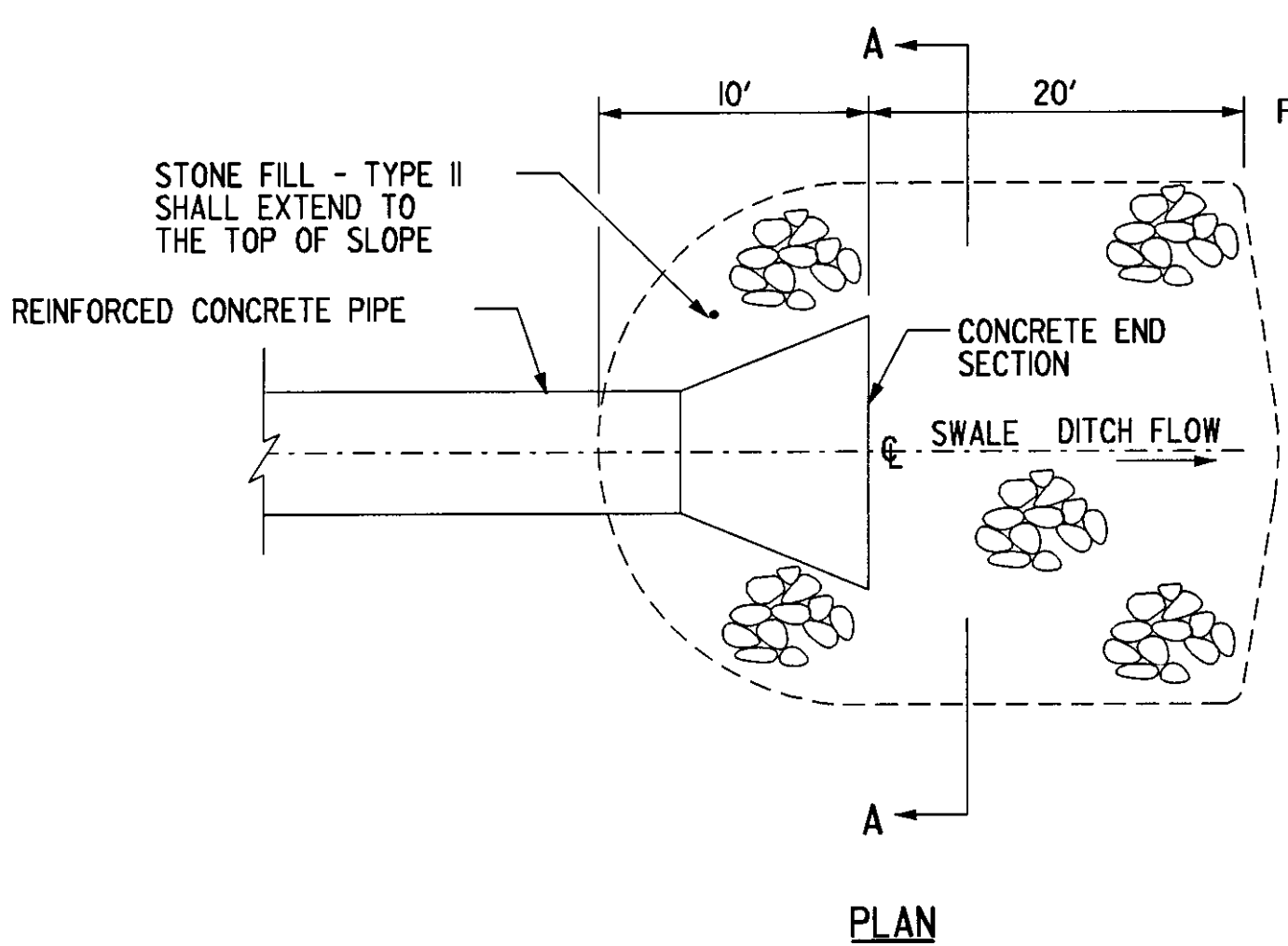
CATCH BASIN DETAIL
NOT TO SCALE



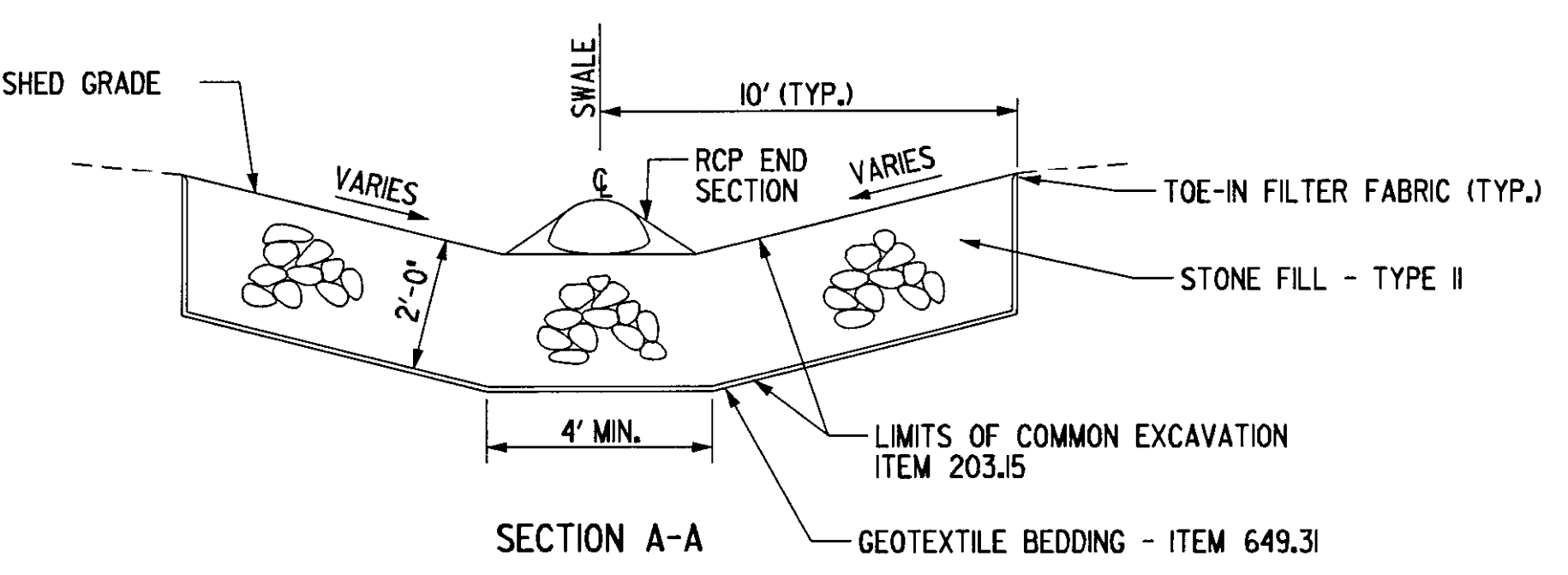
SECTION A-A



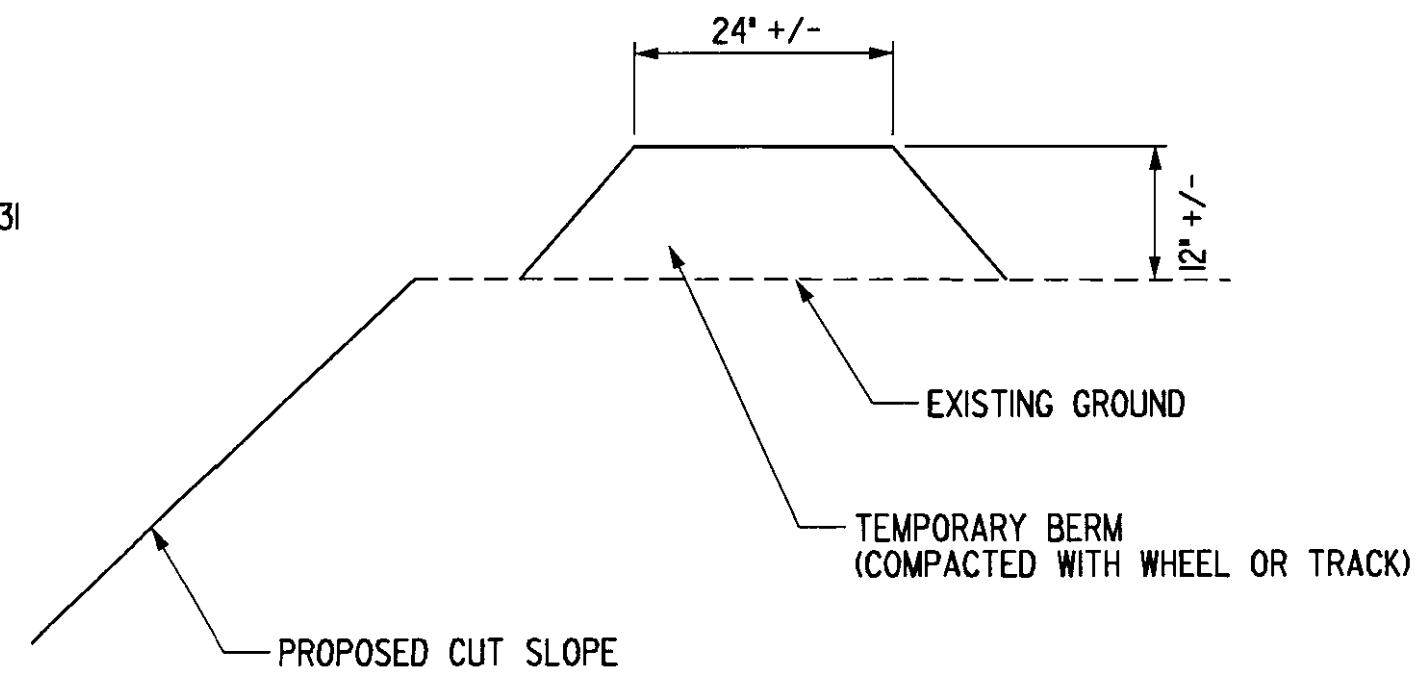
CONCRETE PIPE TRENCHING DETAIL
NOT TO SCALE



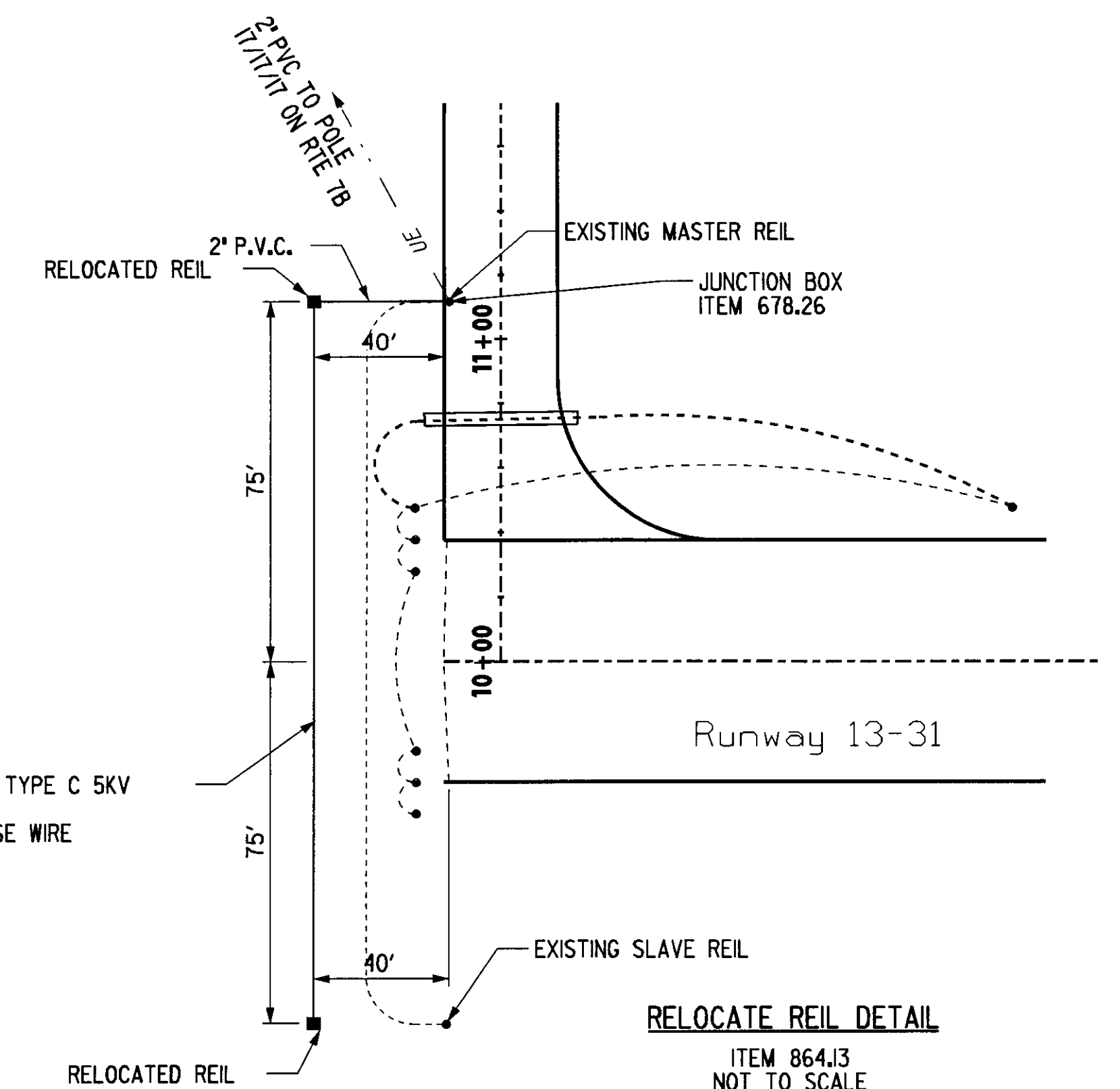
OUTLET PROTECTION DETAIL
ITEM 613.11
NOT TO SCALE



NOTE:
CHANNEL PROTECTION SHALL BE PROVIDED FOR EACH PIPE END SECTION. DIMENSIONS FOR CHANNEL PROTECTION SHALL BE AS SHOWN UNLESS OTHERWISE INDICATED ON THE PLANS.



TEMPORARY EARTH BERM DETAIL
ITEM 203.30
NOT TO SCALE



RELOCATE RAIL DETAIL
ITEM 864.13
NOT TO SCALE

- NOTES:
- SEE STANDARD SHEET AP-4 FOR TYPICAL RAIL VISUAL APPROACH AIDE.
 - ALL WORK REQUIRED TO RELOCATE EXISTING RAILS, TO BE INCLUDED IN PRICE BID FOR ITEM 864.13

PROJECT NAME:	RUTLAND AIRPORT APRON
PROJECT NUMBER:	15639.00
FILE NAME:	Z15639DT2.DGN
PROJECT LEADER:	E. NASSAR
DESIGNED BY:	R. PERKINS
MISCELLANEOUS DETAILS:	
PLOT DATE:	31-MAY-2001
DRAWN BY:	R. PERKINS
CHECKED BY:	E. NASSAR
SHEET	9 OF 13