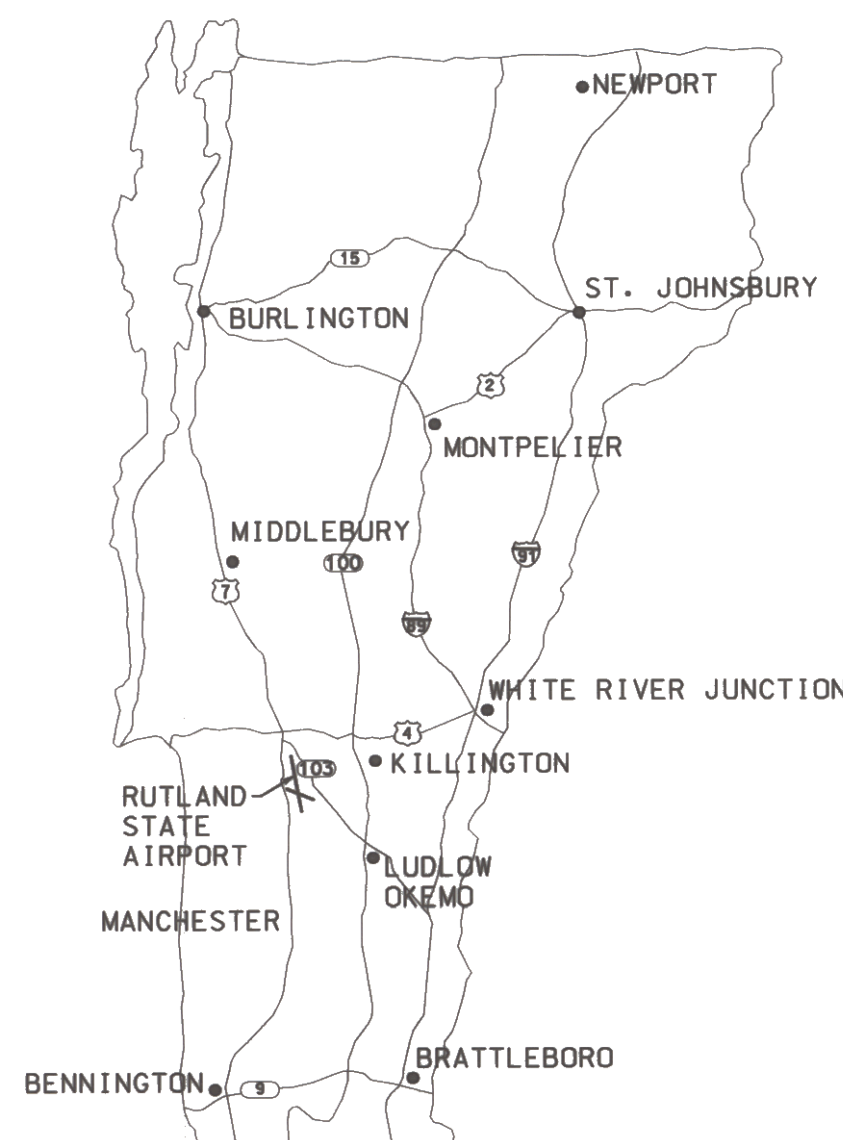


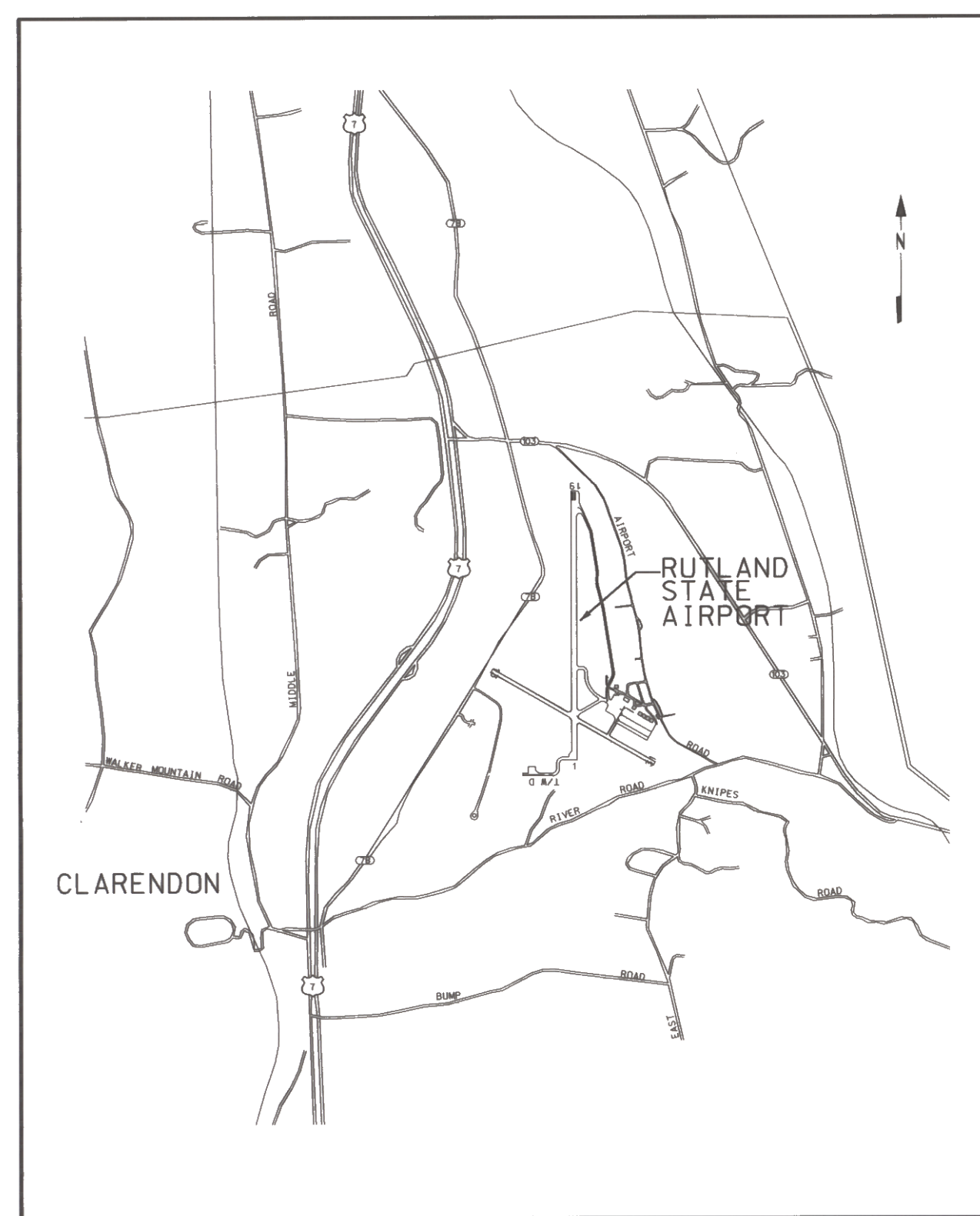
STATE OF VERMONT AGENCY OF TRANSPORTATION



PARTIAL AIRPORT MASTER PLAN UPDATE RUTLAND STATE AIRPORT CLARENDON, VERMONT



LOCATION MAP
NTS

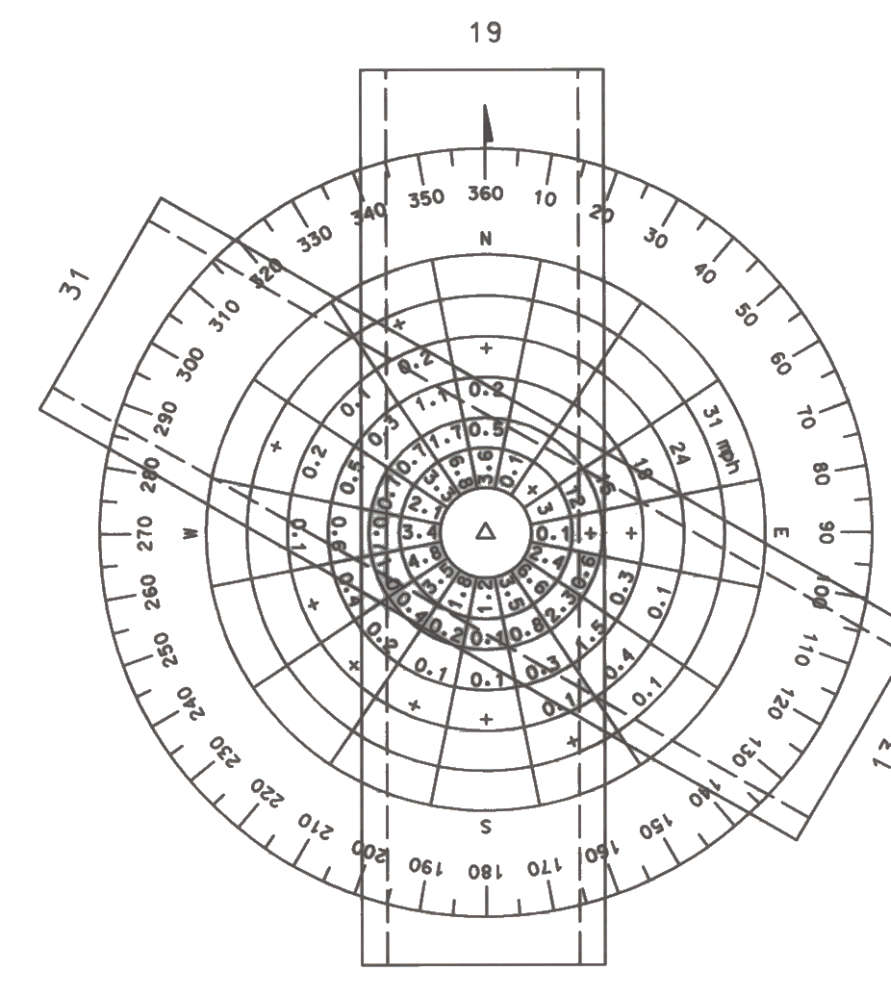


LOCATION MAP
NTS

INDEX OF SHEETS

- 1 TITLE SHEET
- 2 EXISTING AIRPORT LAYOUT
- 3 AIRPORT LAYOUT PLAN (ALP)
- 4 APPROACH AND OBSTRUCTION PLAN & PROFILE 1-19
- 5 APPROACH AND OBSTRUCTION PLAN & PROFILE 13-31
- 6 TERMINAL SUPPORT AREA PLAN "A"
- 7 TERMINAL SUPPORT AREA PLAN "B"
- 8 OFF AIRPORT LAND USE PLAN
- 9 IMAGINARY SURFACE PLAN
- 10 EXHIBIT "A" PROPERTY MAP

PREPARED FOR:
VERMONT AGENCY OF TRANSPORTATION
VERMONT AGENCY OF TRANSPORTATION PROJECT No. AIR 04-3121
FEDERAL AVIATION ADMINISTRATION PROJECT No. 3-50-0015-12
JANUARY, 2001



ALL WEATHER WIND ROSE

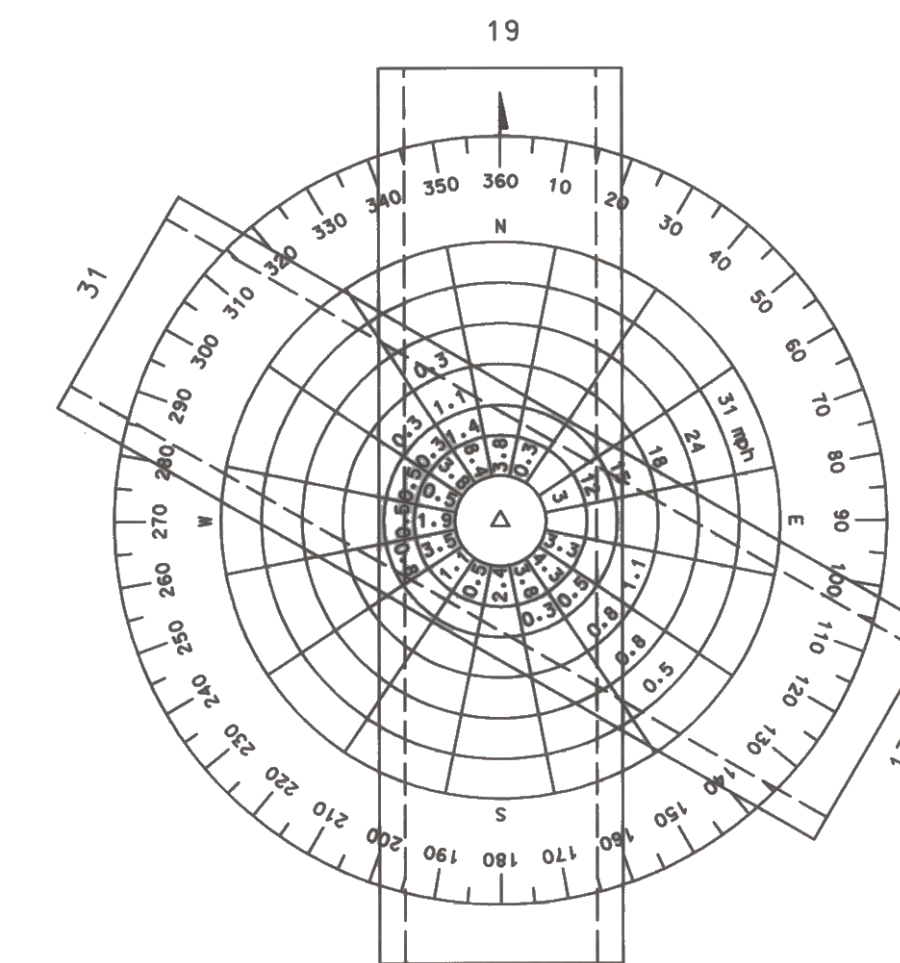
LOCATION: Rutland State Airport
Clarendon, Vermont

SOURCE: NOAA Environment Data Service
National Climate Center
Asheville, North Carolina

PERIOD: January 1, 1971 - December 31, 1975

ANNUAL OCCURANCE: 100%

TOTAL IFR OBSERVATION 8170
+ = Less than 0.1%



IFR WEATHER WIND ROSE

<1000' &/or 3 miles but ≥ 400' & 1 mile

LOCATION: Rutland State Airport
Clarendon, Vermont

SOURCE: NOAA Environment Data Service
National Climate Center
Asheville, North Carolina

PERIOD: January 1, 1971 - December 31, 1975

ANNUAL OCCURANCE: 4.5%

TOTAL IFR OBSERVATION 369