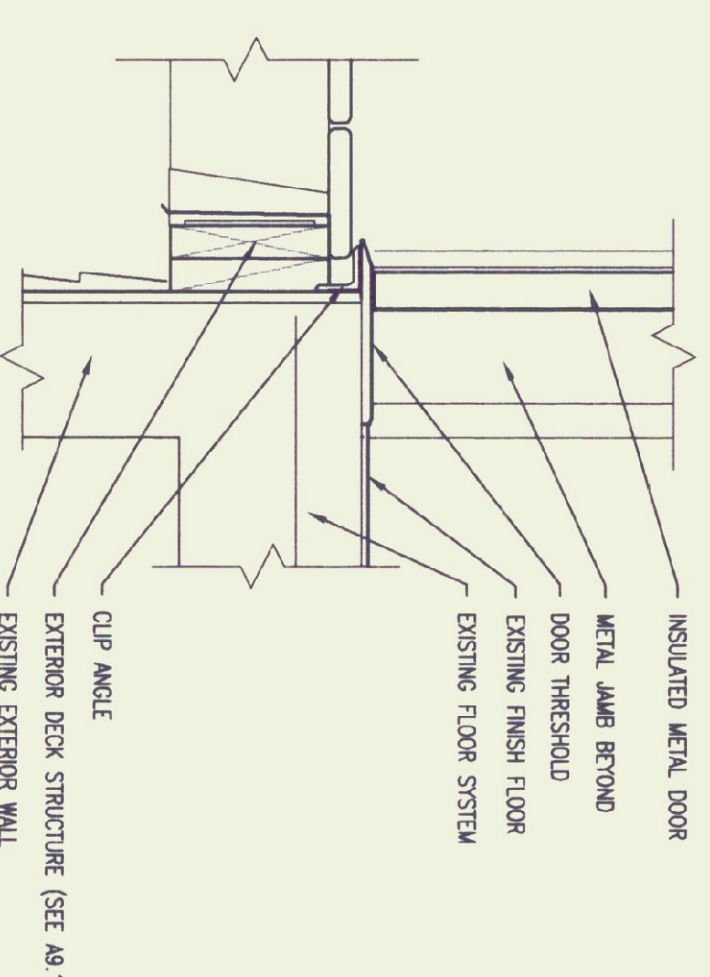
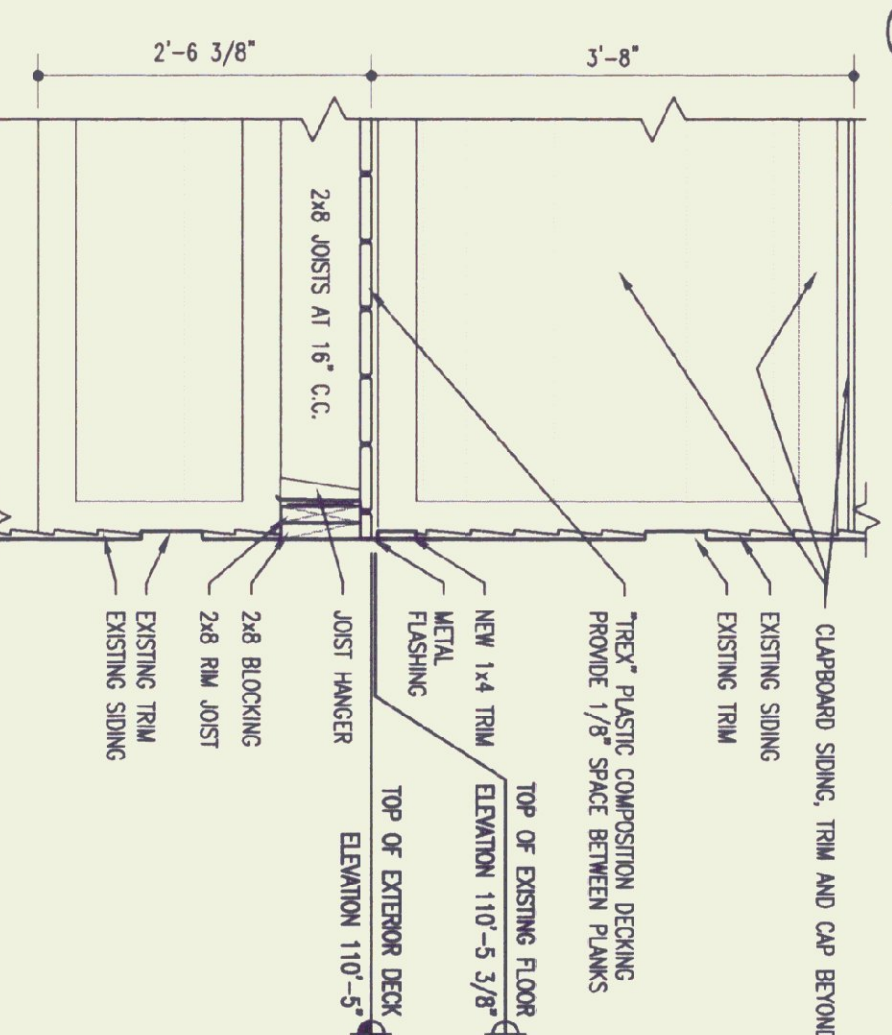


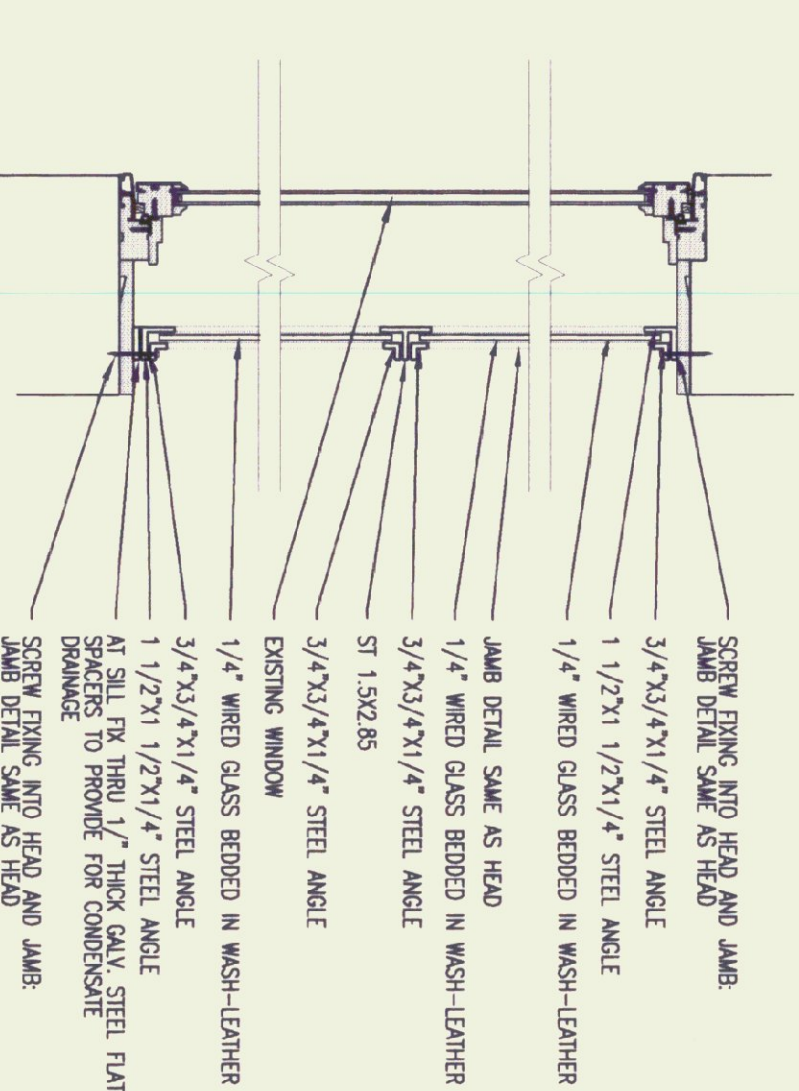
6
 A9.1 SCALE 1 1/2"=1'-0"



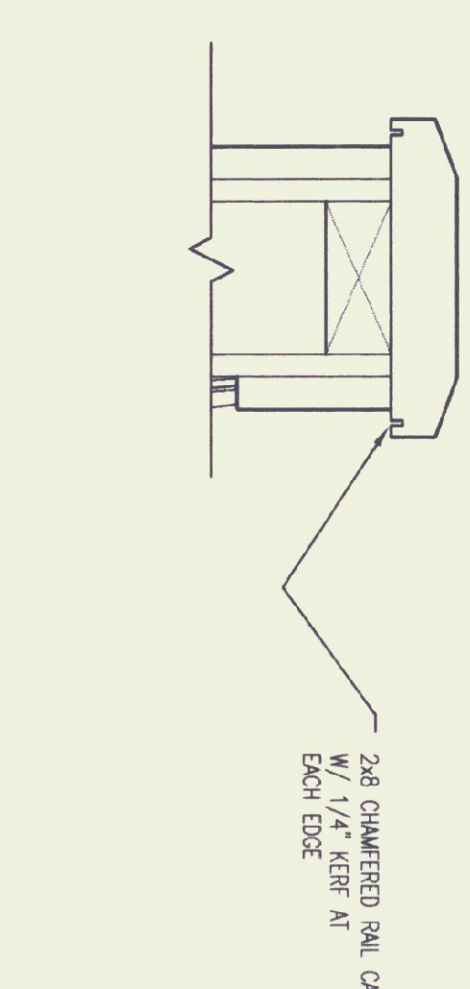
9
 A9.1 SCALE 1 1/2"=1'-0"



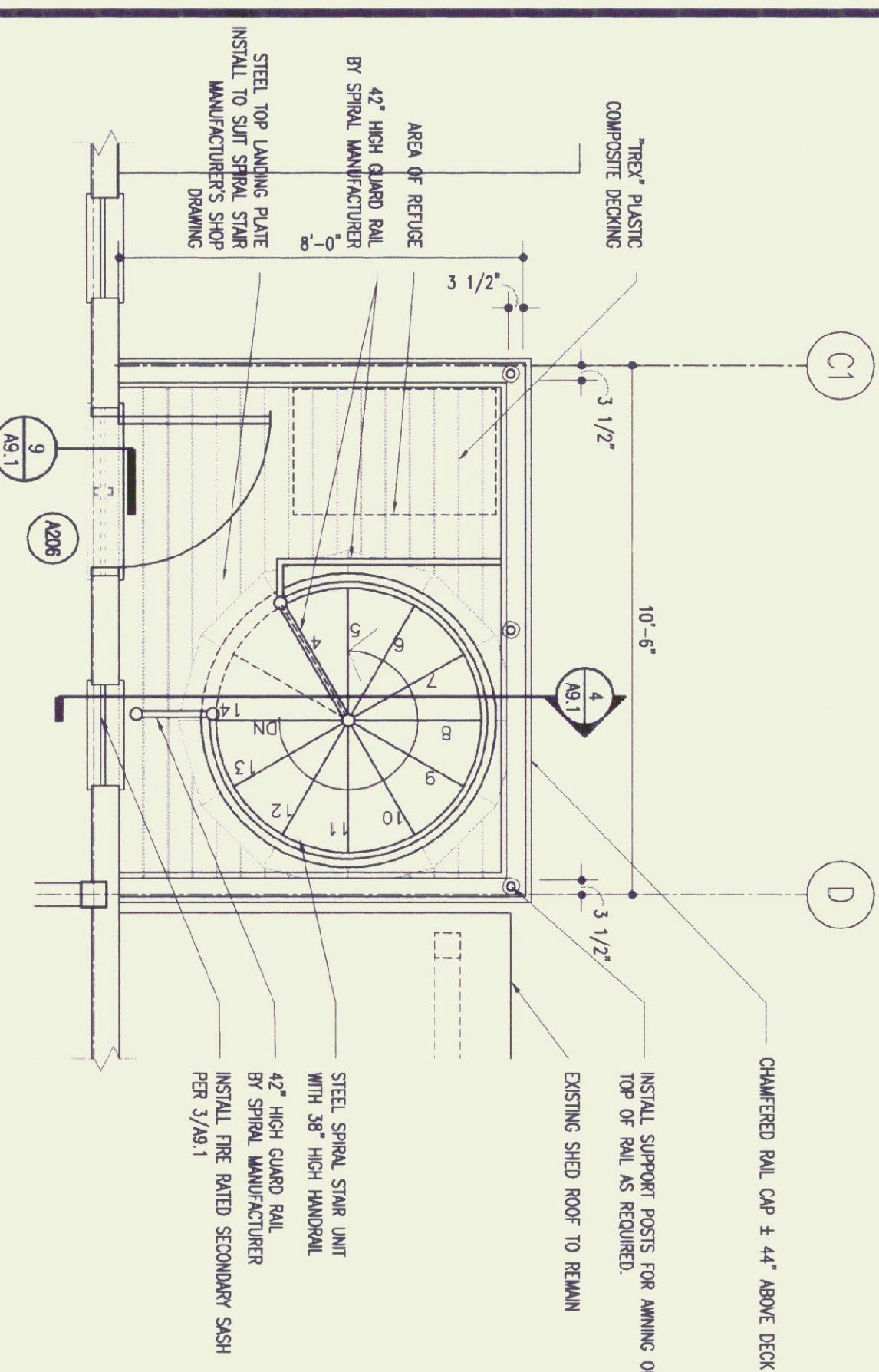
4
 A9.1 SCALE 3/4"=1'-0"



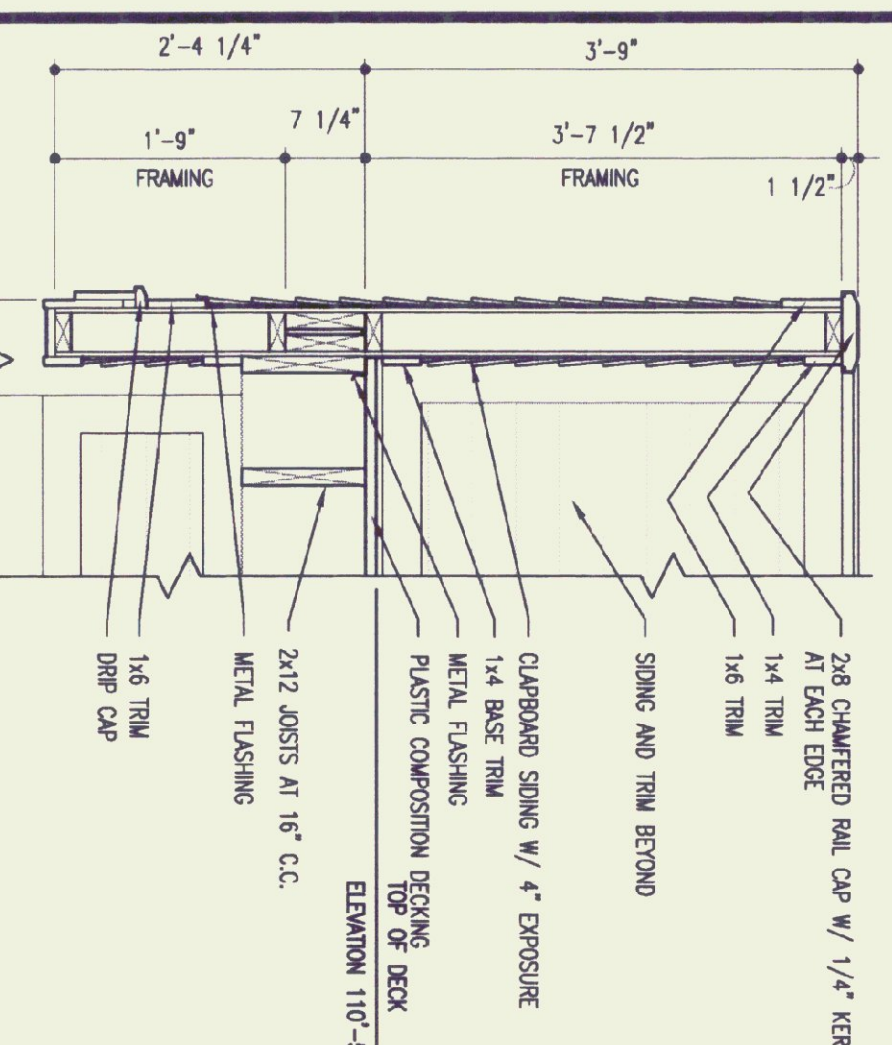
3
 A9.1 SCALE 1 1/2"=1'-0"



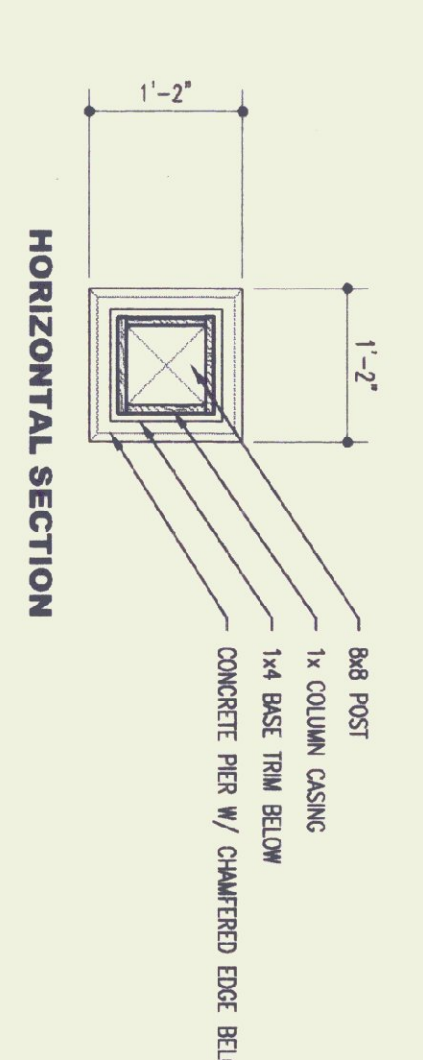
2
 A9.1 SCALE 3/4"=1'-0"



A
 A9.1 SCALE: 3/8"=1'-0"



1
 A9.1 SCALE 3/4"=1'-0"



8
 A9.1 SCALE 3/4"=1'-0"

Revisions and Addition
 per 410

NO.	REVISION	DATE
01	RELEASED FOR AGENCY REVIEW	06/20/01
02	FINAL PRE-BID REVIEW	06/21/01
03	BID SET	11/16/01
03	BID DATE	01/30/02

RUTLAND STATE AIRPORT
 1022 AIRPORT ROAD, TERMINAL BUILDING
 NORTH CLARENDON, VERMONT 05759
 TEL. 802-786-8881
 FAX. 802-773-5691

EXTERIOR STAIR DETAILS

PROJECT NORTH	KEY PLAN
PROJECT NUMBER	DRAWN: RAS
	CHECKED: CRB

PROFESSIONAL SEAL: **A**

9.1