

STATE OF VERMONT  
 AGENCY OF TRANSPORTATION

MASTER PLAN  
 UPDATE

RUTLAND STATE AIRPORT

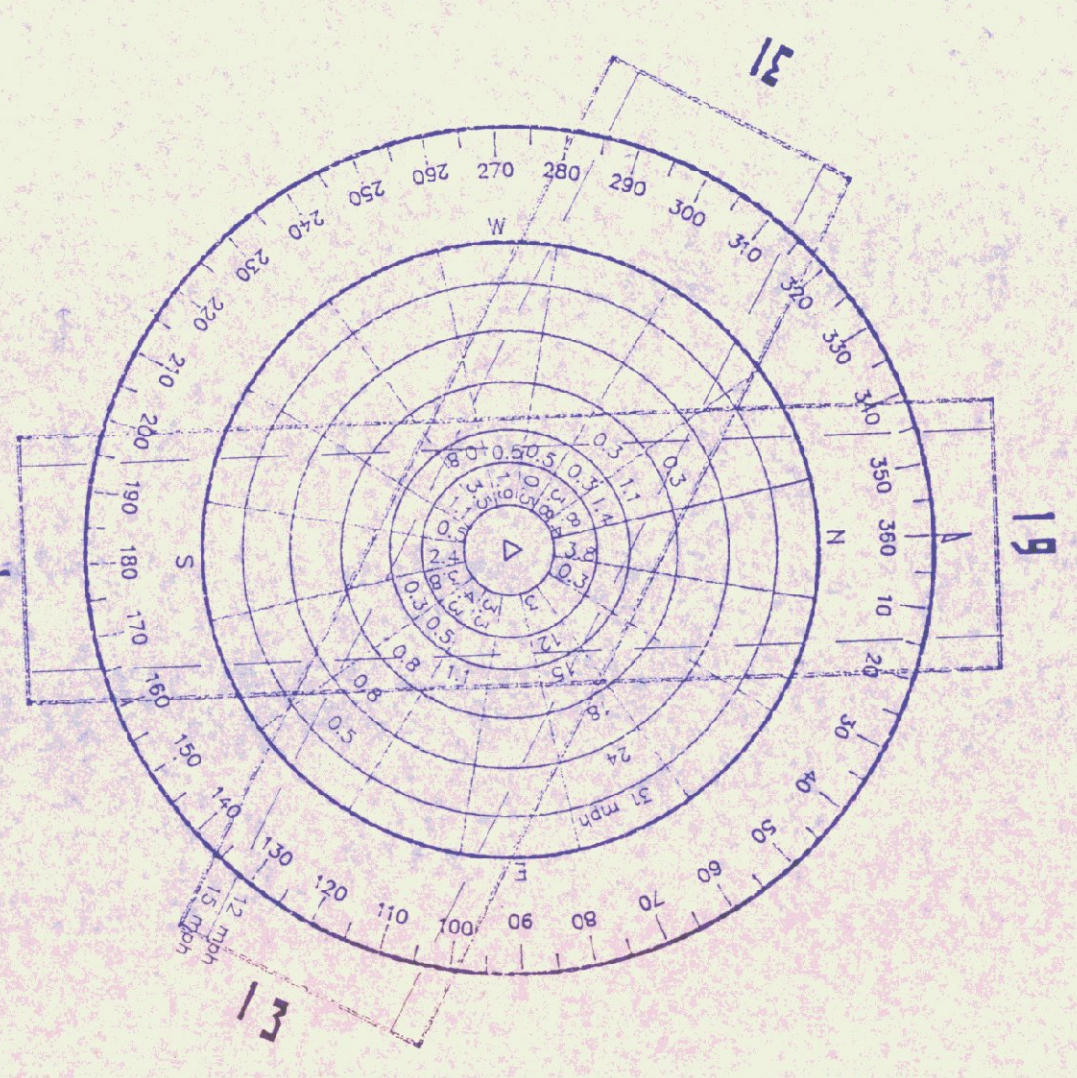
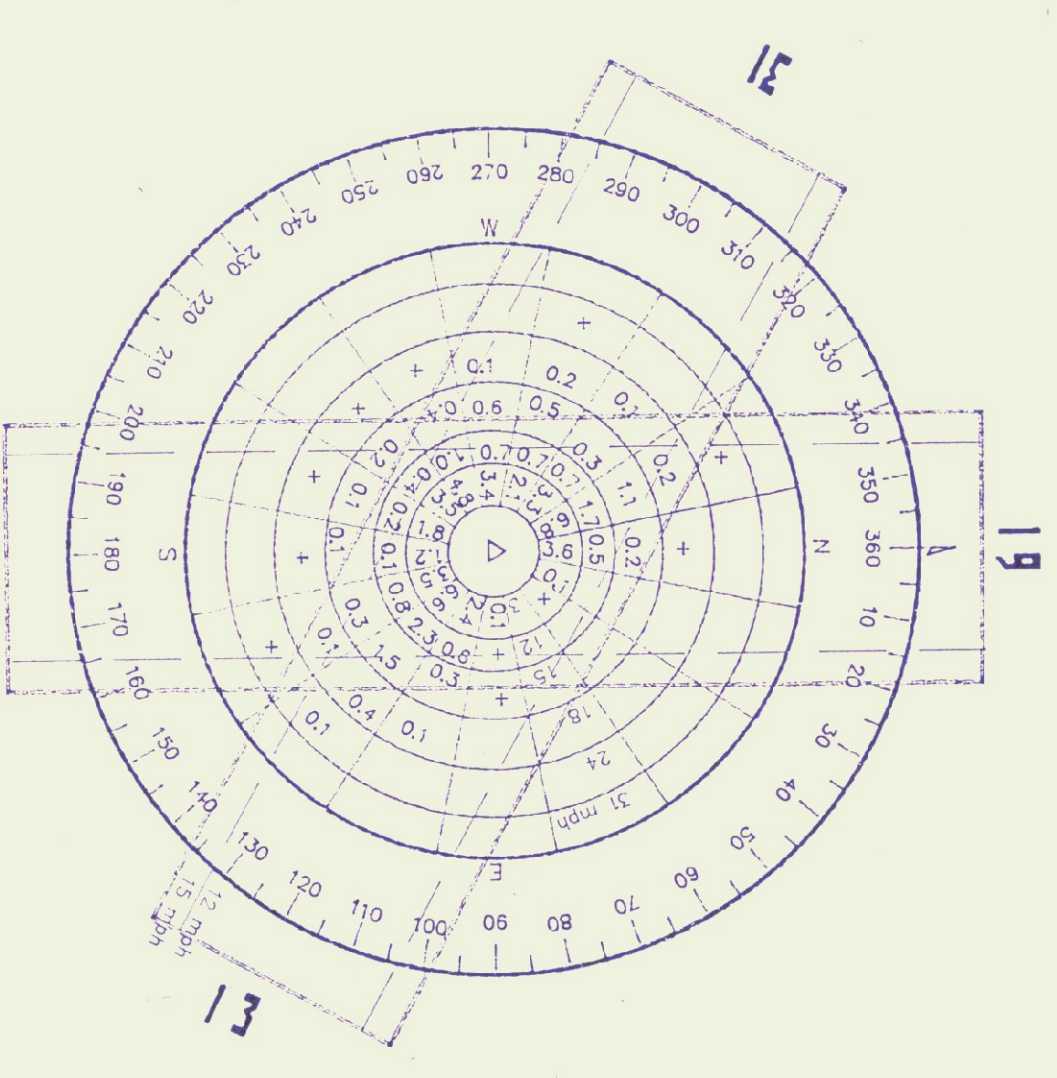
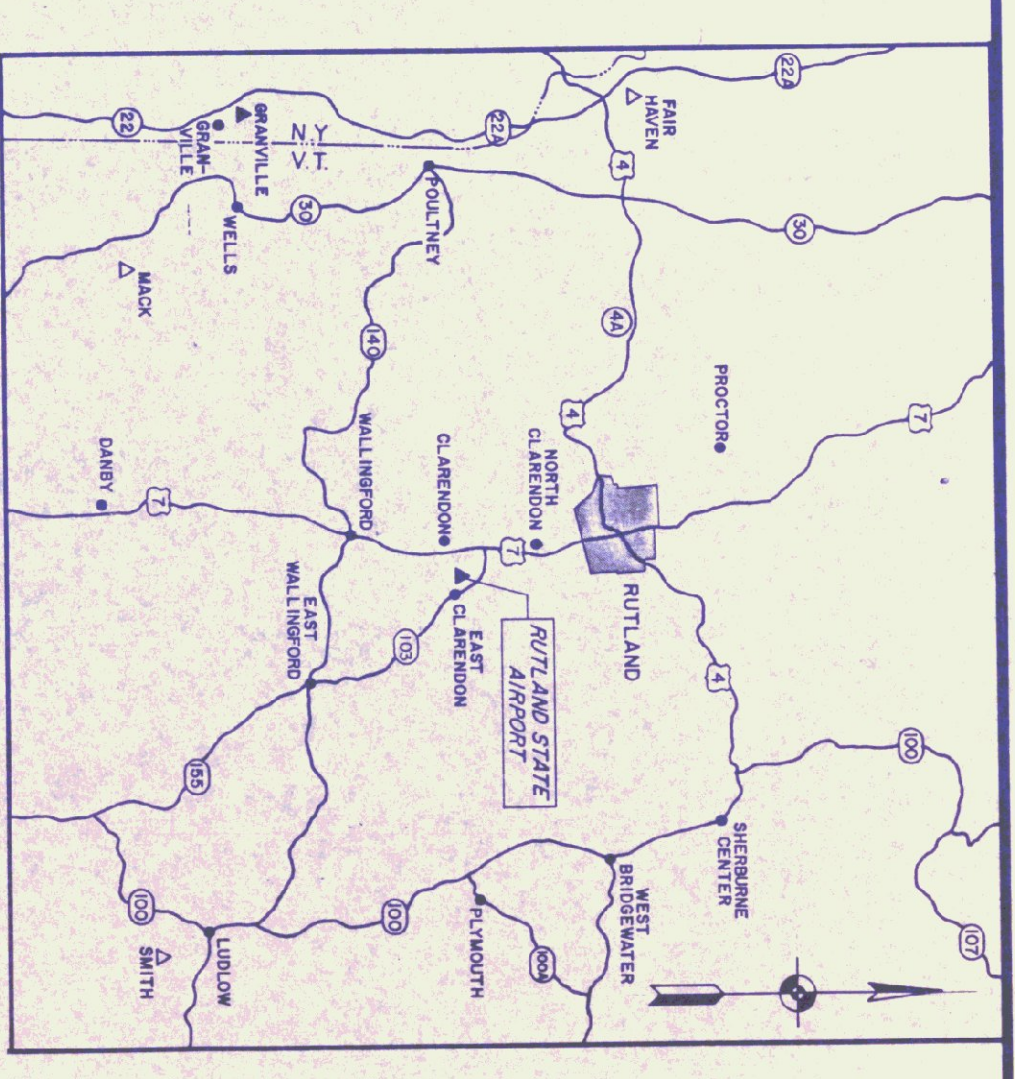
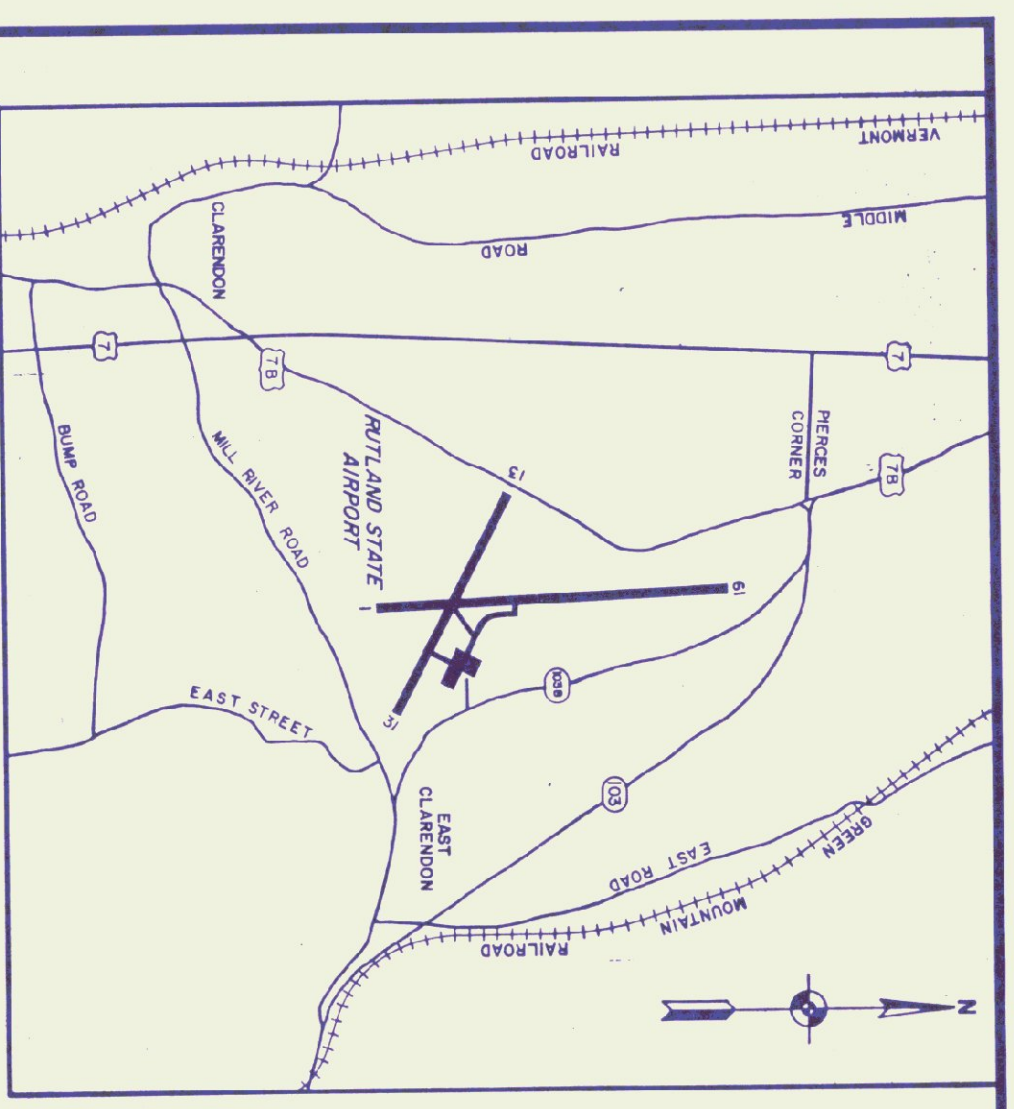
FAA PROJECT NO. AIP 3-50-0015-05  
 VAOT PROJECT NO. AIR 03-2047

INDEX TO DRAWINGS

1. EXISTING AIRPORT LAYOUT PLAN
2. AIRPORT LAYOUT PLAN
3. TERMINAL AREA PLAN
4. AIRPORT IMAGINARY SURFACES PLAN
5. PLAN AND PROFILE RUNWAY 1-19
6. PLAN AND PROFILE RUNWAY 13-31
7. LAND USE PLAN

MAY, 1989

HOYLE, TANNER & ASSOCIATES, INC.  
 ENGINEERS, ARCHITECTS, PLANNERS & SURVEYORS  
 BEDFORD, NEW HAMPSHIRE



LOCATION: Rutland State Airport  
 Clarendon, Vermont  
 SOURCE: NOAA Environmental Data Service  
 National Climatic Center  
 Asheville, North Carolina  
 PERIOD: January 1, 1971 - December 31, 1975  
 ANNUAL OCCURRENCE: 100%  
 TOTAL OBSERVATIONS: 8720  
 + = Less than 0.1%

LOCATION: Rutland State Airport  
 Clarendon, Vermont  
 SOURCE: NOAA Environmental Data Service  
 National Climatic Center  
 Asheville, North Carolina  
 PERIOD: January 1, 1971 - December 31, 1975  
 ANNUAL OCCURRENCE: 4.5%  
 TOTAL IFR OBSERVATIONS: 389