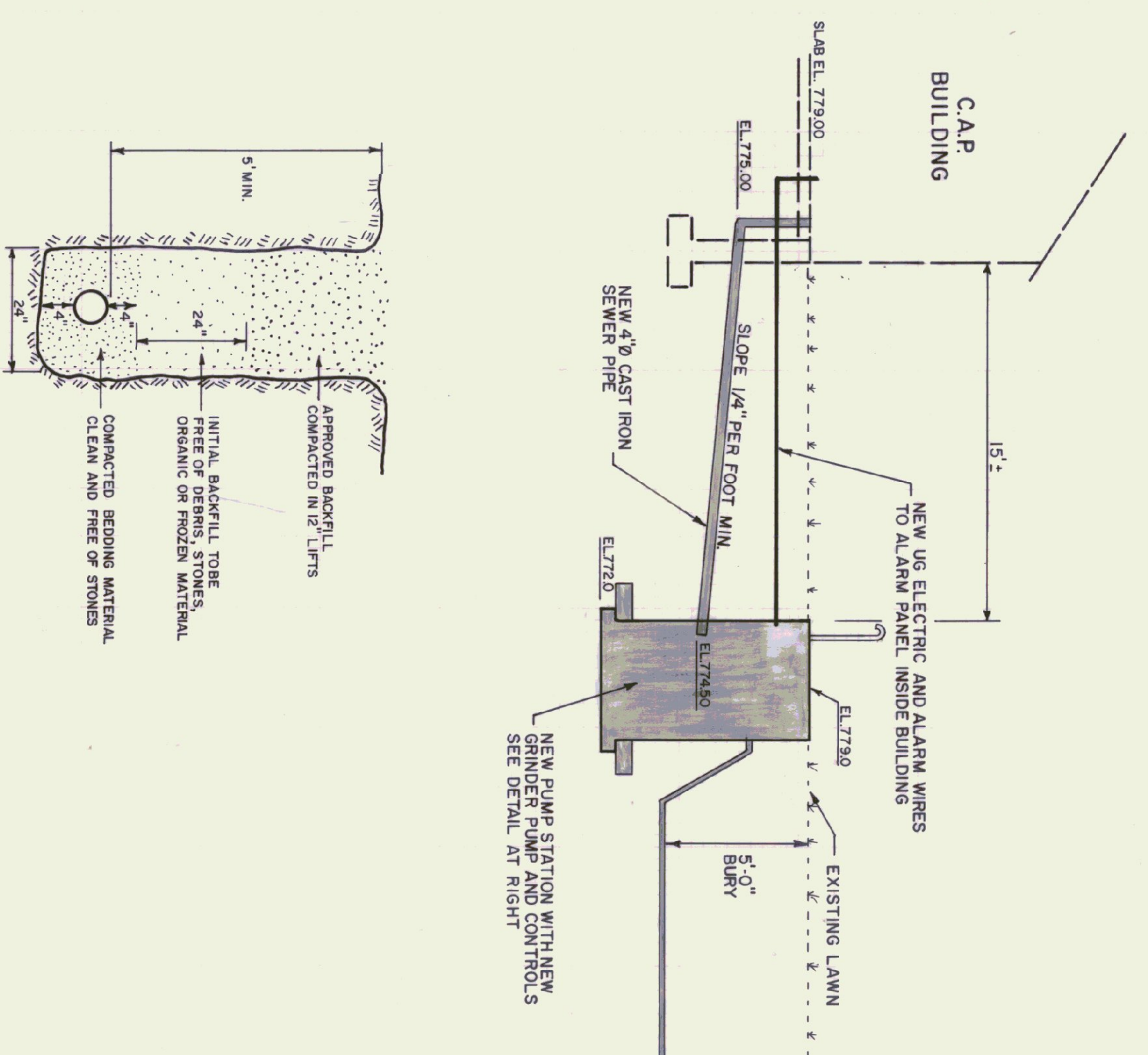
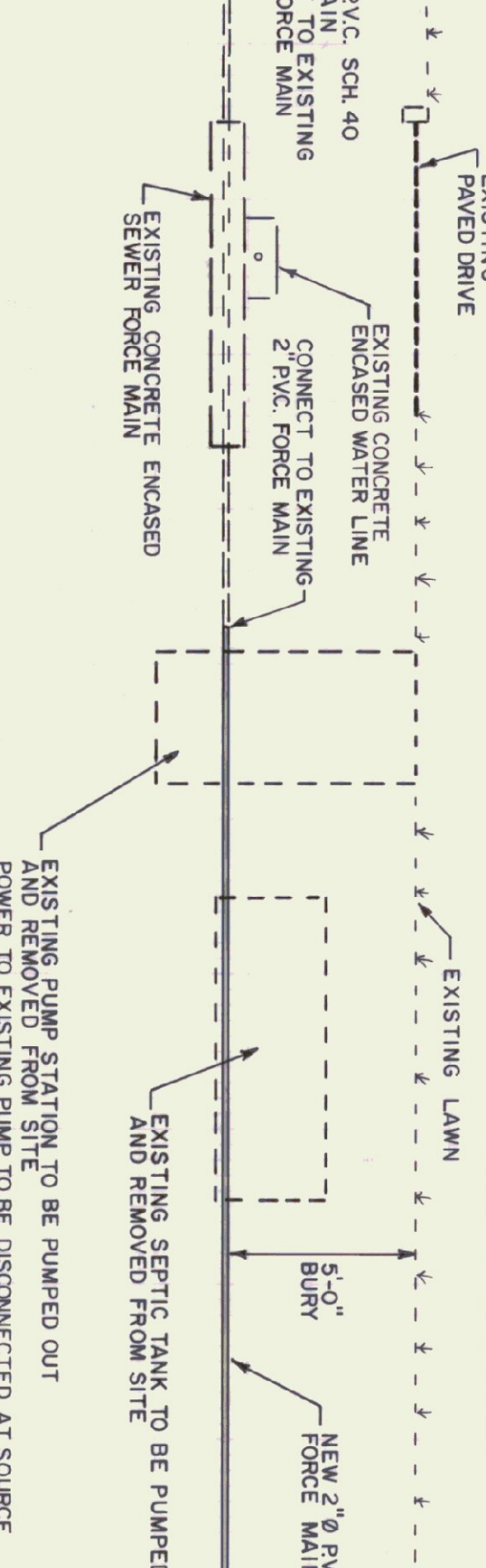


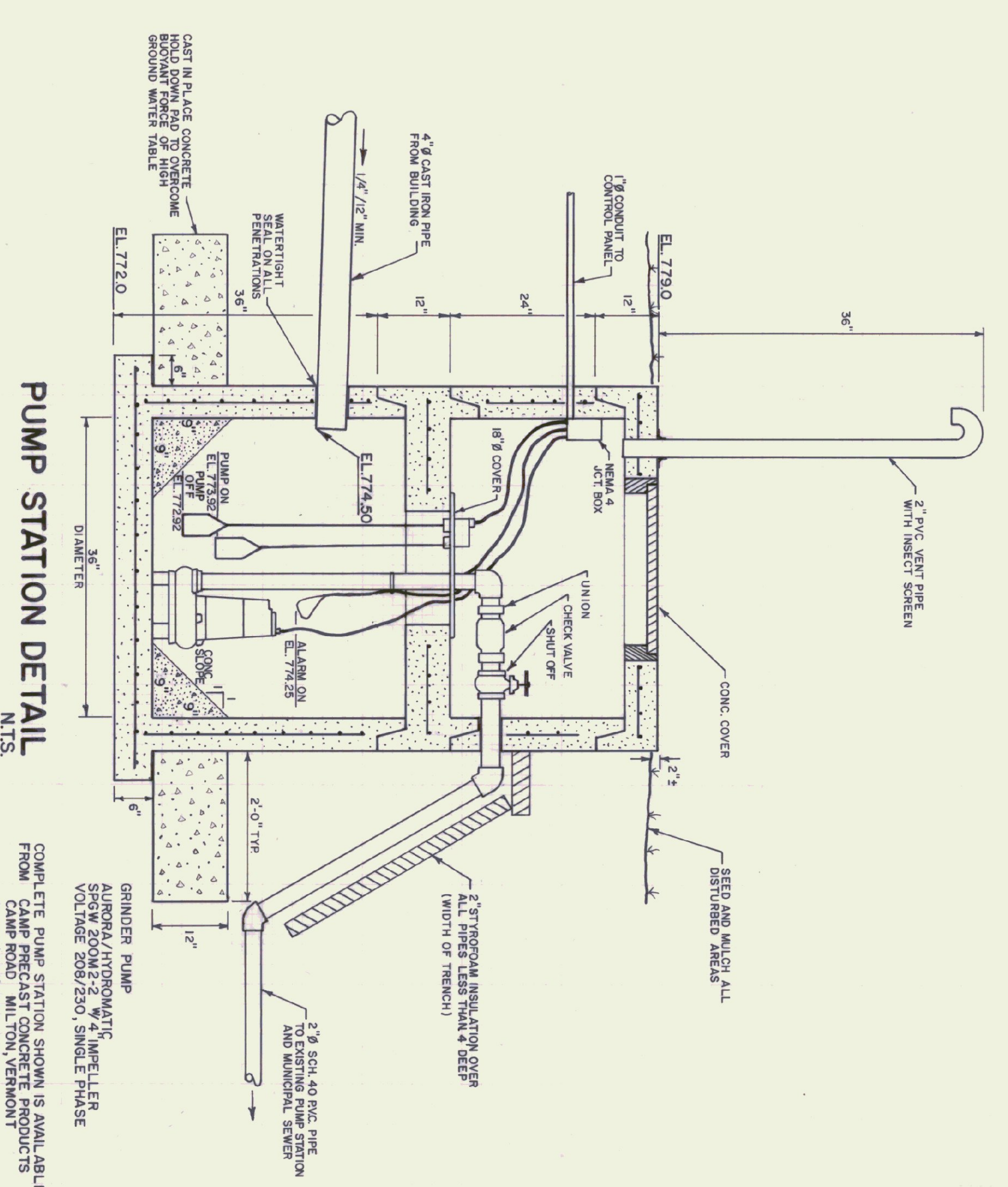
SITE PLAN
1"=20'-0"



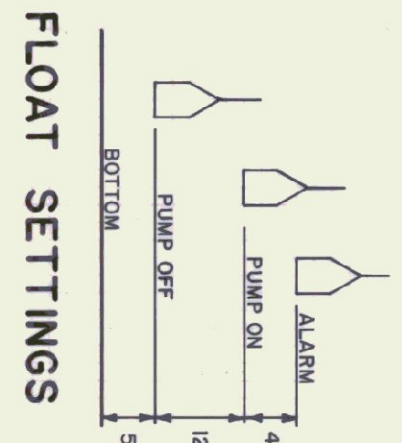
TRENCH DETAIL
N.T.S.



SEWER PROFILE
N.T.S.



PUMP STATION DETAIL
N.T.S.



FLOAT SETTINGS

DESIGN DATA

DESIGN FLOW 100 GPD.
DOSE 2 TIMES PER DAY ±

DESIGN FLOW FOR THIS SPORADICALLY USED BUILDING IS ESTIMATED BASED ON A PEAK DAY WITH THE EQUIVALENT OF 6 OFFICE WORKERS IN THE BUILDING FOR AN 8 HOUR SHIFT.
(6 x 15 GPD. = 90 GPD. ROUNDED TO 100 GPD.)

STATE OF VERMONT		RUTLAND STATE AIRPORT	
DEPARTMENT OF STATE BUILDINGS		N. CLARENDON, VERMONT	
AGENCY OF ADMINISTRATION		VERMONT	
MONTPELIER		VERMONT	
CIVIL AIR PATROL BUILDING			
SEWER CONNECTION			
DATE:	MAY 1991	SCALE:	AS NOTED
DRAWN BY:	S.K. JANAWICZ	APPROVED BY:	J.A. RICHARDSON
REVISIONS:		DWG. NO.:	
		OF	