

AIR HANDLING UNIT SCHEDULE - DX

UNIT NO.	LOCATION	SERVICE	CFM STD AIR	MIN O.A. CFM	5 P. IN 1/2" IN. KG.		O.V. CFM	FAN RPM	FAN MIN. DIA.	MOTOR		E.A.T.		L.A.T.		TOTAL TONS	FACE FPM	ROWS	CIRCUITS	EAT °F	LAT °F	HEH	FPM	ROWS	GPM	TEMP °F	F.D. H.D.	DESIGN EQUIPMENT		
					EXT	TOTAL				HP	VOLTS	PHASE	STARTER	DB F	MB F														DB F	MB F
A4H1	STORAGE 208	HEATING	1400	380	1.0	2.0	2736	1704	9 1/4	1750	2.0	240	1ø	C, 1/4/5	80	6ø	5ø	54.5	4.5	--	--	5ø	80	41.2	299	1	2.4	40	0.10	TORK "5332"

* PROVIDE WITH EXTENDED COIL SECTION FOR FUTURE COOLING COIL, MOTOR AND FAN SPEED BASED ON FUTURE AS COIL CHANGE SHEAVES TO MEET CFM SCHEDULED

CABINET UNIT HEATER SCHEDULE - HOT WATER

TYPE	LOCATION	TYPE	CFM	CAPACITY TOTAL	TEMP. DROP °F	PRESS. FT. HD.	E.A.T. °F	L.A.T. °F	FAN MOTOR		DESIGN EQUIPMENT	
									HP	VOLTS		PHASE
UH1	MACH RM1	HORIZ.	210	6.8	0.8	20	0.8	41	9M	120	1ø	STERLING 785 100A*
UH1	VESTIBULE	CABINET	170	14.4	1.0	34.8	--	60	1/5	120	1ø	STERLING 785 102*

2 ROW COIL

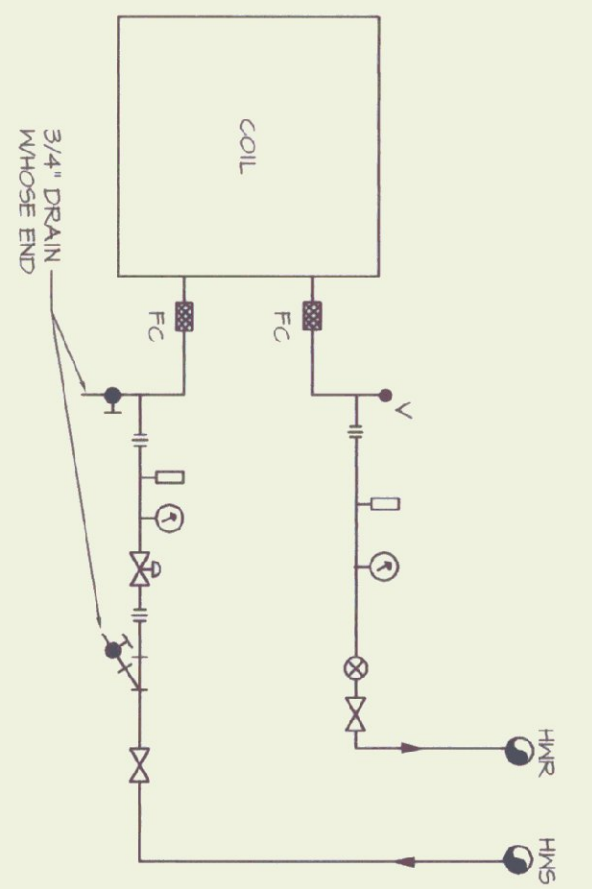
UNIT NO.	LOCATION	SERVICE	TYPE	CFM	5 P. FAN DIA.	FAN TYPE	BLADE TYPE	FAN RPM	TIP SPEED (FPM)	OUTLET VEL. (FPM)	DRIVE	ROTATION	RPM	MOTOR		DESIGN EQUIPMENT			
														HP	VOLTS		PHASE	STARTER	PILOT LIGHT
EF1	MACH RM1	ELEV. EXH.	CEILING	500	0.25	12	CENT	1080	--	511	DIRECT	--	1080	240M	120	1ø	HAYNAL	NO	GREENNECK °SP 155°
EF2	MACH RM1	TILT EXH.	INLINE	300	0.25	12	CENT	1080	--	881	DIRECT	--	1080	199M	120	1ø	HAYNAL	NO	GREENNECK °SP 152A°
EF3	MACH RM1	TILT EXH.	INLINE	400	0.25	12	CENT	1075	--	1116	DIRECT	--	1075	217M	120	1ø	HAYNAL	NO	GREENNECK °SP 152A°

FAN SCHEDULE

HVAC SYMBOL LIST

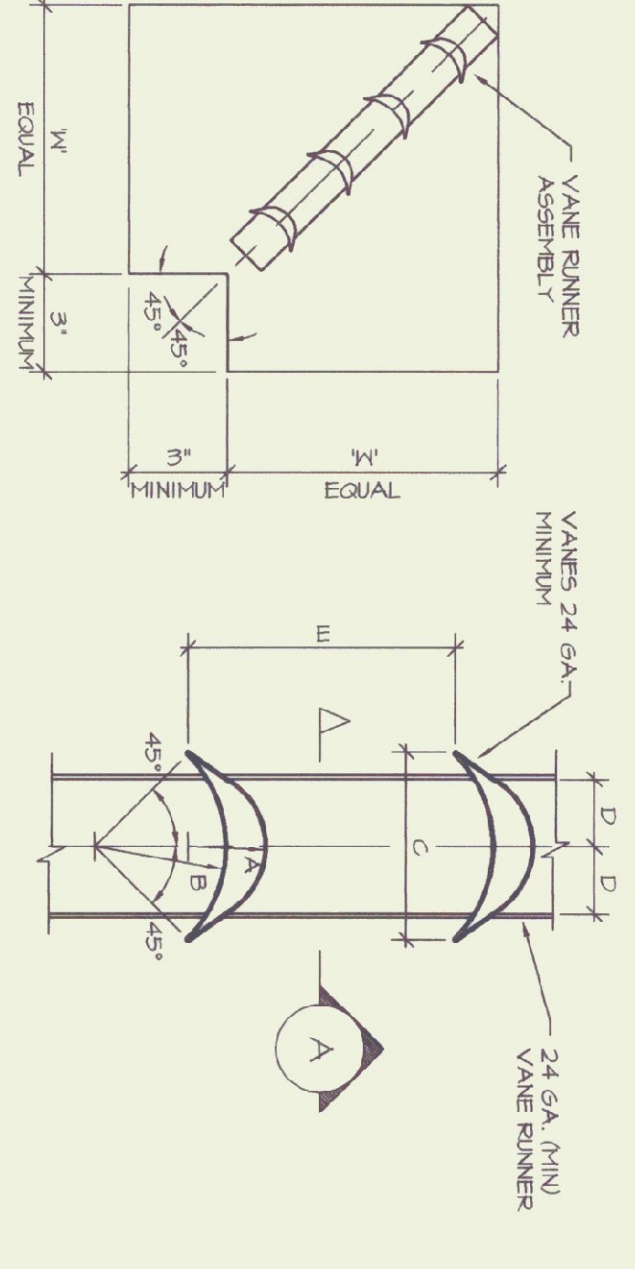
ALL SYMBOLS ARE NOT NECESSARILY USED

LI-BS	LOW PRESSURE STEAM
LI-10	LOW PRESSURE CONDENSATE
LI-50	MEDIUM PRESSURE STEAM
LI-100	MEDIUM PRESSURE CONDENSATE
LI-150	HIGH PRESSURE STEAM
LI-200	HIGH PRESSURE CONDENSATE
LI-250	HOT WATER SUPPLY
LI-300	HOT WATER RETURN
LI-350	HEAT PUMP WATER SUPPLY
LI-400	HEAT PUMP WATER RETURN
LI-450	CHILLED WATER SUPPLY
LI-500	CHILLED WATER RETURN
LI-550	ELECT. SUPPLY
LI-600	CONDENSER WATER SUPPLY
LI-650	CONDENSER WATER RETURN
LI-700	PUMPED CONDENSATE
LI-750	BOILER FEED
LI-800	BOILER BLOW DOWN
LI-850	DRYER EXHAUST
LI-900	REFRIGERANT DISCHARGE
LI-950	REFRIGERANT LIQUID
LI-1000	REFRIGERANT SUCTON
LI-1050	REFRIGERANT HOT GAS
LI-1100	REFRIGERANT AIR
LI-1150	GAS
LI-1200	FUEL OIL SUPPLY
LI-1250	FUEL OIL RETURN
LI-1300	FUEL OIL VENT
LI-1350	FUEL OIL FILL
LI-1400	FUEL OIL TRAP
LI-1450	DOMESTIC COLD WATER (CW)
LI-1500	DIRECTION OF FLOW
LI-1550	REDUCER
LI-1600	CAP OR FLUE
LI-1650	BOTTOM CONNECTION AWAY
LI-1700	TOP CONNECTION TOWARDS
LI-1750	VALVE (SHUT OFF)
LI-1800	GLOBE VALVE
LI-1850	CHECK VALVE
LI-1900	CONTROL VALVE (2-WAY)
LI-1950	PRESSURE RELIEF VALVE
LI-2000	TRIPLE DUTY VALVE
LI-2050	PRESSURE REDUCING VALVE
LI-2100	BALANCING COCK
LI-2150	FLOW BALANCER
LI-2200	STRAINER
LI-2250	FLANGED VENT TRAP ASSEMBLY
LI-2300	FLANGED THERMOSTATIC TRAP ASSEMBLY
LI-2350	BUCKET TRAP ASSEMBLY
LI-2400	THERMODYNAMIC TRAP
LI-2450	THERMOMETER
LI-2500	PRESSURE GAUGE
LI-2550	AIR VENT
LI-2600	TEST/TEST/CONTROL WELL
LI-2650	FIRE PITCH (P/INCLINE RISE)
LI-2700	FIRE PITCH DOWNLINE DROP
LI-2750	FINNED TUBE RADIATION ELEMENT
LI-2800	WALL TO WALL FIN TUBE ENCLOSURE
LI-2850	TRANSITION SQUARE TO ROUND
LI-2900	RETURN OR EXHAUST DUCT SECTION
LI-2950	ROUND DUCT SECTION
LI-3000	FIRE DAMPER
LI-3050	BACKDRAFT DAMPER
LI-3100	SMOKE DAMPER
LI-3150	WALL DAMPER
LI-3200	MOTOR OPERATED DAMPER
LI-3250	CUBIC FEET/MINUTE
LI-3300	FEET/MINUTE
LI-3350	NOT TO SCALE
LI-3400	DUCT SMOKE DETECTOR
LI-3450	DUCT SMOKE DETECTOR EXISTING
LI-3500	THERMOSTAT
LI-3550	ELECTRIC THERMOSTAT WITH MULTIPLE SET POINTS
LI-3600	WITH A GAUGE
LI-3650	STATIC PRESSURE SENSOR
LI-3700	HANDICUT
LI-3750	HANDICUT DOOR (7" BY THE 6' C.)
LI-3800	LOVERED DOOR, INDICATES SQ. FT. FREE AREA
LI-3850	ACODING
LI-3900	ACODING
LI-3950	ACODING
LI-4000	ACODING
LI-4050	ACODING
LI-4100	ACODING
LI-4150	ACODING
LI-4200	ACODING
LI-4250	ACODING
LI-4300	ACODING
LI-4350	ACODING
LI-4400	ACODING
LI-4450	ACODING
LI-4500	ACODING
LI-4550	ACODING
LI-4600	ACODING
LI-4650	ACODING
LI-4700	ACODING
LI-4750	ACODING
LI-4800	ACODING
LI-4850	ACODING
LI-4900	ACODING
LI-4950	ACODING
LI-5000	ACODING
LI-5050	ACODING
LI-5100	ACODING
LI-5150	ACODING
LI-5200	ACODING
LI-5250	ACODING
LI-5300	ACODING
LI-5350	ACODING
LI-5400	ACODING
LI-5450	ACODING
LI-5500	ACODING
LI-5550	ACODING
LI-5600	ACODING
LI-5650	ACODING
LI-5700	ACODING
LI-5750	ACODING
LI-5800	ACODING
LI-5850	ACODING
LI-5900	ACODING
LI-5950	ACODING
LI-6000	ACODING
LI-6050	ACODING
LI-6100	ACODING
LI-6150	ACODING
LI-6200	ACODING
LI-6250	ACODING
LI-6300	ACODING
LI-6350	ACODING
LI-6400	ACODING
LI-6450	ACODING
LI-6500	ACODING
LI-6550	ACODING
LI-6600	ACODING
LI-6650	ACODING
LI-6700	ACODING
LI-6750	ACODING
LI-6800	ACODING
LI-6850	ACODING
LI-6900	ACODING
LI-6950	ACODING
LI-7000	ACODING
LI-7050	ACODING
LI-7100	ACODING
LI-7150	ACODING
LI-7200	ACODING
LI-7250	ACODING
LI-7300	ACODING
LI-7350	ACODING
LI-7400	ACODING
LI-7450	ACODING
LI-7500	ACODING
LI-7550	ACODING
LI-7600	ACODING
LI-7650	ACODING
LI-7700	ACODING
LI-7750	ACODING
LI-7800	ACODING
LI-7850	ACODING
LI-7900	ACODING
LI-7950	ACODING
LI-8000	ACODING
LI-8050	ACODING
LI-8100	ACODING
LI-8150	ACODING
LI-8200	ACODING
LI-8250	ACODING
LI-8300	ACODING
LI-8350	ACODING
LI-8400	ACODING
LI-8450	ACODING
LI-8500	ACODING
LI-8550	ACODING
LI-8600	ACODING
LI-8650	ACODING
LI-8700	ACODING
LI-8750	ACODING
LI-8800	ACODING
LI-8850	ACODING
LI-8900	ACODING
LI-8950	ACODING
LI-9000	ACODING
LI-9050	ACODING
LI-9100	ACODING
LI-9150	ACODING
LI-9200	ACODING
LI-9250	ACODING
LI-9300	ACODING
LI-9350	ACODING
LI-9400	ACODING
LI-9450	ACODING
LI-9500	ACODING
LI-9550	ACODING
LI-9600	ACODING
LI-9650	ACODING
LI-9700	ACODING
LI-9750	ACODING
LI-9800	ACODING
LI-9850	ACODING
LI-9900	ACODING
LI-9950	ACODING



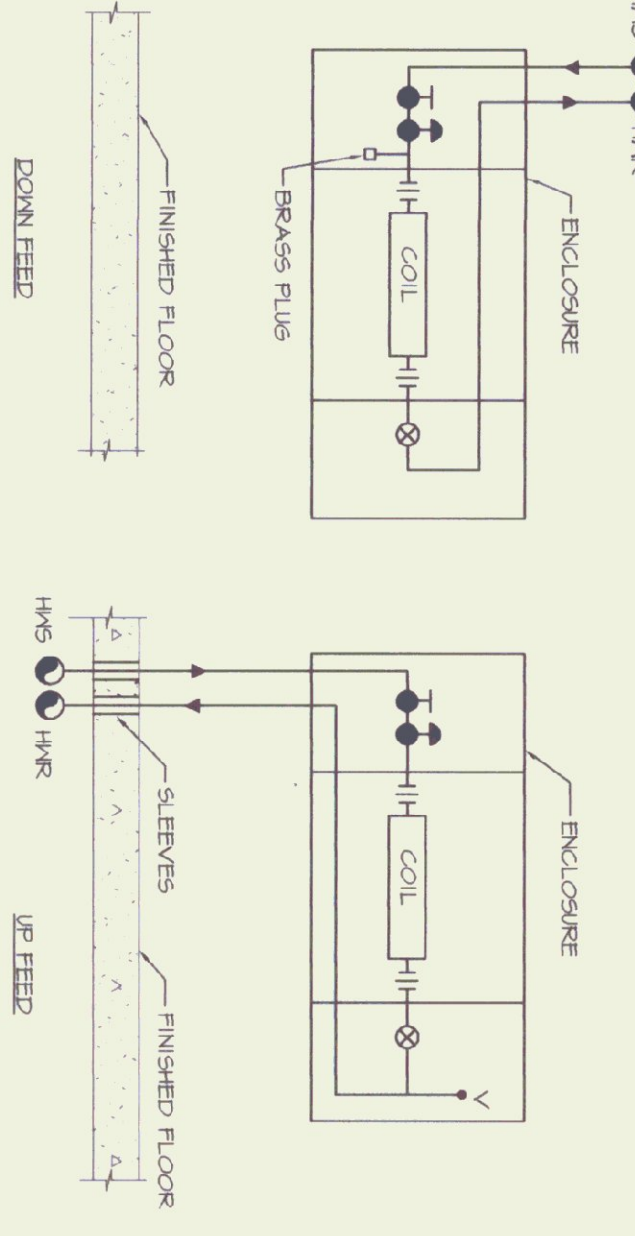
HEATING COIL PIPING DETAIL

- NOTES:
- ARRANGE PIPING TO ALLOW SERVICE OF COIL FROM EITHER SIDE OF UNIT HEATER AND TO ALLOW ACCESS TO FILTERS AND ACCESS PANELS.
 - WHERE THERE IS MORE THAN ONE COIL SECTION PROVIDE ISOLATION VALVES AND FLOW BALANCER FOR EACH SECTION.
 - PIPE SUPPLY TO DISCHARGE AIR SIDE.



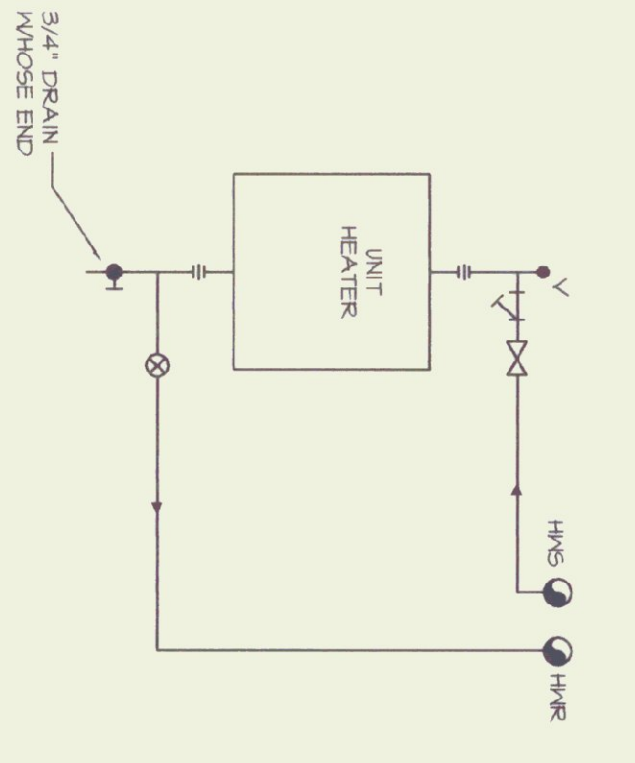
VANED ELBOW DETAIL

DM	MIN. D OVER	MIN. D UNDER
A	2-1/4\" R	1 R
B	4-1/4\" R	2 R
C	6-3/8\"	2-7/8\"
D	2-1/4\"	1-1/8\"
E	3-1/4\"	2-1/8\"



CABINET UNIT HEATER PIPING DETAILS

- NOTES:
- PIPING FOR CEILING MOUNTED UNITS IS SIMILAR



UNIT HEATER PIPING DETAIL

BROWNING ASSOCIATES
 PLANNING AND ARCHITECTURE
 54 1/2 CENTER STREET
 RUTLAND, VERMONT 05701

wv engineering associates inc. pa
 mechanical electrical consulting engineers
 po box 1464 keene, new hamphshire 03431
 603 352 7007 fax 352 7005
 WV No. 43358

HVAC DETAILS
 STATE OF VERMONT
 DEPARTMENT
 OF STATE BUILDINGS

NO.	REVISIONS	DATE
1	RELEASED FOR BID	4/25/14

NORTH ABBOT
 DESIGNED BY: **NAV**
 DRAWN BY: **MAN**
 CHECKED BY: **MOY**

M3
 SCALE: AS NOTED
 DATE: MARCH 21, 1994