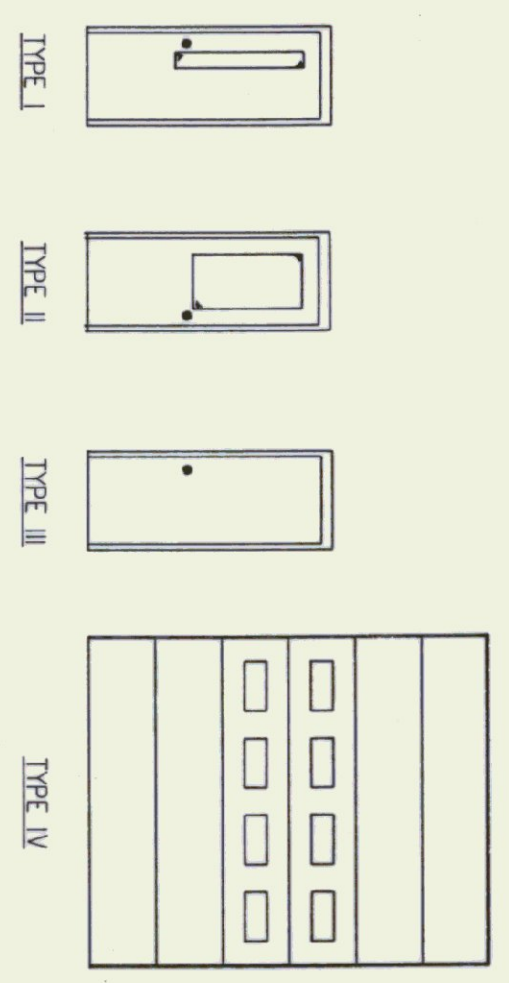
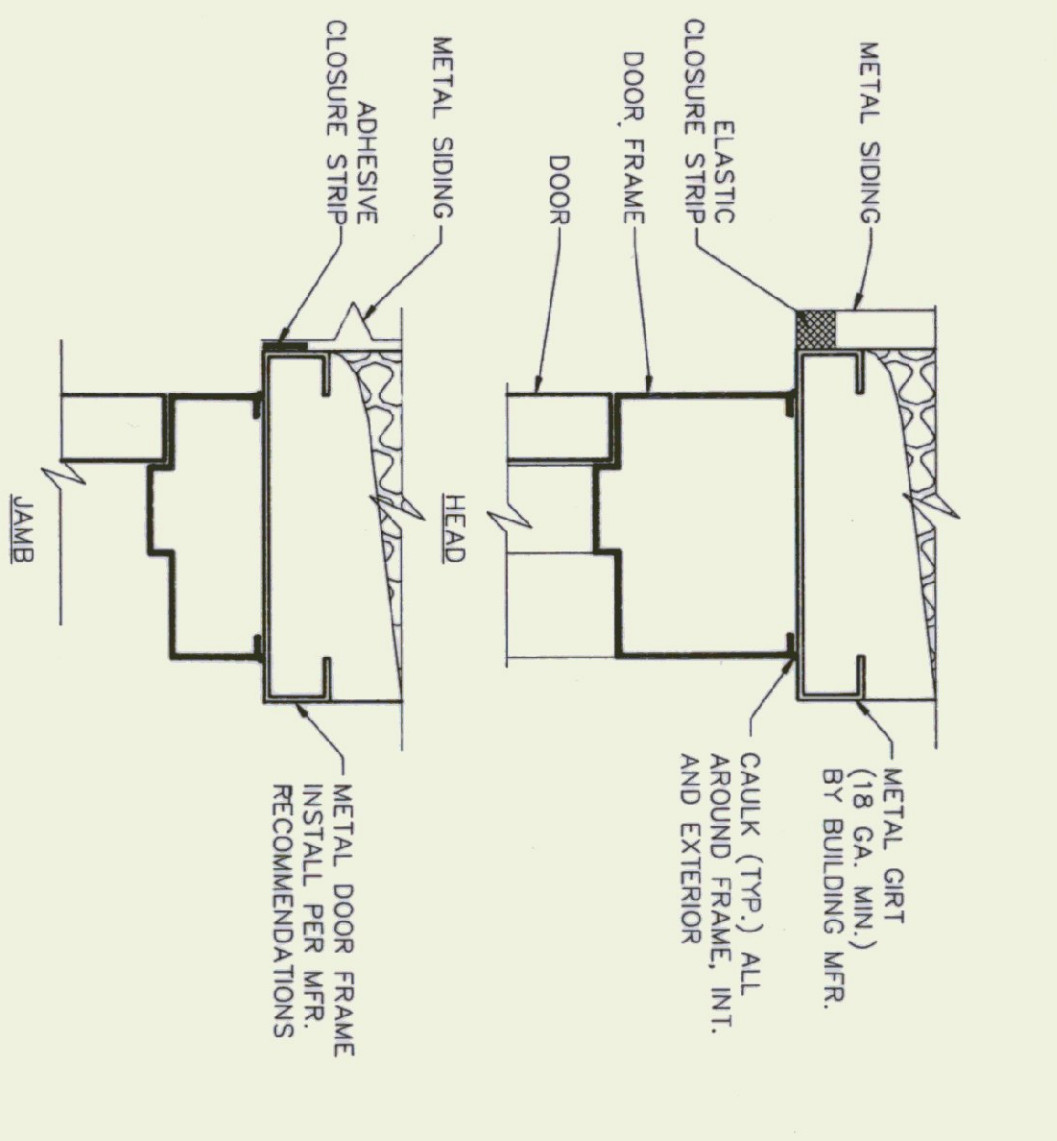


HANGAR AREA

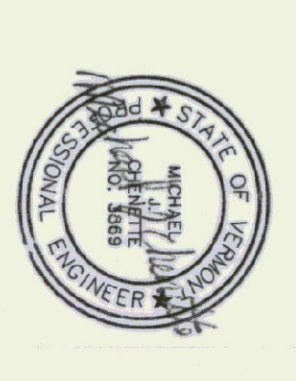
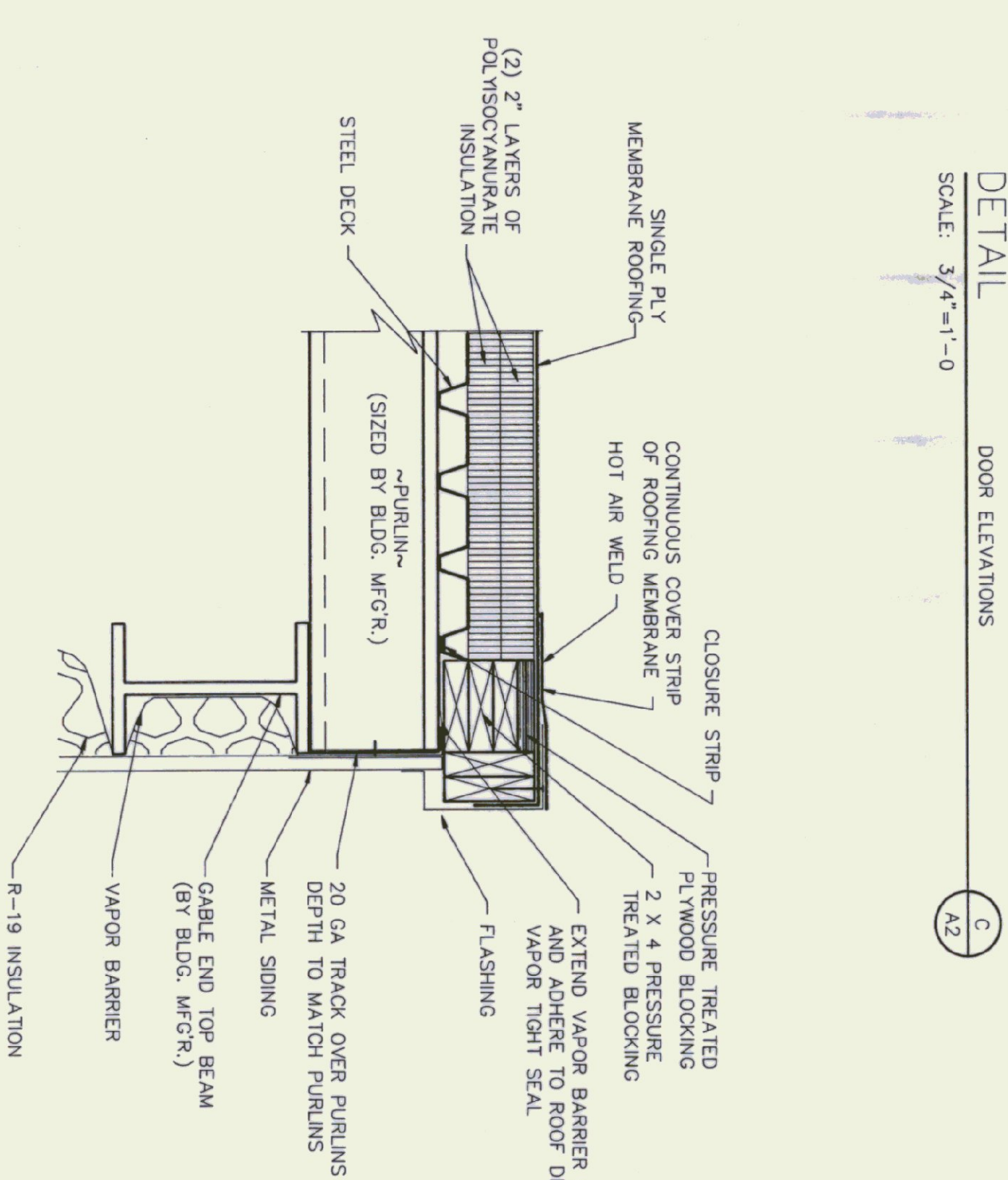
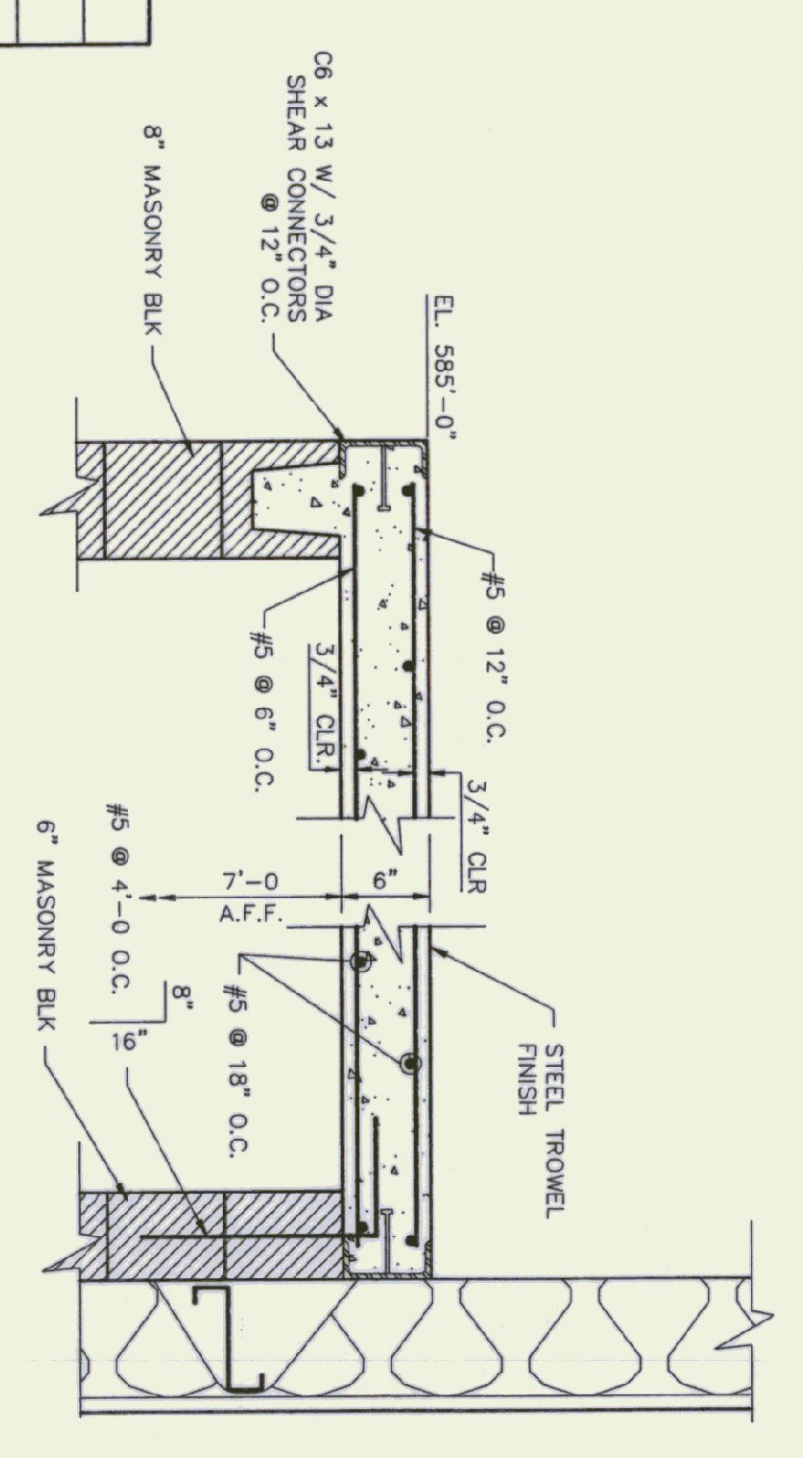


**DOOR SCHEDULE**

DOOR NUMBER	SIZE W x H	TYPE	FIRE RATING	DOOR MATERIAL	FRAME MATERIAL	GLAZING REQUIRE.	BUTTS	KICK PLATE	WEATHER STRIP	CLOSER	REMARKS
1	3'-0" x 7'-0"	I	C	METAL	METAL	6" x 48" WIREGLASS	4-1/2" x 4-1/2" BALL BEARING, NON-REMOVABLE FINS	3/4" x 10" STAINLESS STEEL	WINTL	SARGENT'S 1250 x P.A. x H.O.	THERMAL BREAK FRAME, THERMAL SWEEP
2	2'-8" x 6'-8"	II	C	-	-	20" x 32" SAFETY	4-1/2" x 4-1/2"	-	-	1250 x H.O.	-
3	3'-0" x 7'-0"	III	C	-	-	-	-	-	-	-	-
4	3'-0" x 7'-0"	III	C	-	-	-	-	-	-	-	-
5	10'-0" W x 12'-0" H	IV	C	INSUL. STEEL	STEEL CHANNEL	-	-	-	-	ELECTRIC	OVERHEAD DOOR SERIES 591 THERMACORE W/ ACRYLIC WINDOWS

**WINDOW SCHEDULE**

WINDOW NUMBER	TYPE	FRAME MATERIAL	ROUGH OPENING	REMARKS
1	AWNING	METAL	3'-4-1/2" W 2'-0-1/2" H	ACORN BLDG COMPONENTS 4300 SERIES - 3420 C SAFETY GLAZING
2	FIXED	-	4'-0" W 2'-5" H	-



Rev No	Date	Description	Made by	Checked by	App'd by

**NEW AIRPORT HANGAR #3  
 HARTNESS STATE AIRPORT  
 SPRINGFIELD, VERMONT  
 SECTIONS AND DETAILS**

CHENNETTE ENGINEERING, INC.  
 50 STATE STREET  
 MONTPELIER, VERMONT 05602

**A2**

Scale AS NOTED  
 Des. By: MJC  
 Dwn. By: JLS  
 Chk. By: MJC  
 Date SEPT 1984  
 Dwg 22-002-12