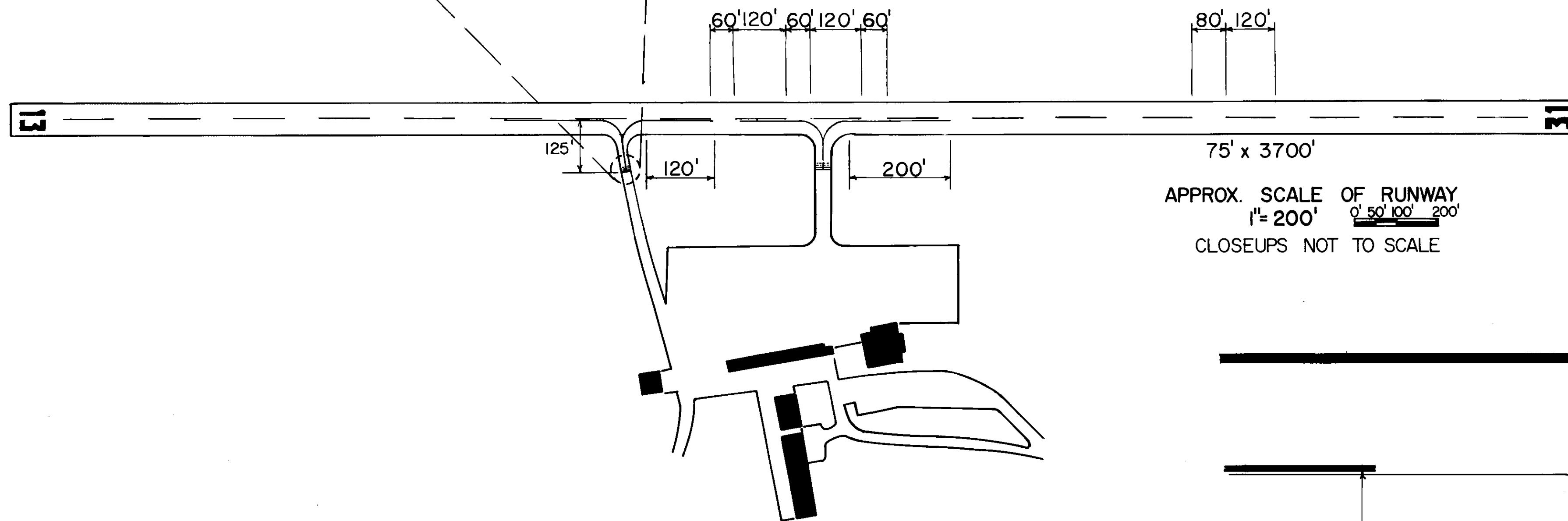
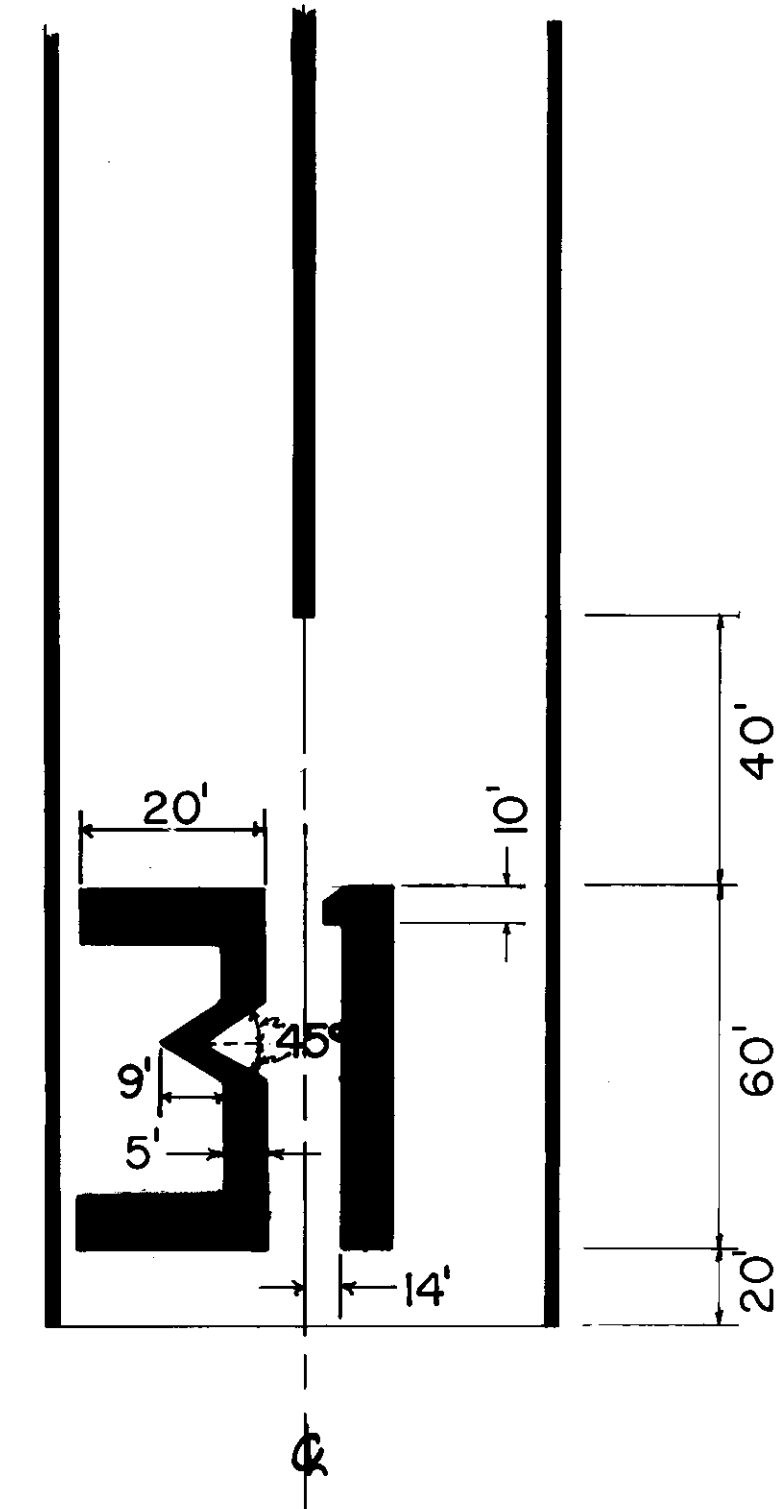
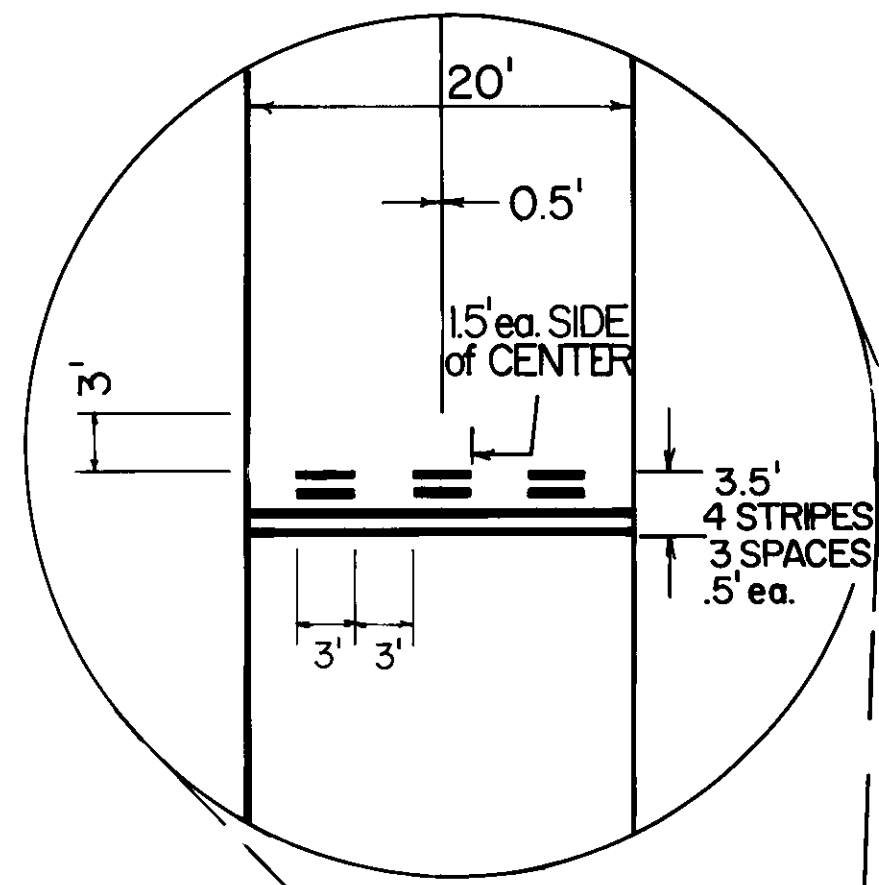
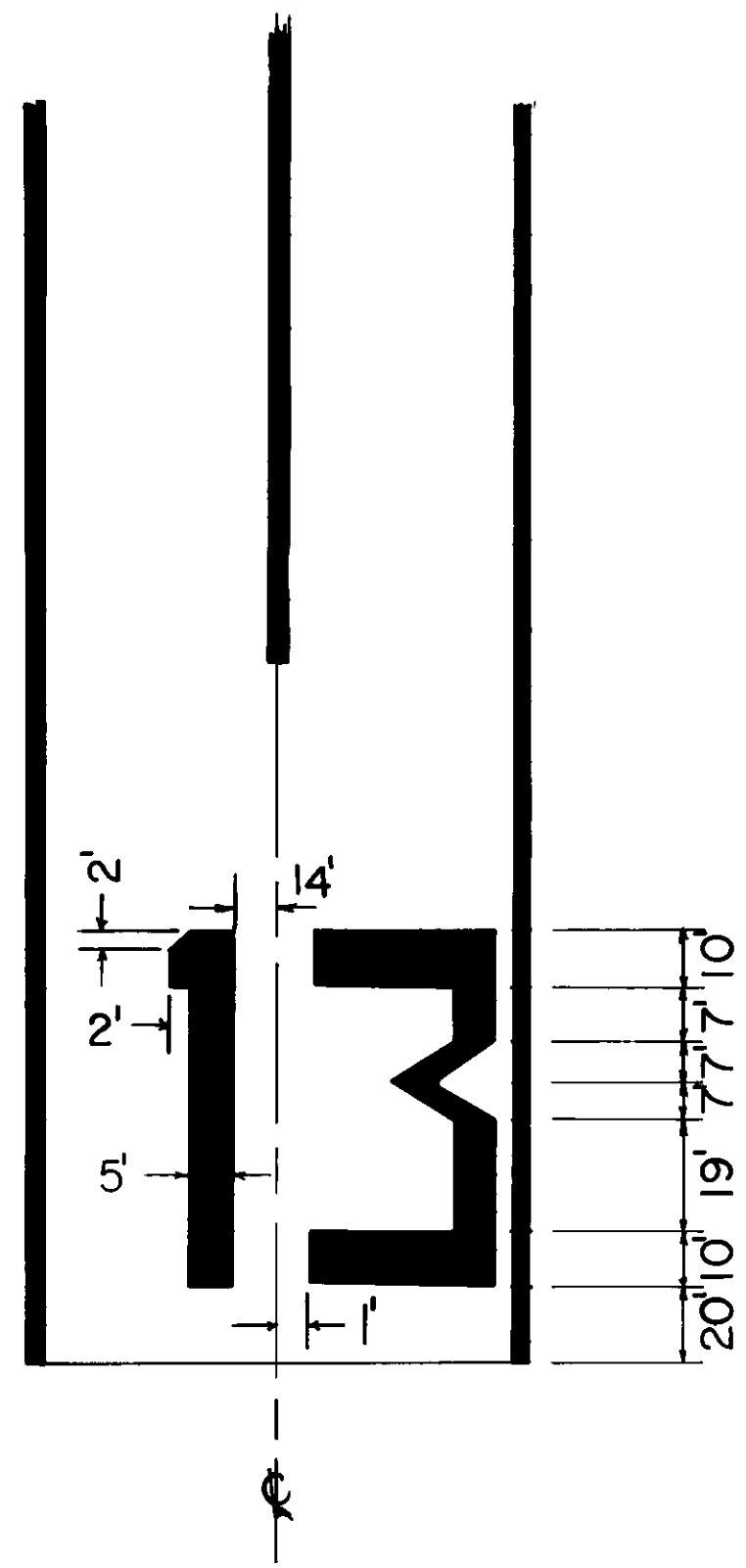


NOTE: SIDE STRIPES ARE NO LONGER NECESSARY PER AC 150/5340-1F CHANGE NO.1 DATED 8/16/91



APPROX. SCALE OF RUNWAY  
1" = 200' 0' 50' 100' 200'

- NOTES:
- 1) "ADJUSTMENTS TO THE LENGTHS OF THE STRIPES AND GAPS, WHERE NECESSARY TO ACCOMMODATE THE RUNWAY LENGTH, ARE MADE NEAR THE RUNWAY MIDPOINT." AC-150/5340
  - 2) THE NUMBERS SHOULD BE NO CLOSER THAN TWO FEET FROM THE EDGE LINE OF THE RUNWAY.
  - 3) NUMERALS ARE SAME DIMENSIONS ON BOTH ENDS.
  - 4) ALL RUNWAY MARKINGS ARE TO BE STRIATED WITH ALL STRIPES AND SPACES EQUAL IN WIDTH (4" TO 6").
  - 5) CALCULATIONS BASED ON SOLID MARKINGS (NOT STRIATED).
  - 6) CENTERLINE AND SPACING ARE TYPICAL. (CENTERLINE IS 120' LONG & SPACING IS 80' LONG UNLESS OTHERWISE SPECIFIED.)

PAINT QUANTITIES				
LOCATION	SQUARE FEET	NO. OF GALLONS	COLOR	
			WHITE	YELLOW
CENTERLINE STRIPE	3240	32	★	
NUMERALS	1836	18	★	
HOLDING POSITION MARKING	82	1		★
TAXIWAY CENTERLINE	5225	52		★

W. H. MORSE STATE AIRPORT  
PAINT STRIPING DETAIL  
13/31 VISUAL RUNWAY

REVISIONS: JUNE 1989 SLB  
MAY 1992 SDS

