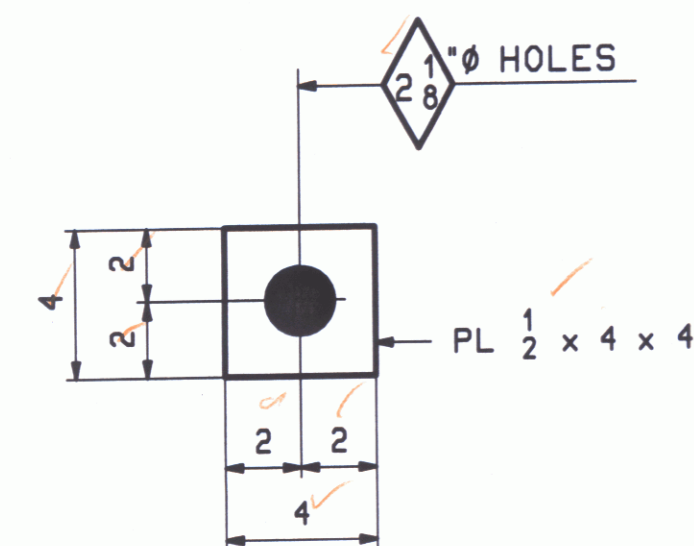
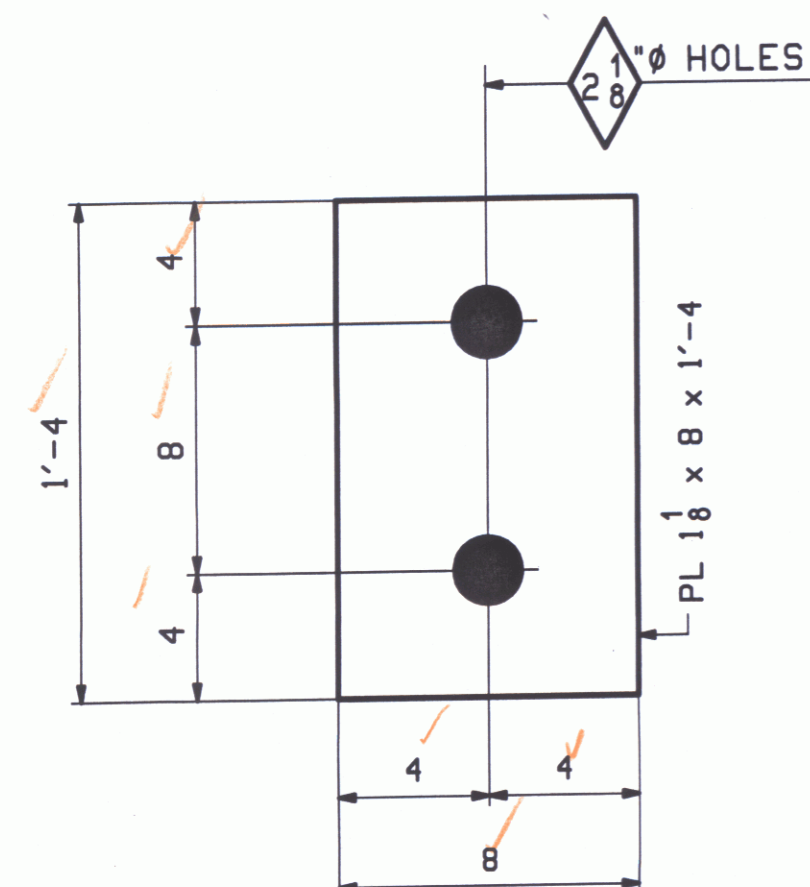


17 ~ ANCHOR BOLTS - 5AB1

1 - EXTRA FOR TESTING
NO NUTS OR WASHERS REQ'D



32 - PLATE WASHERS ~ b5



8/16 - SOLE PLATE ~ 5SP1
(LEVELING PLATE)

ABM INFO		BILL OF MATERIAL				JOB NO.	DRAWING NO.	REV.	
PAGE	LINE	MARK	QTY	MARK	MATERIAL	LENGTH FT INCHES	REMARKS	WT	PROCUREMENT NOTES
					ANCHOR BOLTS				
3	F		17	5AB1	2" Ø ROD	3' 0"	CLASS 8.8, 17" THRD (F568M-50)		
3	C		32	a5	PL 1/2 x 4	0 4"	PL WASH		
3	G		16		2" Ø HHN		GR. DH3 HSB3		
3	H		32		2" Ø HHN		GR. DH3 (DOUBLE HVY HEX) HSB3		
					SOLE PLATE				
3	B		8/16	5SP1	PL 1/8 x 8	1' 4"	LEVELING PLATE		

RECEIVED
CK'D BY: SAM CK'D BY: THL
MAY 12 2009
APPROVED: as noted
BY: Rkw DATE: 5-12-09

0					APR 22 2009	
REV.	DATE	REMARKS	DWN	CHK	APVL	SHOP
MATERIAL:		SURFACE PREP. & PAINT:		HOLES:		SHOP BOLTS:
M270-50W		SEE GNI		NOTED		NONE
DESCRIPTION: ANCHOR BOLT DETAILS						
CASCO BAY STEEL STRUCTURES, INC. 75 SPRING HILL ROAD SACO, MAINE 04072 PHONE (207) 282-7360 FAX. (207) 282-1179						
STRUCTURE: TOWN HIGHWAY #2 OVER WILLOUGHBY RIVER BRIDGE NO. BR 8 TOWN OF BROWNINGTON COUNTY OF ORLEANS, VERMONT CONTRACTOR: AUSTIN CONSTRUCTION				DRAWN: LWD	DATE: 03/11	
				CHKD: PCP	DATE: 04/16	
LOCATION: Town of Brownington				JOB NO.	DWG NO.	
PROJ NO. BRO 1449 (2B)				396	5	
CUSTOMER: VERMONT AOT					REV.	△