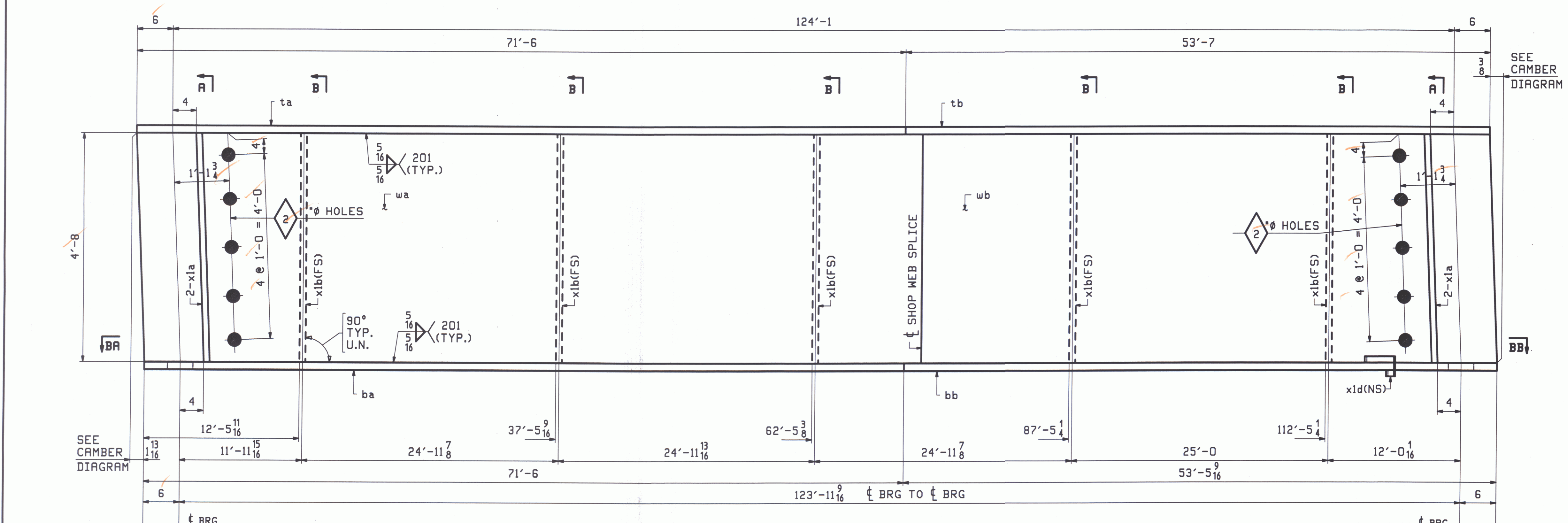
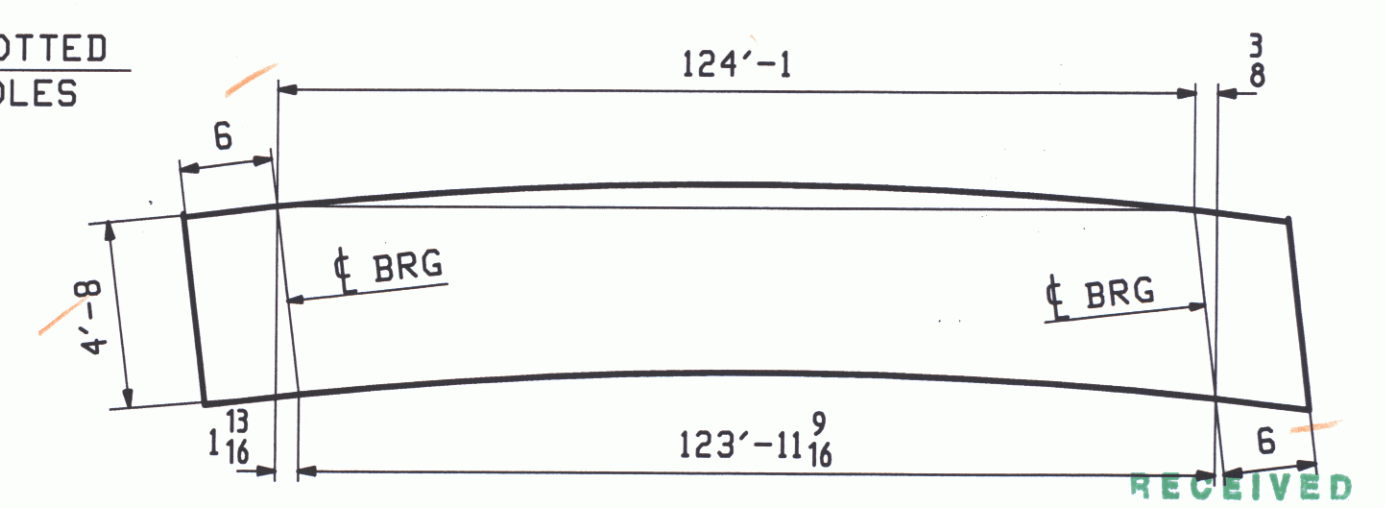
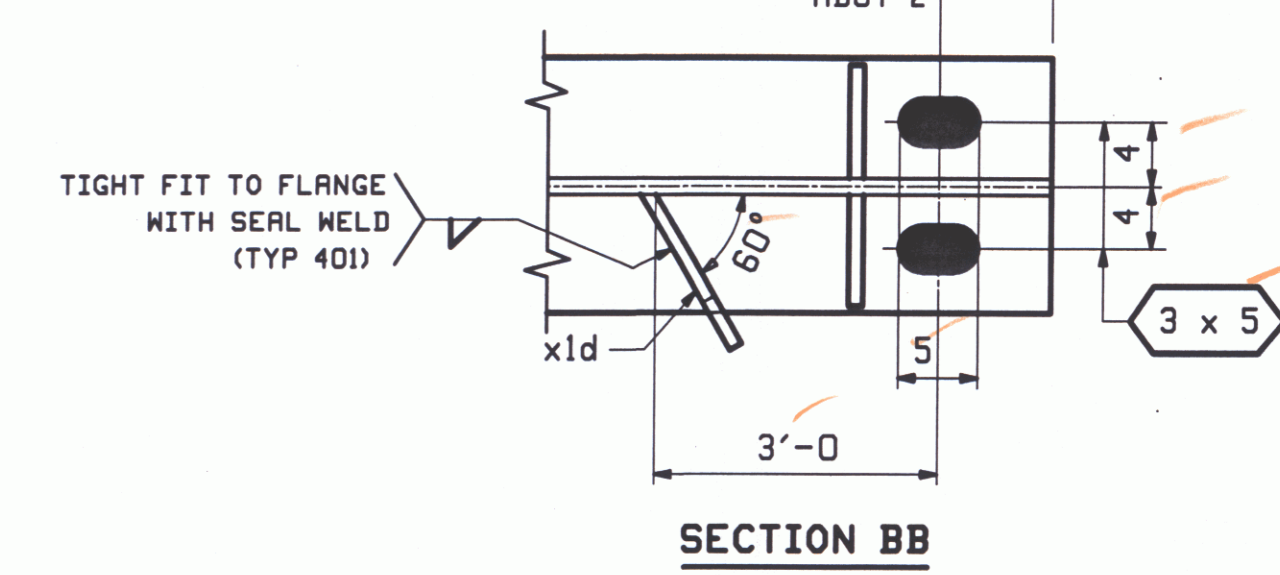


ABM INFO		BILL OF MATERIAL				JOB NO.	DRAWING NO.	REV.	
PAGE	LINE	MARK	QTY	MARK	MATERIAL	LENGTH FT INCHES	REMARKS	WT	PROCUREMENT NOTES
		3G4A	1		GIRDER			27568	
1	J		1	wa	PL $\frac{9}{16} \times 56$	72 $\frac{13}{16}$	M270-50WT2 (H2-3)		
1	L		1	wb	PL $\frac{9}{16} \times 56$	52 $\frac{6}{16}$	M270-50WT2 (H2-3)		
1	E		1	ta	PL $\frac{7}{8} \times 16$	71 $\frac{6}{16}$	M270-50WT2 (H2-3)		
1	G		1	tb	PL $\frac{7}{8} \times 16$	53 $\frac{7}{16}$	M270-50WT2 (H2-3)		
1	A		1	ba	PL $\frac{1}{8} \times 16$	71 $\frac{6}{16}$	M270-50WT2 (H2-3)		
1	C		1	bb	PL $\frac{1}{8} \times 16$	53 $\frac{9}{16}$	M270-50WT2 (H2-3)		
2	B		4	x1a	PL $\frac{1}{2} \times 7 \frac{1}{2}$	4 $\frac{8}{16}$	MIE		
2	C		5	x1b	PL $\frac{1}{2} \times 7 \frac{1}{2}$	4 $\frac{8}{16}$			
2	E		1	x1d	PL $\frac{1}{4} \times 3 \frac{1}{8}$	0 $\frac{11}{16}$	DRIP BAR		

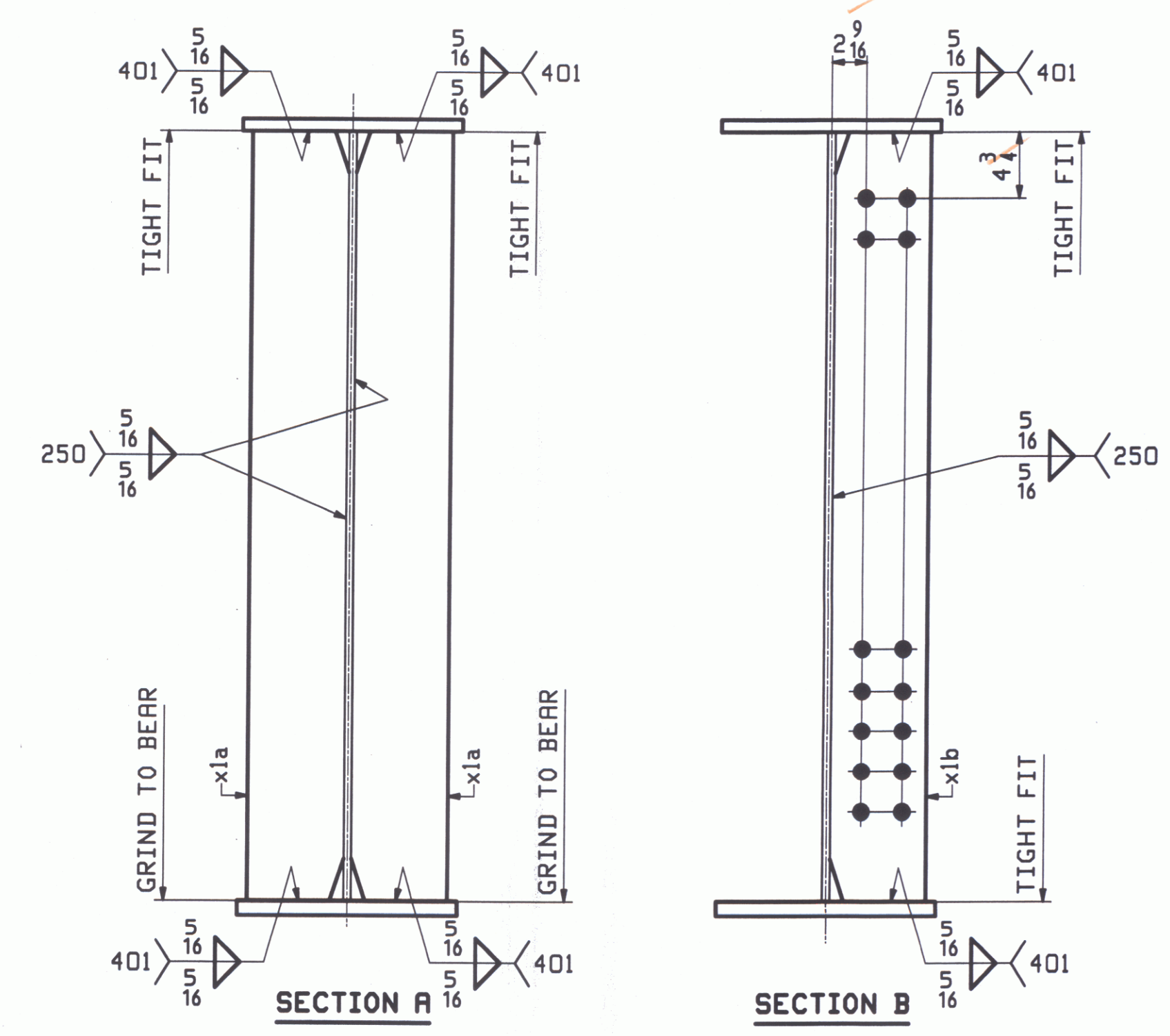
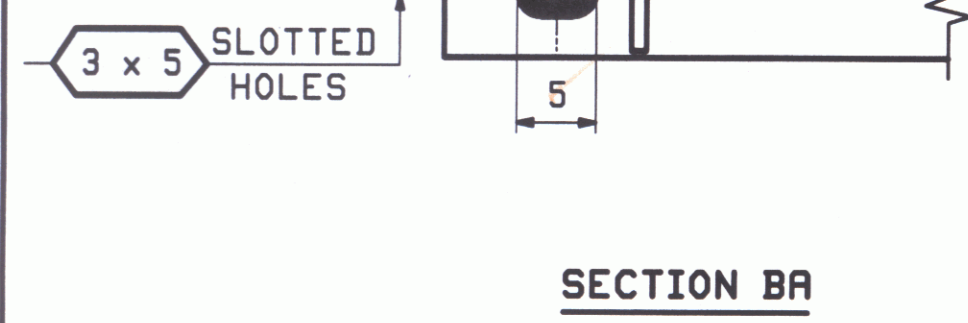


ONE - GIRDER - 3G4A

FOR GIRDER STANDARDS SEE DRAWINGS X1
 FOR CAMBER & FLANGE DIAGRAMS SEE DRAWING C1.
 FOR GENERAL NOTES & WELD PROCEDURES SEE DRAWING GNI.
 H2-3 DENOTES MATERIAL SUBJECT TO CHARPY V-NOTCH TESTING.



RECEIVED
 ORIENTED BY CAM, OK'D BY JHL
 MAY 1 2009
 REQUEST APPROVED
 BY RKL DATE 5-12-09



REV.	DATE	REMARKS	DWN	CHK	APVL	SHOP
0						
MATERIAL:		SURFACE PREP. & PAINT:		HOLES:		SHOP BOLTS:
M270-50W		SEE GNI		15 16 Ø		NONE
DESCRIPTION: GIRDER - 3G4A						
CASCO BAY STEEL STRUCTURES, INC. 75 SPRING HILL ROAD SACO, MAINE 04072 PHONE (207) 282-7360 FAX. (207) 282-1179						
STRUCTURE: TOWN HIGHWAY #2 OVER WILLOUGHBY RIVER BRIDGE NO. BR 8 TOWN OF BROWNINGTON COUNTY OF ORLEANS, VERMONT CONTRACTOR: AUSTIN CONSTRUCTION				DRAWN:	DATE:	
				LWD	03/11	
				CHKD:	DATE:	
				PCP	04/16	
LOCATION: Town of Brownington				JOB NO.	DWG NO.	
PROJ NO. BRO 1449 (28)				396	3	
CUSTOMER: VERMONT AOT					REV. △	