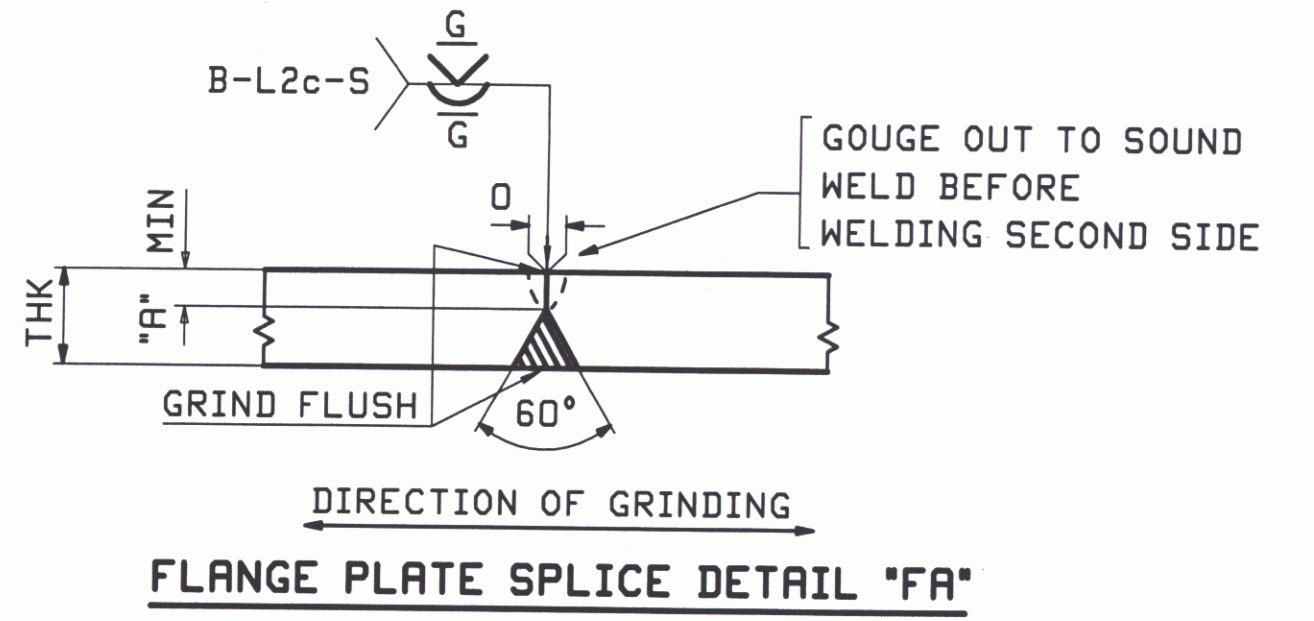
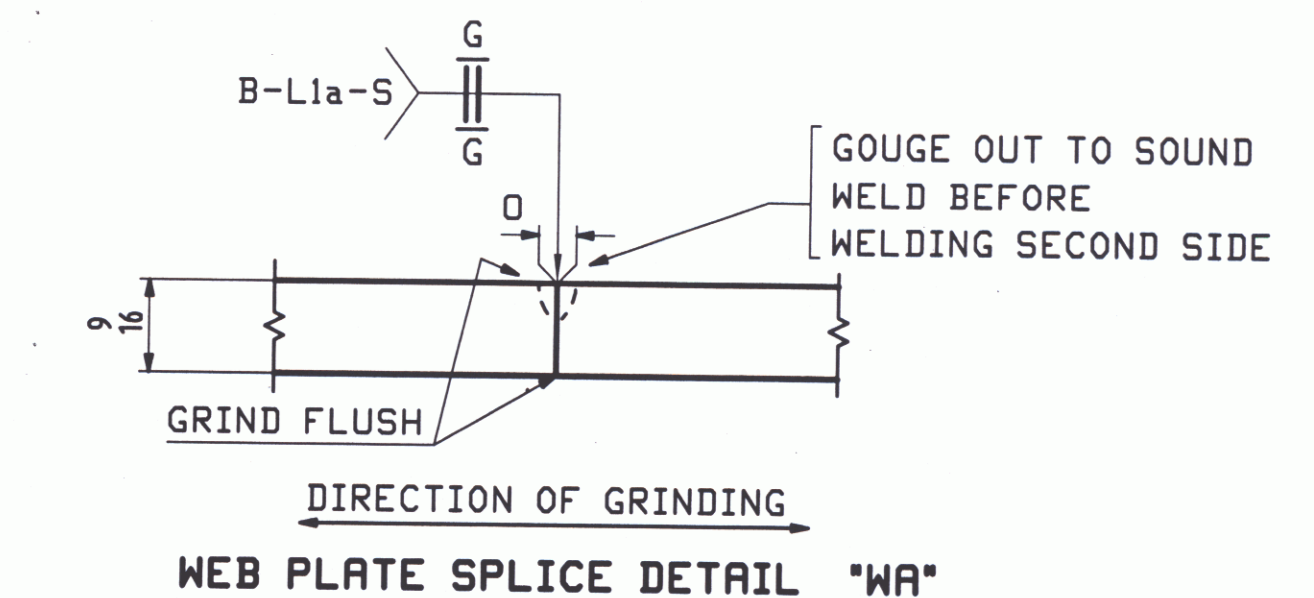
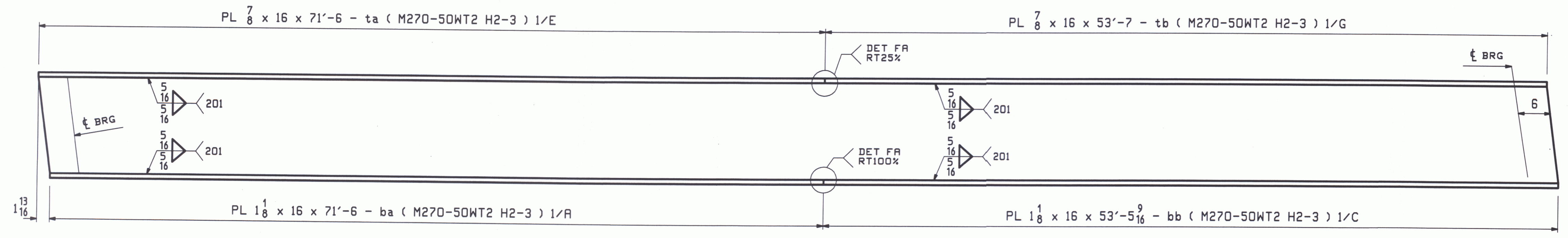


CAMBER DIAGRAM FOR 1G1A, 2G2A, 2G3A AND 3G4A



FLG THK	"A"
7/8	1/4
1/8	3/8



FLANGE DIAGRAM FOR 1G1A, 2G2A, 2G3A AND 3G4A

RECEIVED
 CK'D BY CRM OK'D BY T.H.L.
 MAY 1 2009
 RESUBMIT APPROVED
 BY FKW DATE 5-12-09

REV.	DATE	REMARKS	DWN	CHK	APVL	SHOP
0						
APR 22 2009						
MATERIAL:		SURFACE PREP. & PAINT:	HOLES:		SHOP BOLTS:	
AS NOTED		SEE GNI	NONE		NONE	
DESCRIPTION: CAMBER AND FLANGE DIAGRAM						
CASCO BAY STEEL STRUCTURES, INC. 75 SPRING HILL ROAD SACO, MAINE 04072 PHONE (207) 282-7360 FAX. (207) 282-1179						
STRUCTURE: TOWN HIGHWAY #2 OVER WILLOUGHBY RIVER BRIDGE NO. BR 8 TOWN OF BROWNINGTON COUNTY OF ORLEANS, VERMONT CONTRACTOR: AUSTIN CONSTRUCTION			DRAWN: LWD	DATE: 03/10		
LOCATION: Town of Brownington			CHKD: PCP	DATE: 04/16		
PROJ NO. BRO 1449 (28)		JOB NO. 396		DWG NO. C1		
CUSTOMER: VERMONT AOT				REV. <u>△</u>		

- NOTES:**
- FOR GENERAL NOTES SEE DWG GNI.
 - H2-3 DENOTES MATERIAL SUBJECT TO CHARPY V-NOTCH TEST AT H FREQ. FOR ZONE 2

PCP Tue, Apr 21, 2009 3:18:47 PM C:\user\john\2008\2008-03-18.dwg