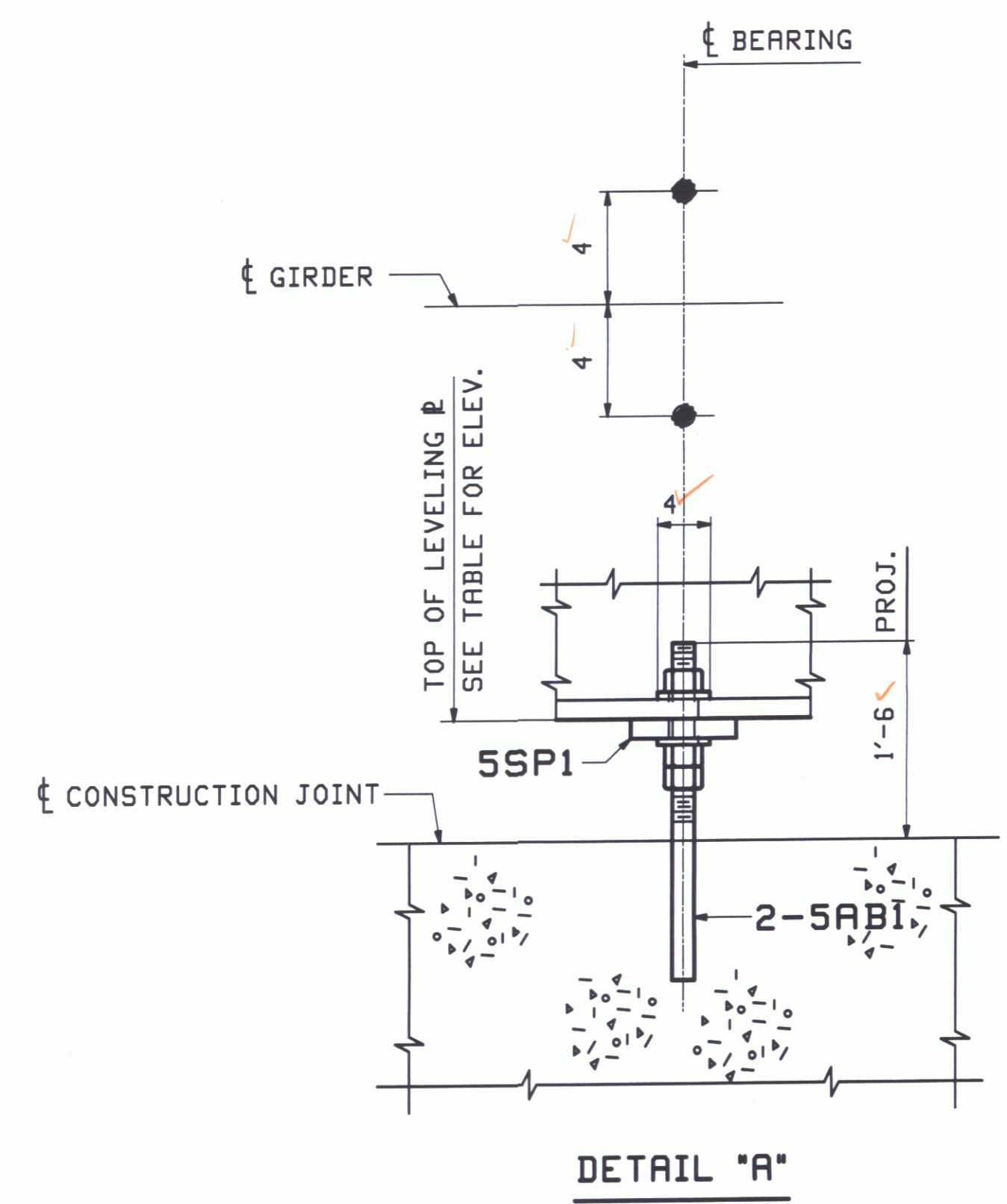


FRAMING & AB PLAN

FIELD BOLT LIST										A325 Type 3 BOLTS		WASH CODE	PIECES CONNECTED AND REMARKS
LINE	NO REQ'D.	BOLT DIR. LEN.	BOLTS OF CONN.	GRIP	THICKNESS OF PCS. CONNECTED								
1													INT. CROSSFRAMES
2	120	7/8	2 1/2	4	30	1	1/2	1/2					1 TOP GUSS TO CONN PLATE
3	300	7/8	2 1/2	10	30	1	1/2	1/2					1 BTM GUSS TO CONN PLATE
4													

WASHER CODES  
1: 1 Hard Flat Washer

FIELD BOLT SUMMARY						EXACT COUNT - NONE EXTRA		REMARKS
LINE	NO. OF BOLTS	BOLT DIAM.	TYPE	BOLT LEN.	ACTUAL COUNT			
1	420	7/8	A325 Type 3	2 1/2	420			
2								
3	420		Hard Flat Washers for 7/8" BOLT		F436-3			
4								
5								
6								



GIRDER LINE	ELEVATION	
	ABUT 1	ABUT 2
1	1105.91	1103.48
2	1106.04	1103.61
3	1106.04	1103.61
4	1105.91	1103.48

RECEIVED  
 CR'D BY Cam OK'D BY JHL  
 MAY 1 2009  
 RESUBMIT APPROVED  
 BY PRW DATE 5-12-09

NOTE:  
 FOR GENERAL NOTES SEE DRAWING GNI.

0				APR 22 2009		
REV.	DATE	REMARKS	DWN	CHK	APVL	SHOP
MATERIAL:		SURFACE PREP. & PAINT:		HOLES:		SHOP BOLTS:
DESCRIPTION: FRAMING & AB PLAN AND FIELD BOLTS						
CASCO BAY STEEL STRUCTURES, INC. 75 SPRING HILL ROAD SACO, MAINE 04072 PHONE (207) 282-7360 FAX. (207) 282-1179						
STRUCTURE: TOWN HIGHWAY #2 OVER WILLOUGHBY RIVER BRIDGE NO. BR 8 TOWN OF BROWNINGTON COUNTY OF ORLEANS, VERMONT CONTRACTOR: AUSTIN CONSTRUCTION				DRAWN: LWD	DATE: 03/11	
LOCATION: Town of Brownington				CHKD: PCP	DATE: 04/16	
PROJ NO.	BR0 1449 (28)		JOB NO.		DWG NO. E1	
CUSTOMER:	VERMONT ROT		396		REV. $\Delta$	