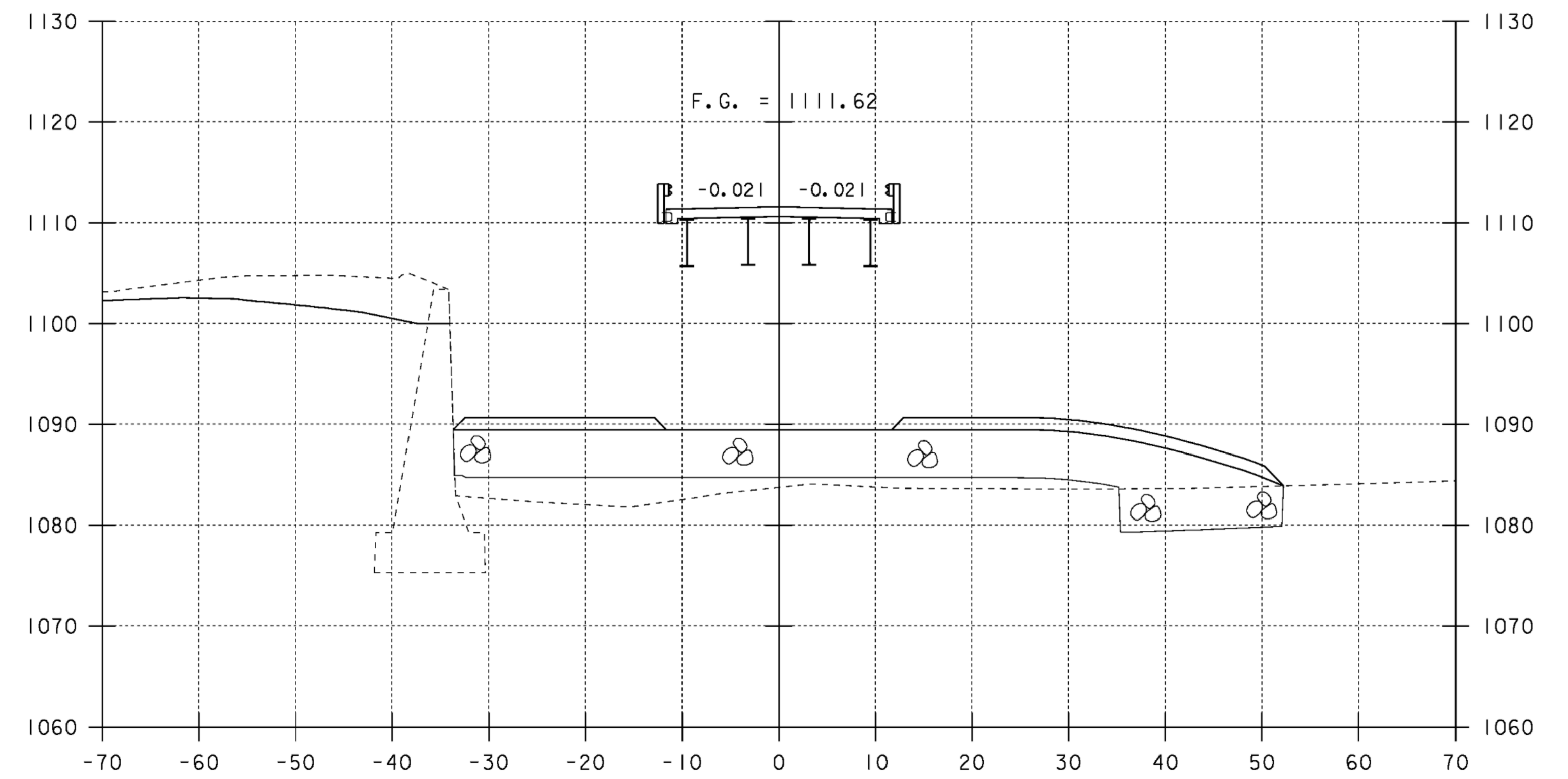
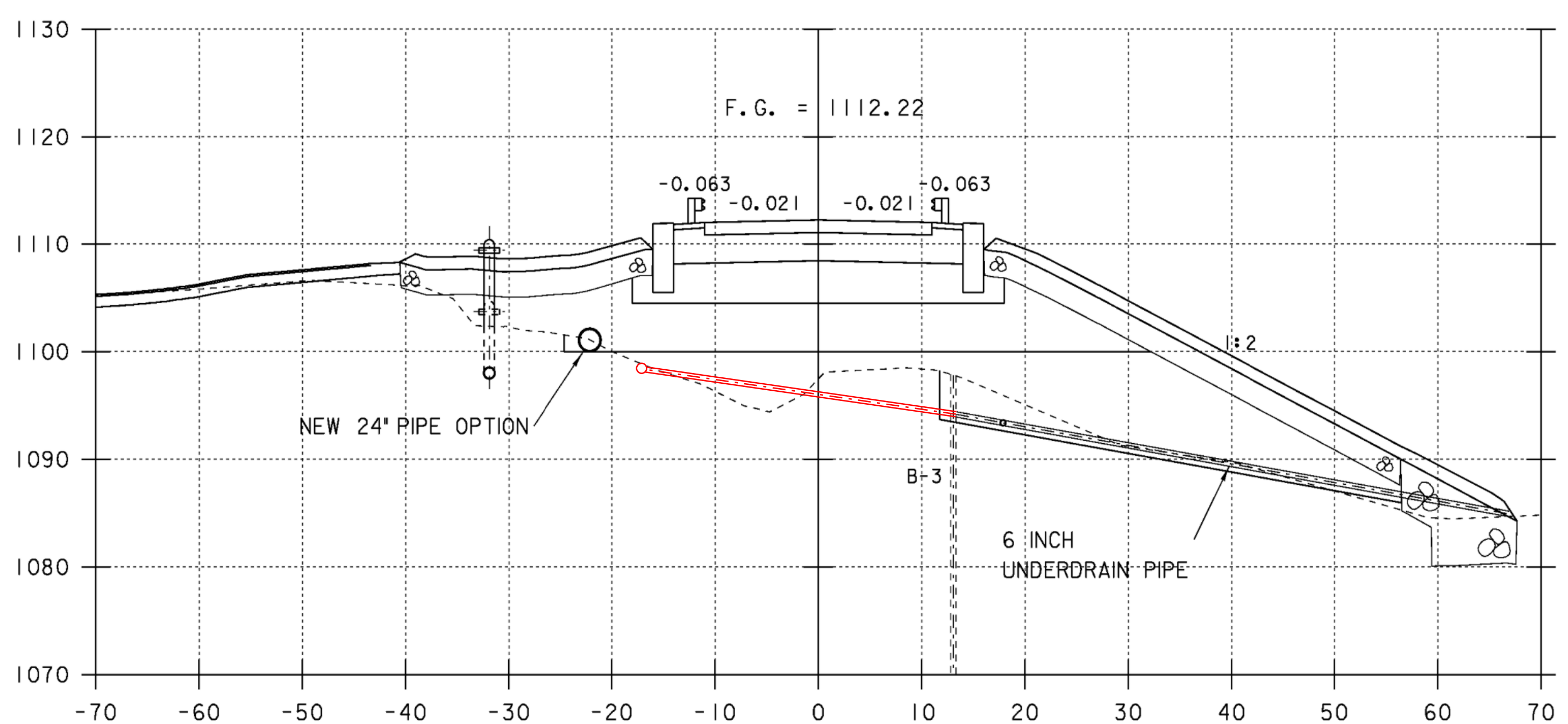


11+00



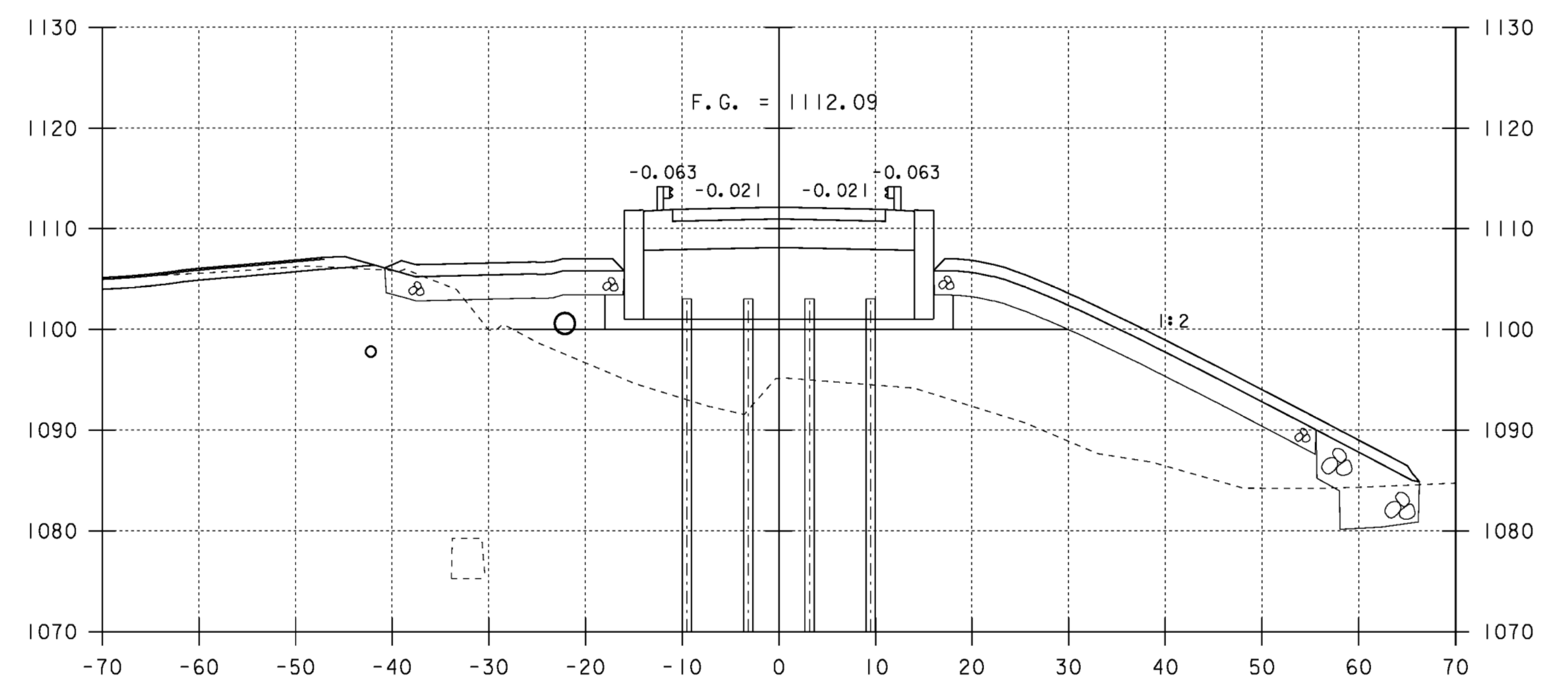
11+25



10+95

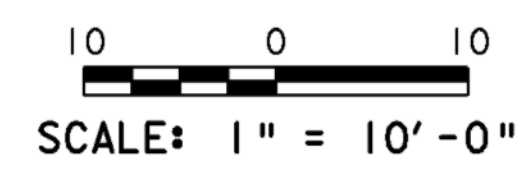
NEW HYDRANT
STA 10+95

10+87 TO 10+96
6 INCH UNDERDRAIN PIPE
FOR ARTESIAN BORE HOLE 3



11+01.17
11+01.17 BEGIN BRIDGE

ROADWAY CROSS SECTIONS 2



STA. 10+95 TO STA. 11+25

PROJECT NAME: BROWNINGTON	
PROJECT NUMBER: BRO 1449 (28)	
FILE NAME: sJ246m02.i	PLOT DATE: 19-DEC-2008
PROJECT LEADER: R. WHITCOMB	DRAWN BY: T. LACKEY
DESIGNED BY: T. LACKEY	CHECKED BY: R. WHITCOMB
99J246/str/sJ246xs.dgn	SHEET 43 OF 58