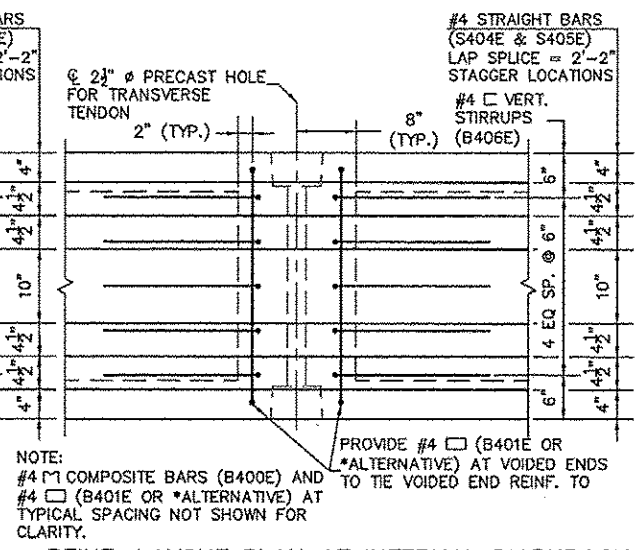
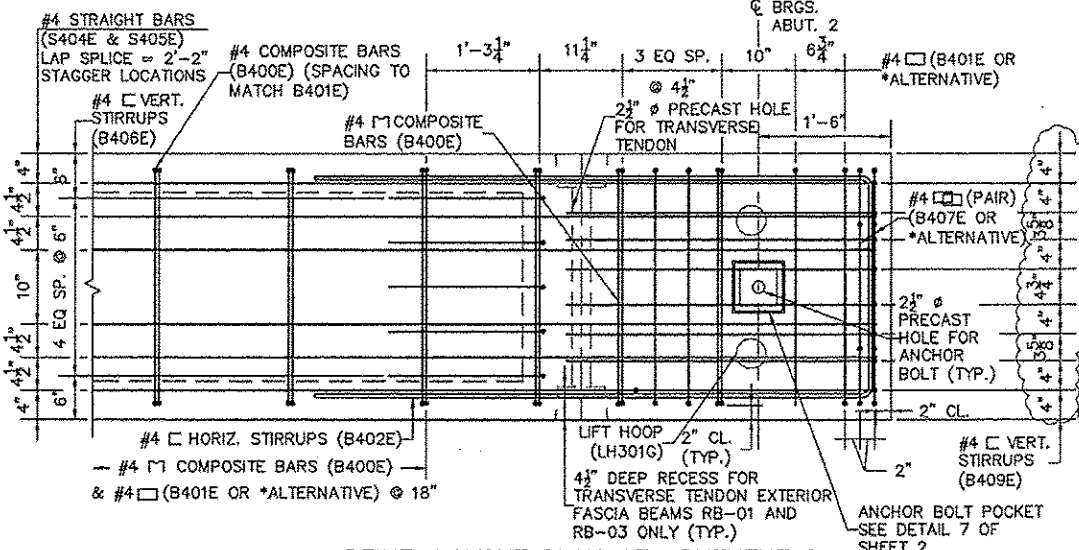


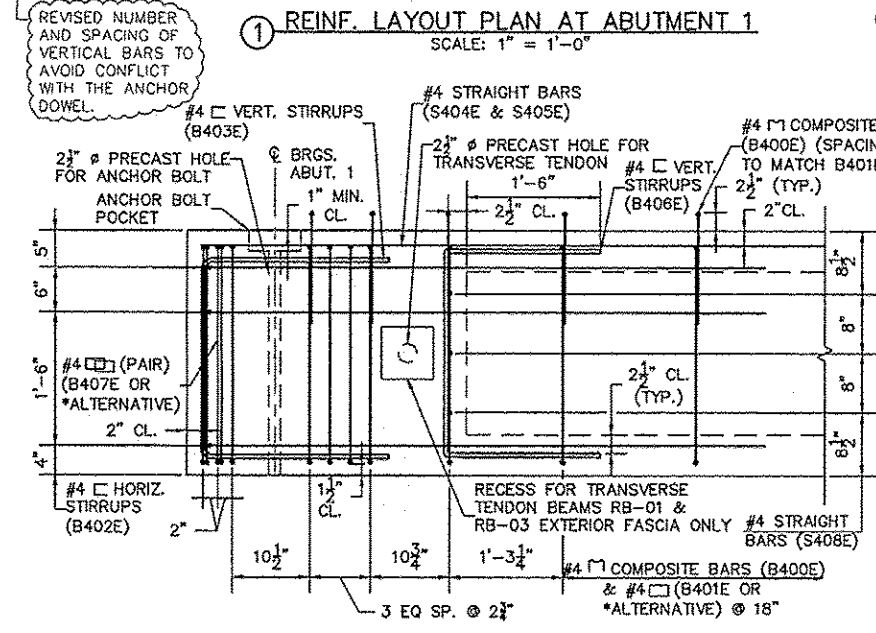
① REINF. LAYOUT PLAN AT ABUTMENT 1
SCALE: 1" = 1'-0"



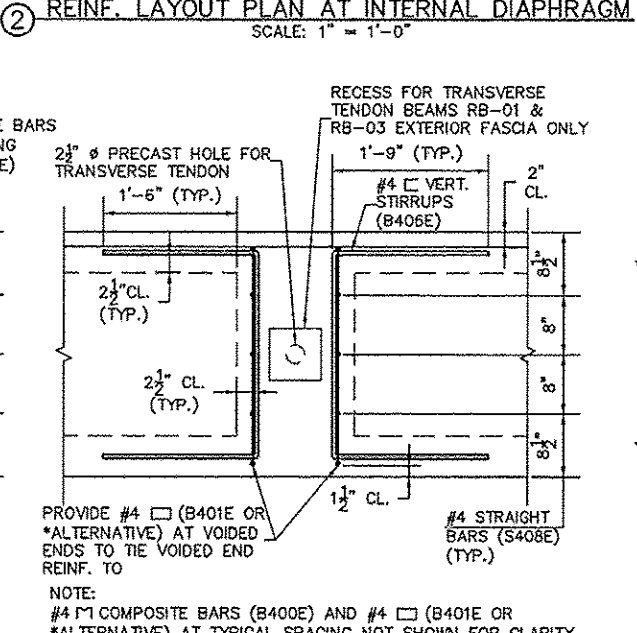
② REINF. LAYOUT PLAN AT INTERNAL DIAPHRAGM
SCALE: 1" = 1'-0"



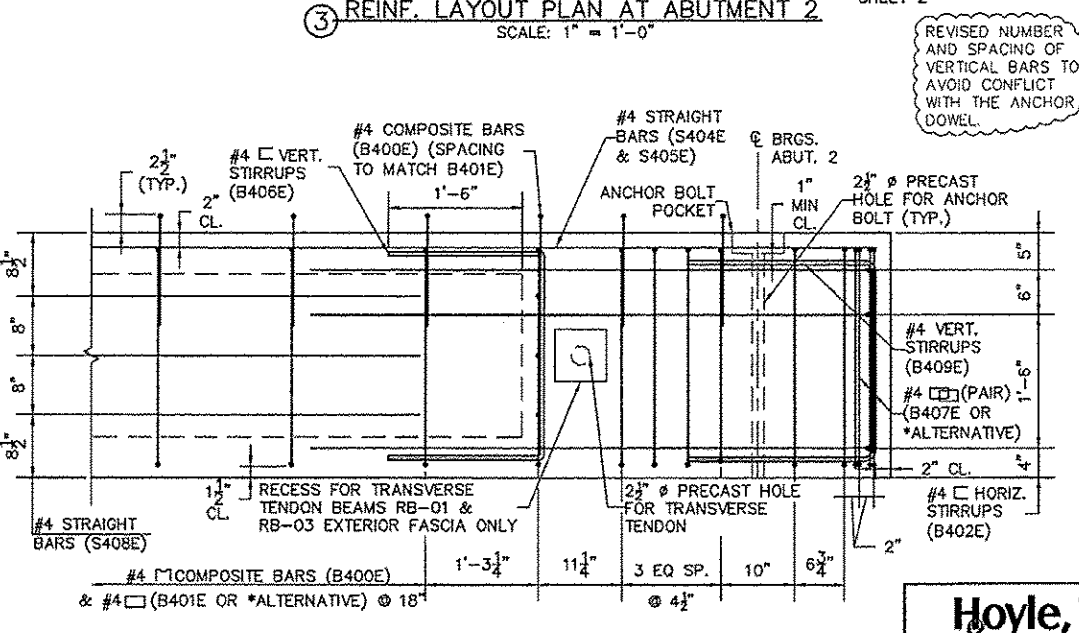
③ REINF. LAYOUT PLAN AT ABUTMENT 2
SCALE: 1" = 1'-0"



④ LONGITUDINAL SECTION AT ABUTMENT 1
SCALE: 1" = 1'-0"



⑤ LONGITUDINAL SECTION AT INTERNAL DIAPHRAGM
SCALE: 1" = 1'-0"



⑥ LONGITUDINAL SECTION AT ABUTMENT 2
SCALE: 1" = 1'-0"

REVISED NUMBER AND SPACING OF VERTICAL BARS TO AVOID CONFLICT WITH THE ANCHOR DOWEL.

REVISED NUMBER AND SPACING OF VERTICAL BARS TO AVOID CONFLICT WITH THE ANCHOR DOWEL.

NOTE: #4 COMPOSITE BARS (B400E) AND #4 (B401E OR *ALTERNATIVE) AT TYPICAL SPACING NOT SHOWN FOR CLARITY.

NOTE: #4 COMPOSITE BARS (B400E) AND #4 (B401E OR *ALTERNATIVE) AT TYPICAL SPACING NOT SHOWN FOR CLARITY.

| |
|---|
| Accepted ✓ |
| Accepted as Noted |
| Accepted Noted Resubmit |
| Rejected, Revise Resubmit |
| Rejected - Unacceptable |
| Checking is only for conformance with the design concept of the Project and compliance with the information given in the Contract Documents. The Engineer assumes no liability for errors or omissions that may be contained herein. The Contractor, by approving and submitting these documents, verifies their accuracy as stipulated on the Contractor's Shop Drawing Stamp. |
| DuBOIS AND KING |
| Date 7/2/10 By <i>[Signature]</i> |

Hoyle, Tanner & Associates, Inc.
 125 College Street, 4th Floor Burlington, VT 05401
 Tel (802)860-1331 Fax (802)860-8499 www.hoyletanner.com
 © Copyright 2010 Hoyle, Tanner & Associates, Inc.

DATE: JUNE 2010
 CHECKED BY: GHS PROJECT NO: 122426.75

W.E. DAILEY INC.
 PRECAST CONCRETE PRODUCTS
 TEL (802) 442-2418 FAX (802) 442-4719

STATE OF VERMONT AGENCY OF TRANSPORTATION
STOWE, VT
 MOSCOW ROAD (T.H. NO. 1) OVER MILLER BROOK BRIDGE #3
 PROJECT NO. BHO 1446(30)

SHEET 3 OF 5

043