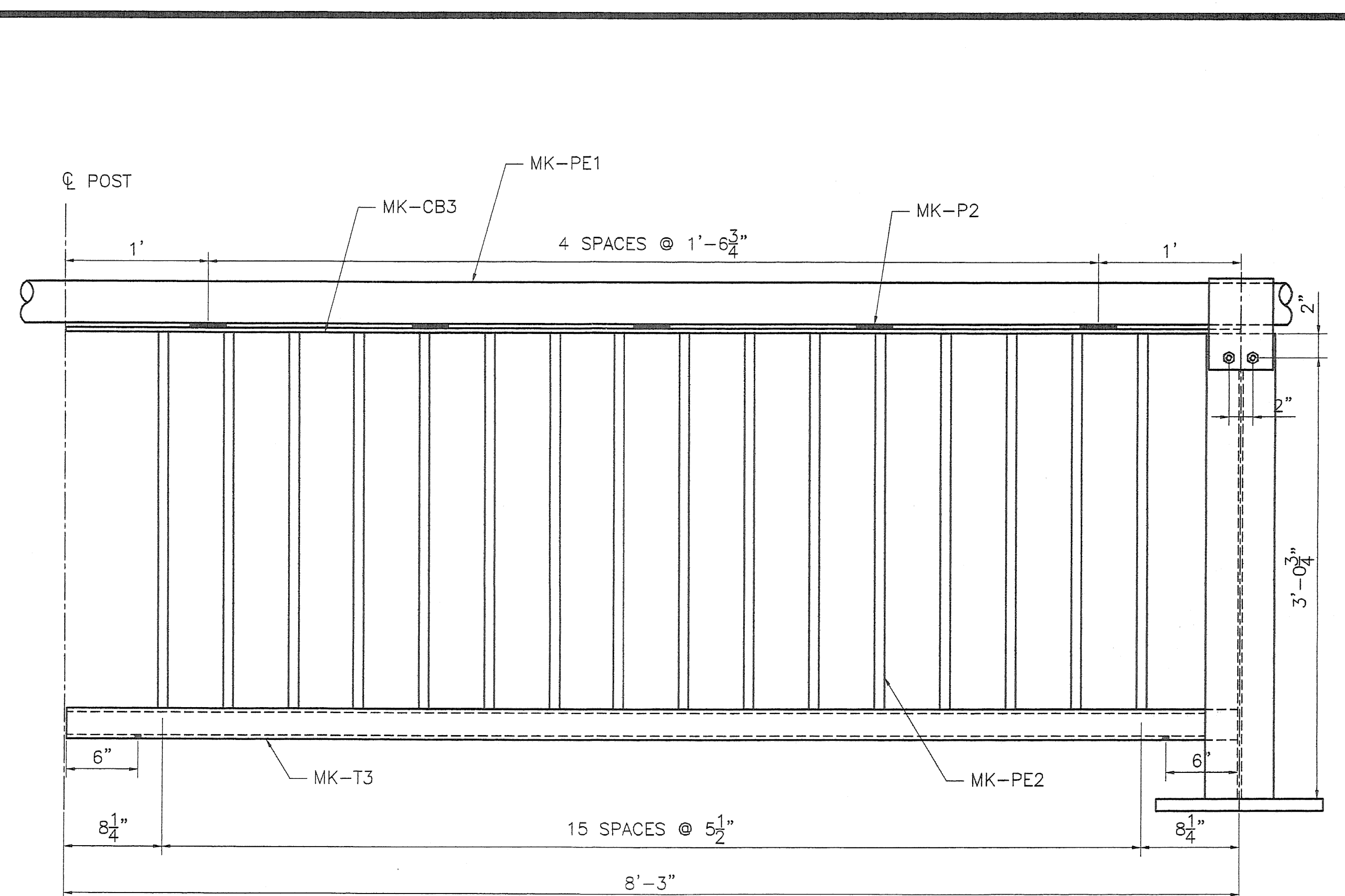
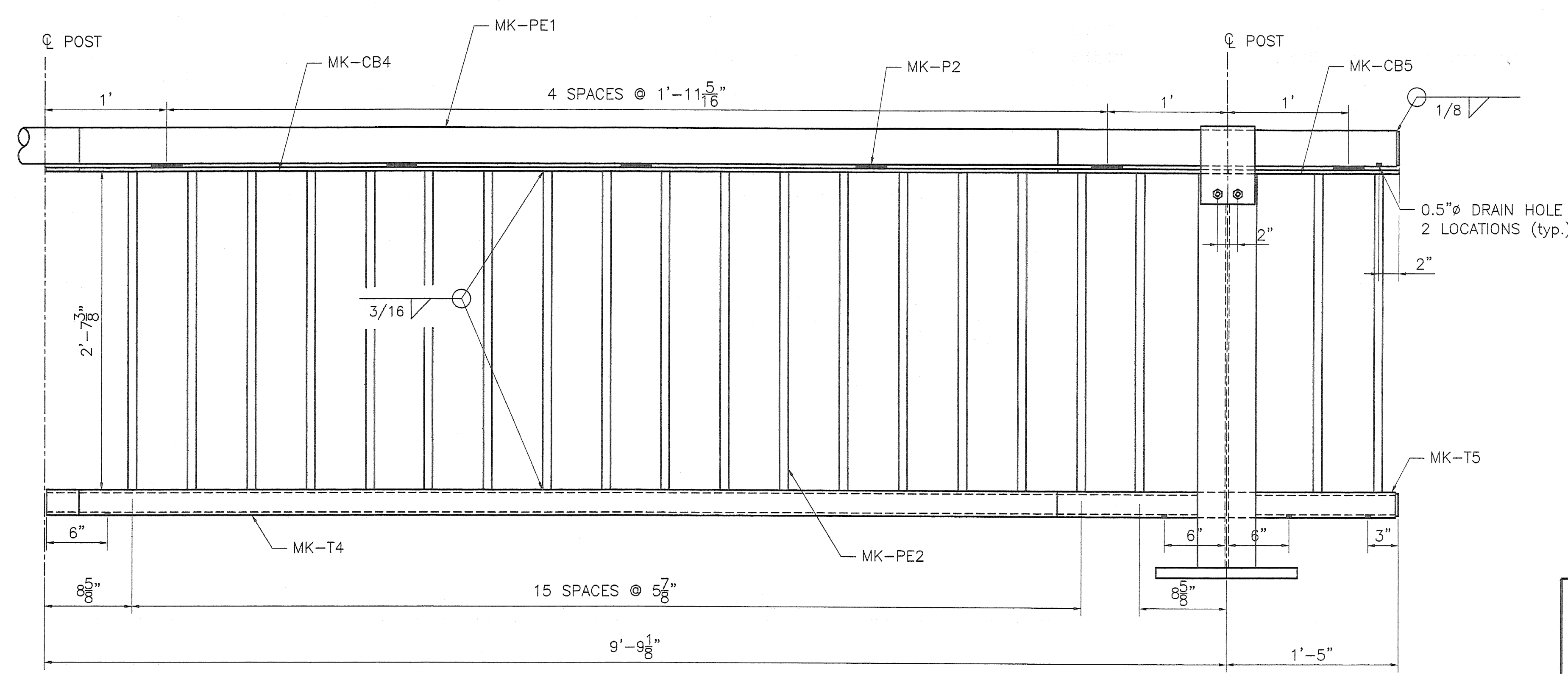


PCS1



PCS2



PCS3

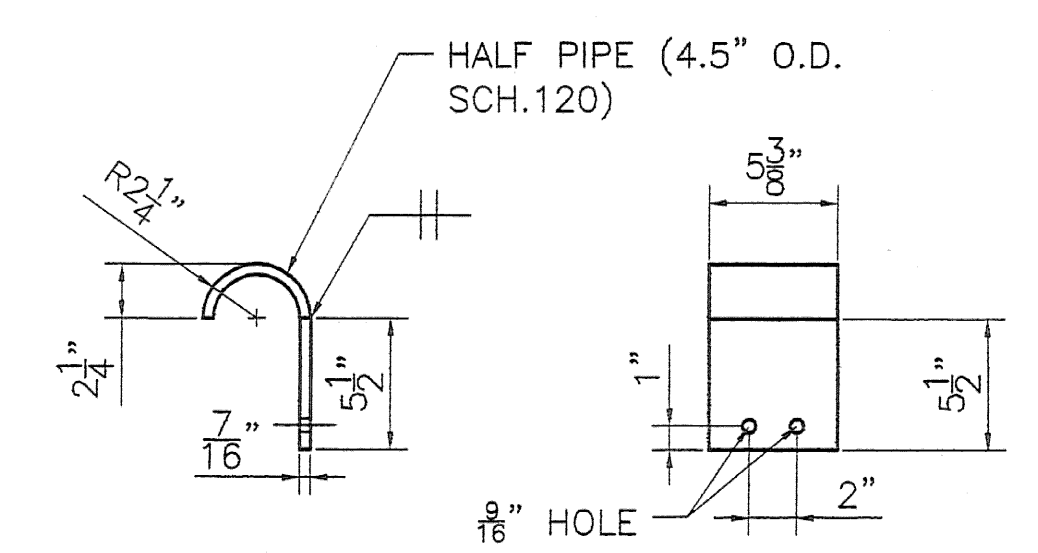
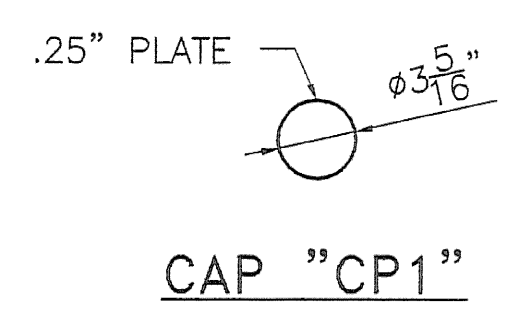
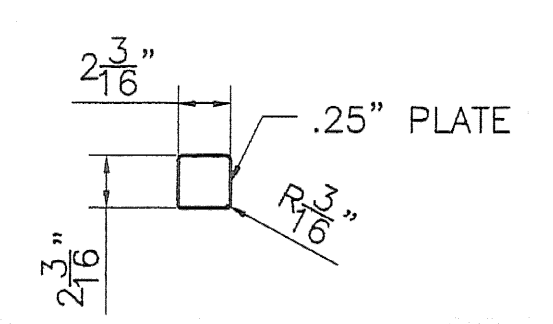


PLATE "P1"



CAP "CP1"



CAP "CP2"

REVISIONS		
No.	Remarks	Date
0	Initial submittal	

SHOP DRAWINGS ARE REVIEWED UNLESS NOTED OTHERWISE

NO EXCEPTION TAKEN	<input checked="" type="checkbox"/>
REVISE AS NOTED	<input type="checkbox"/>
RESUBMISSION REQUIRED	<input type="checkbox"/>
REVISE AS NOTED	<input type="checkbox"/>
RESUBMISSION REQUIRED	<input type="checkbox"/>
REJECTED	<input type="checkbox"/>

DATE: *7/22/08*

SIGNATURE: *Michael Christ*

REVIEW BY STATED IS FOR THE SOLE PURPOSE OF ASCERTAINING GENERAL CONFORMITY WITH DESIGN. CONTRACTOR IS RESPONSIBLE FOR DIMENSIONS, FABRICATION AND CONSTRUCTION METHODS, COORDINATION OF SUB TRADES, DETAIL DESIGN OF COMPONENTS, AND ERRORS OR OMISSIONS ON SHOP DRAWINGS.



HIGHWAY SAFETY CORP.
GLASTONBURY, CT

RAILING REPLACEMENT
RICHFORD, VERMONT

PROJECT NO. BHF 0302 (3) S

DRAWN	MHM
CHECKED	<i>P Radice</i>
DATE	7/22/08
SCALE	N.T.S.
HSC REFERENCE NO.	1658
GENERAL CONTRACTOR	
SUB CONTRACTOR	F.R. LAFAYETTE
SIZE	D
REVISION	0
SHEET NO.	2 of 2