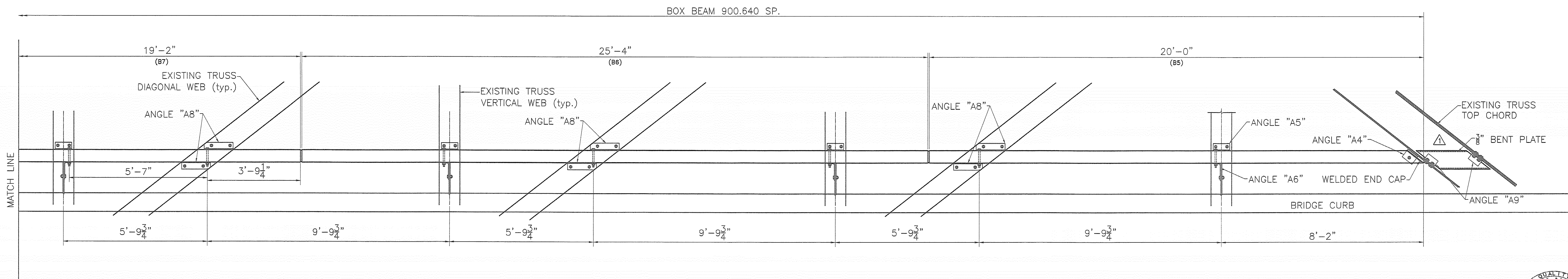
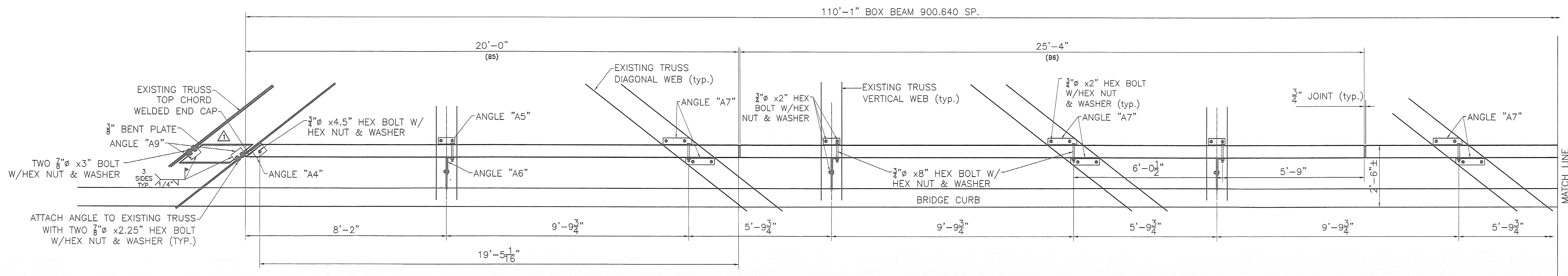


BILL OF MATERIAL					
Mk.	Qty.	Description	Size/Shape	Length/Qty. per unit	Material
A4	4	CONNECTION ANGLE	L5x3.5x.375	6"	M270 Gr. 36
A5	14	CONNECTION ANGLE	L5x3.5x.375	8"	M270 Gr. 36
A6	14	CONNECTION ANGLE	L5x3.5x.375	4"	M270 Gr. 36
A7	12	CONNECTION ANGLE	L5x3.5x.375	14"	M270 Gr. 36
A8	12	CONNECTION ANGLE	L5x3.5x.375	14"	M270 Gr. 36
A9	8	CONNECTION ANGLE	L3.5x3.5x.375	6"	M270 Gr. 36
B5	4	END TUBE W/WELDED CAP	TS 6x3x.375"	20'-0"	A500 Gr. B
B6	4	TUBE	TS 6x3x.375"	25'-4"	A500 Gr. B
B7	2	TUBE	TS 6x3x.375"	19'-2"	A500 Gr. B
	8	SPLICE TUBE W/2 WELDED NUTS	TS 5x2x.313"	1'-8"	A500 Gr. B
	32	SPLICE HEX BOLT W/WASHER	.625" DIA.	1.75"	A307
	4	HEX BOLT W/HEX NUT & WASHER	.75" DIA.	4.5"	A307
	26	HEX BOLT W/HEX NUT & WASHER	.75" DIA.	8"	A307
	88	HEX BOLT W/HEX NUT & WASHER	.75" DIA.	2"	A307
	8	HEX BOLT W/HEX NUT & WASHER	.875" DIA.	2.25"	A325
	8	HEX BOLT W/HEX NUT & WASHER	.875" DIA.	3"	A325



- NOTES:
- BOX BEAM SHALL BE SHOP PAINTED IN ACCORDANCE WITH VT DOT SEC. 513 COLOR 14062.
 - ALL WORK AND MATERIAL SHALL CONFORM TO SECTION 525.
 - ALL BRIDGE RAIL CONNECTION HARDWARE SHALL BE INCIDENTAL TO ITEM 900.640 SPECIAL PROVISION (BRIDGE RAILING, TRUSS).
 - TUBING SHALL MEET THE REQUIREMENTS OF SUBSECTION 732.03. ALL OTHER SHAPES AND PLATES SHALL BE AASHTO M 270M/M 270 GRADE 36.
 - ALL EXPOSED CUT OR SHEARED EDGES SHALL BE ROUNDED TO $\frac{1}{16}$ " RADIUS AND BE FREE OF BURRS.
 - SECTIONS OF BRIDGE RAIL SHALL BE ATTACHED TO A MINIMUM OF TWO (2) TRUSS MEMBERS.
 - ANY BENDING OF BRIDGE RAIL SHALL BE BY SHOP PROCEDURE ONLY.
 - ALL HOLES FOR CONNECTING ANGLES TO BRIDGE TUBES WILL BE SHOP DRILLED.

WEST RAIL ELEVATION
EAST ELEVATION SIMILAR

REVISIONS		
No.	Remarks	Date
0	Initial submittal	9-16-08
1	Per engineer's comments	10-6-08
2	As built changes	10-15-08



HIGHWAY SAFETY CORP.
GLASTONBURY, CT

RAILING REPLACEMENT
ITEM 900.640 SPECIAL PROVISION
RICHFORD, VERMONT
PROJECT NO. BHF 0302 (3) S

GENERAL CONTRACTOR: F.R. LAFAYETTE

SCALE: N.T.S.
SHEET NO. 3 of 4

DATE: 7/30/08
DRAWN: MHM
CHECKED: P Radice
REVISION: 2