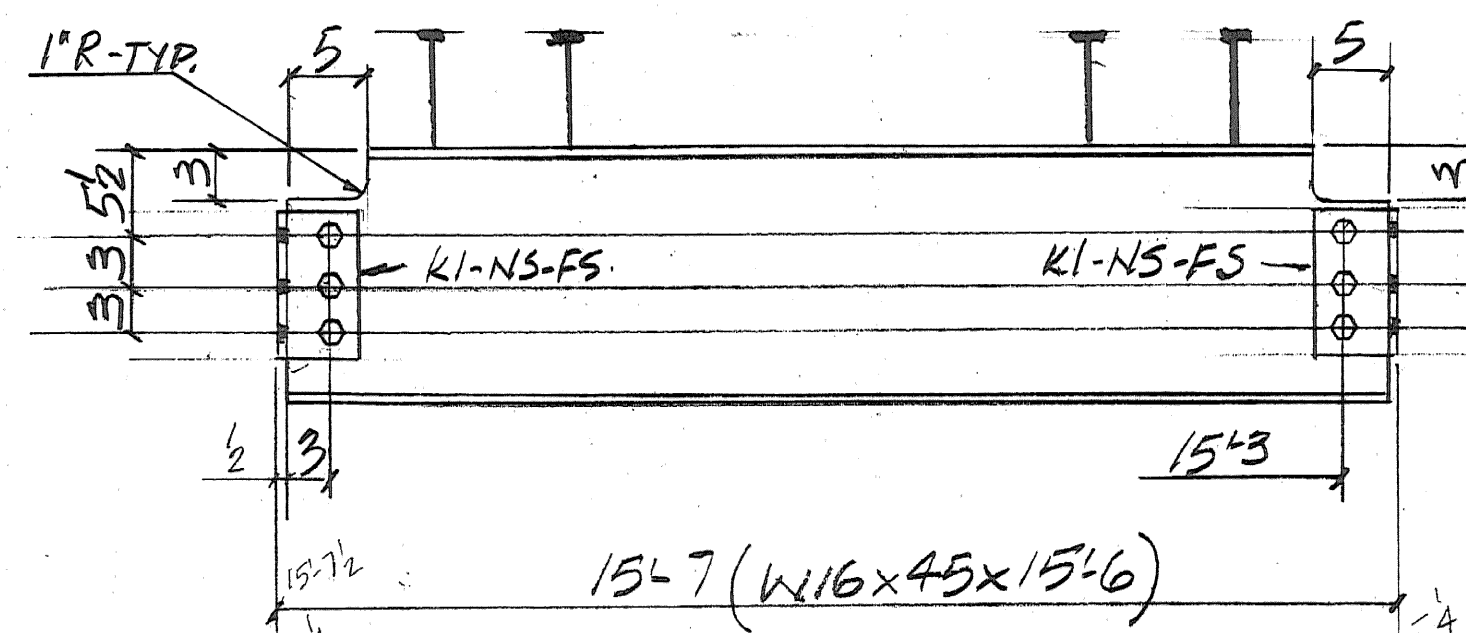
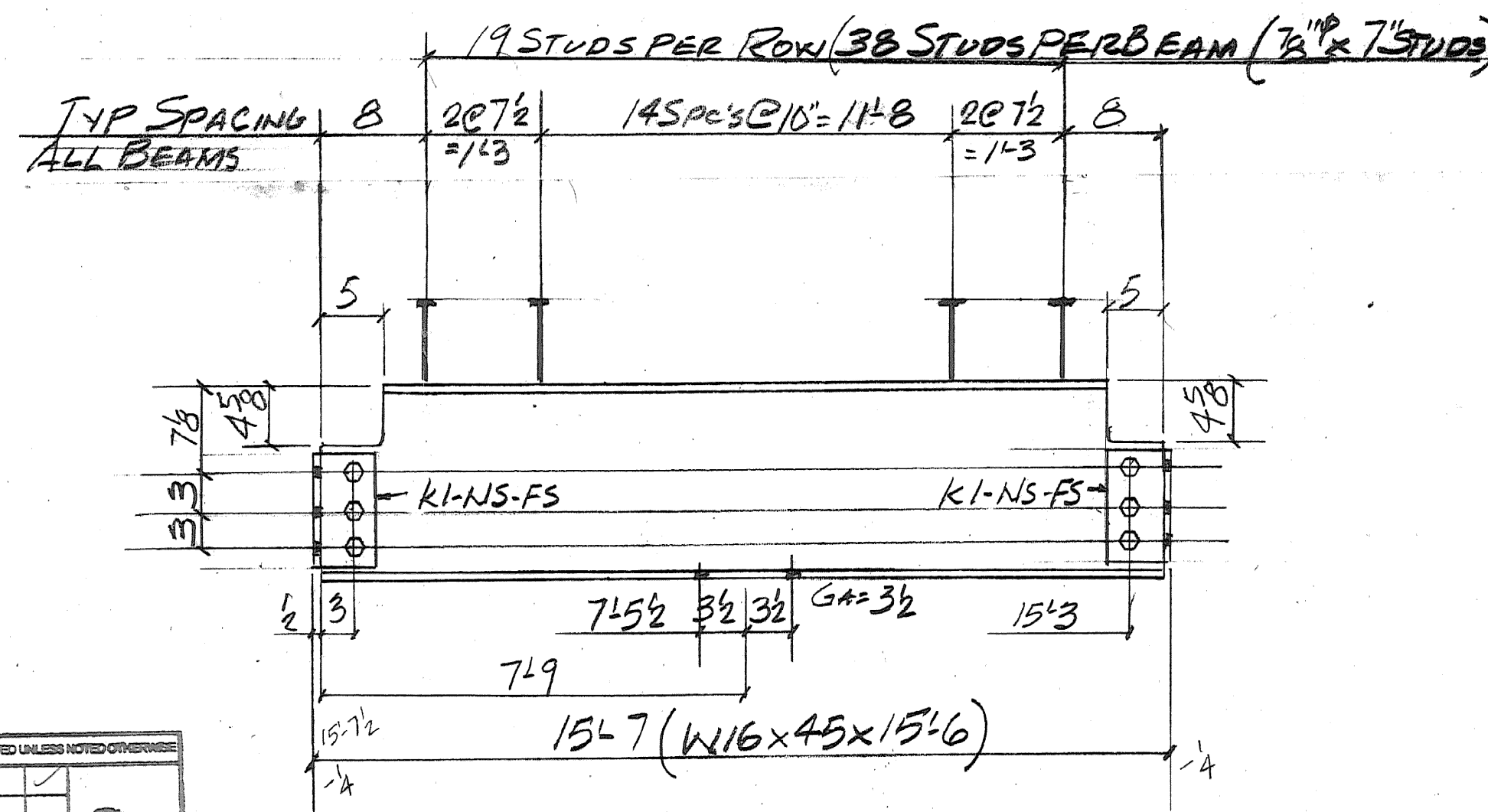


STRINGERS-511-521-531-541-551-561-571-581  
 515-525-535-545-555-565-575-585  
 MAKE ONE OF EACH



STRINGERS-512-522-532-542-552-562-572-582  
 514-524-534-544-554-564-574-584  
 MAKE ONE OF EACH



STRINGERS-513-523-533-543-553-563-573-583  
 MAKE ONE OF EACH

SHOP DRAWINGS ARE REVIEWED UNLESS NOTED OTHERWISE  
 NO EXCEPTION TAKEN  
 REVISE AS NOTED  
 PERMISSION NOT REV. NOTED  
 REVISE AS NOTED  
 PERMISSION NOT REV. NOTED  
 REVISED  
 DATE 4/23/08  
 SIGNATURE: *Medical Abbott*  
 REVIEW BY: \_\_\_\_\_ PURPOSE: \_\_\_\_\_  
 OF CERTAIN: \_\_\_\_\_ VERIFY WITH: \_\_\_\_\_  
 DESIGN: \_\_\_\_\_ CONTROL: \_\_\_\_\_ INSURE FOR: \_\_\_\_\_  
 METHODS: \_\_\_\_\_ FABRICATION: \_\_\_\_\_ CONSTRUCTION: \_\_\_\_\_  
 DETAIL: \_\_\_\_\_ DESIGN OF COMPONENTS: \_\_\_\_\_ AND ERRORS: \_\_\_\_\_  
 OR OMISSIONS ON SHOP DRAWINGS

Per Blow & Cote, Inc., all circled dimensions have been verified and they have released to fabricate using these dimensions. If all verification of existing holes for W27 and existing plates and angles can be verified prior to fabrication Casco Bay Steel Structures will shop drill. If not, Blow & Cote will field drill these holes.

ABM INFO		SHOP BILL				JOB NO.	DRG. NO.
PAGE	LINE	NO.	DESCRIPTION	FT	IN	361	53
	1		W16x45	15	6		
						511	
						521	
						531	
						541	
						551	
						561	
						571	
						581	
						515	
						525	
						535	
						545	
						555	
						565	
						575	
						585	
						512	
						522	
						532	
						542	
						552	
						562	
						572	
						582	
						514	
						524	
						534	
						544	
						554	
						564	
						574	
						584	
						513	
						523	
						533	
						543	
						553	
						563	
						573	
						583	
			W16x45	15	6		
			150 3/4\"/>				

PHY ITEM 506.50

OUT FOR APPROVAL	3/19/08
OUT FOR APPROVAL	4/17/08
ISSUED TO SHOP	
FIELD & OFFICE	

1 ADDED STUDS 4-16-08 JPF

REV.	REMARKS	DATE	DWN	CHK	APP	Q.A.	NO.	DIA.	LGT	TYPE	WASHER

PROJECT NO. BHF-0302(3) 5 STATE PROJECT NO.

MATERIAL: <sup>ASTM</sup> A325-TC BOLTS ELECTRODES: — HOLES: 1/8\"/>

SURFACE PREP. & PAINT: SHERWIN WILLIAMS-CORDTHANE 1 GALVAPAC ONE PACK ZINC PRIMER 3.5 TO 4 MILS DFT

DESCRIPTION: STRINGER DETAILS	DRAWN BY	DATE
JOB: IMPROVEMENTS BRIDGE No.41 ON TH No.2 RICHFORD, VT.	JPF	3-08
	CHKD BY	
	APPROV BY	
	Q.A.	

CUSTOMER: BLOW & COTE INC.

**CASCO BAY STEEL STRUCTURES, INC.** JOB NO. 361 DRG. NO. 53  
 75 SPRING HILL ROAD SACO, MAINE 04072  
 PHONE (207) 282-7360 FAX (207) 282-1179