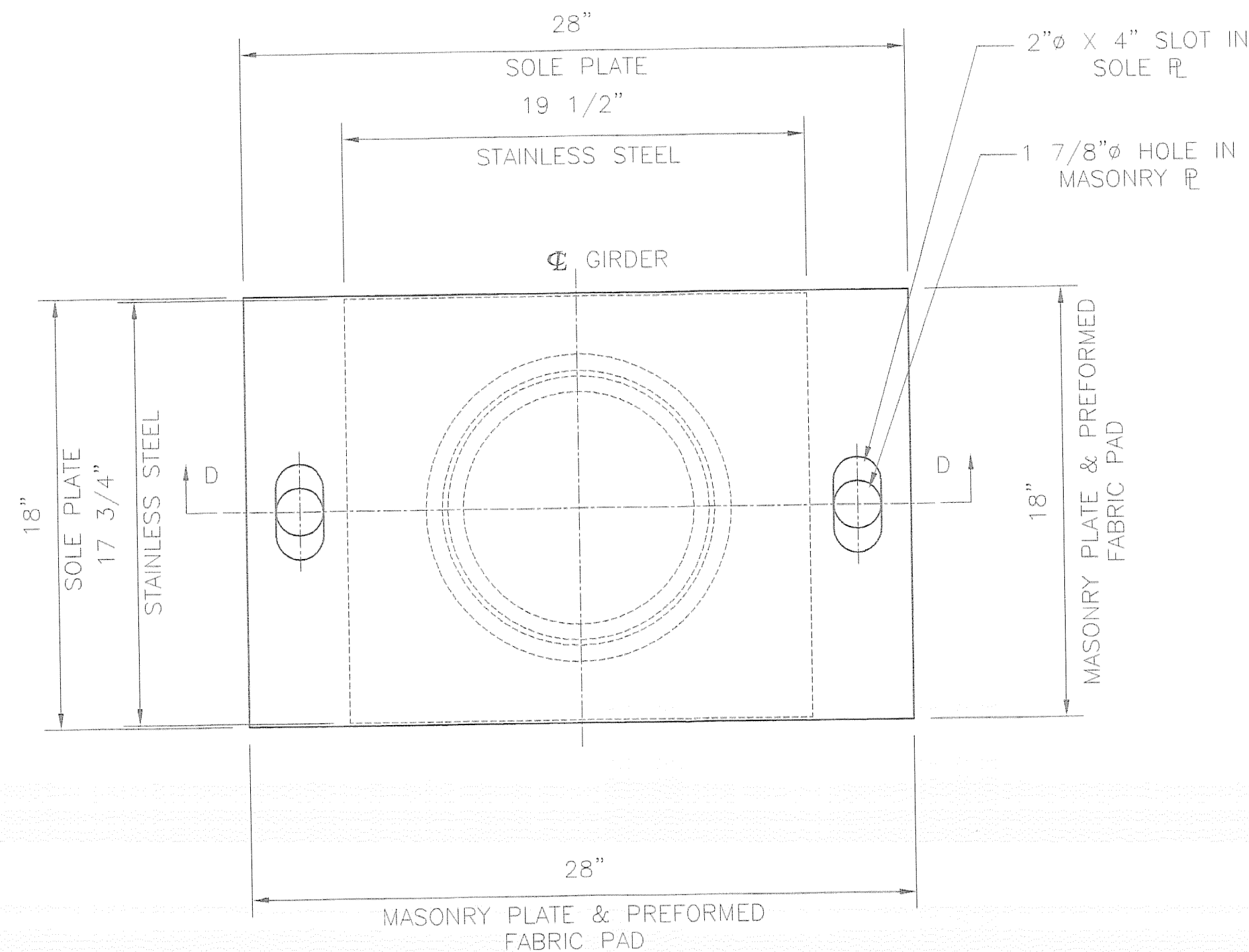
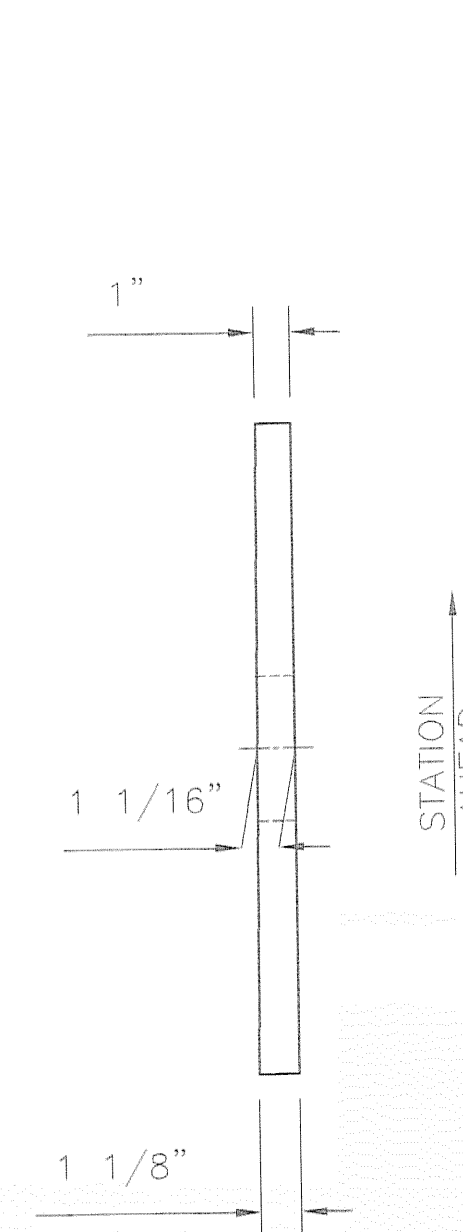


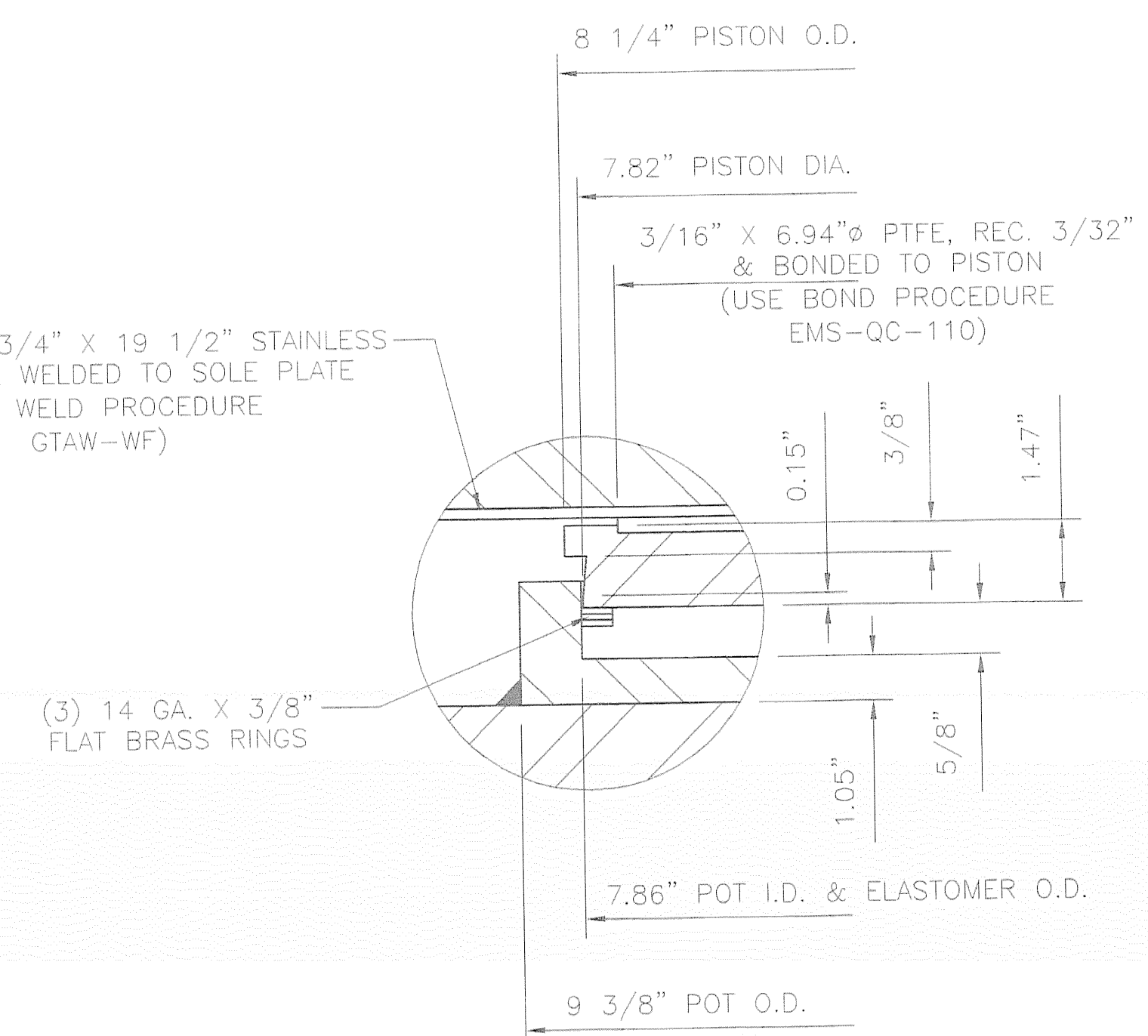
PLAN



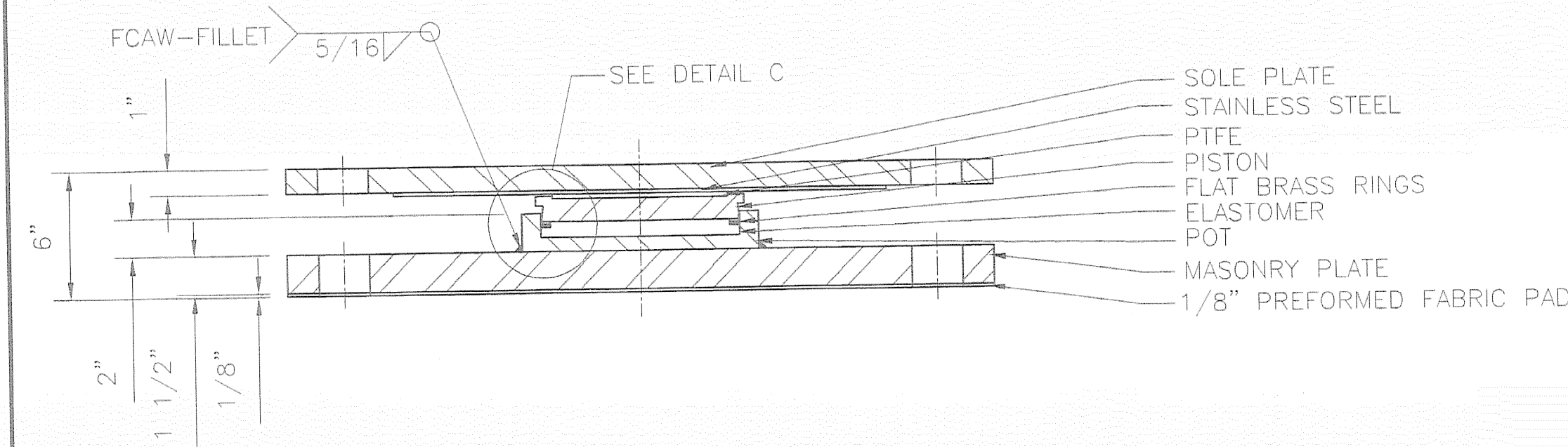
PLAN



SIDE ELEVATION



DETAIL C
N.T.S.



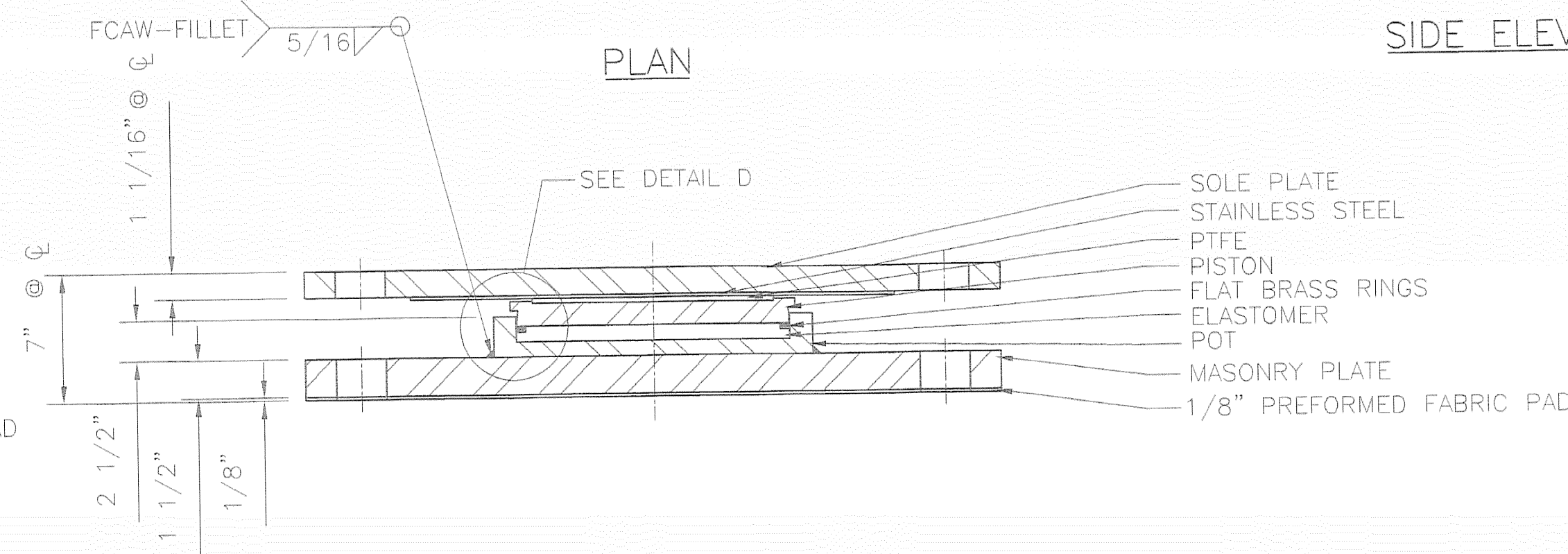
SECTION C - C

COSMEC NON-GUIDED EXPANSION POT BEARING

QUANTITY: 2
 LOCATION: ABUTMENT 1, GIRDERS 1 & 4
 VERTICAL LOAD CAPACITY: 170 KIPS
 TRANSVERSE LOAD CAPACITY: N/A
 LONGITUDINAL LOAD CAPACITY: N/A
 MOVEMENT CAPACITY: 2 1/2"
 ROTATION CAPACITY: .020 RADIAN

BEARING NOTES

- ALL MATERIALS USED IN THE FABRICATION OF THESE BEARINGS SHALL BE MADE IN THE U.S.A.
- BEARINGS ARE TO BE SHIPPED AS COMPLETE UNITS, STEEL BANDED, AND SHALL BE WRAPPED TO PROTECT FROM MOISTURE AND DIRT DURING TRANSIT AND STORAGE.
- LOCATION OF FABRICATION PLANT - 70 SOUTH STREET WALPOLE, MA 02081
- COSMEC, INC. REPRESENTATIVE - MR. MATT McANDREWS (508) 668-6600
- BEARINGS SHALL BE STORED IN A CLEAN, DRY, LEVEL UPRIGHT POSITION.
- BEARINGS MUST NOT BE DISASSEMBLED
- PROTECT PTFE & S.S. SURFACES FROM DIRT, WELD SPATTER, & ANY OTHER FOREIGN SUBSTANCES.



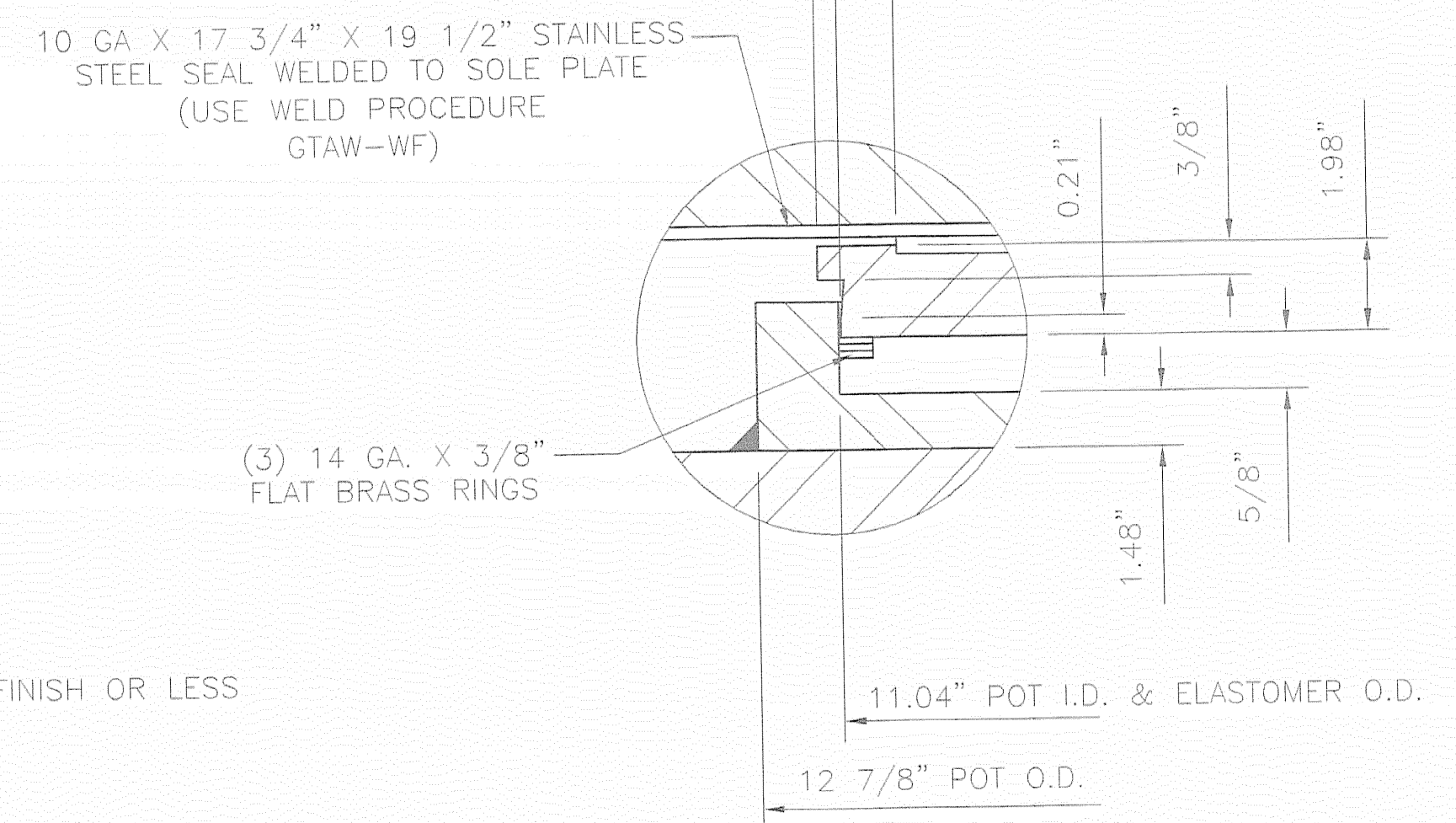
SECTION D - D

COSMEC NON-GUIDED EXPANSION POT BEARING

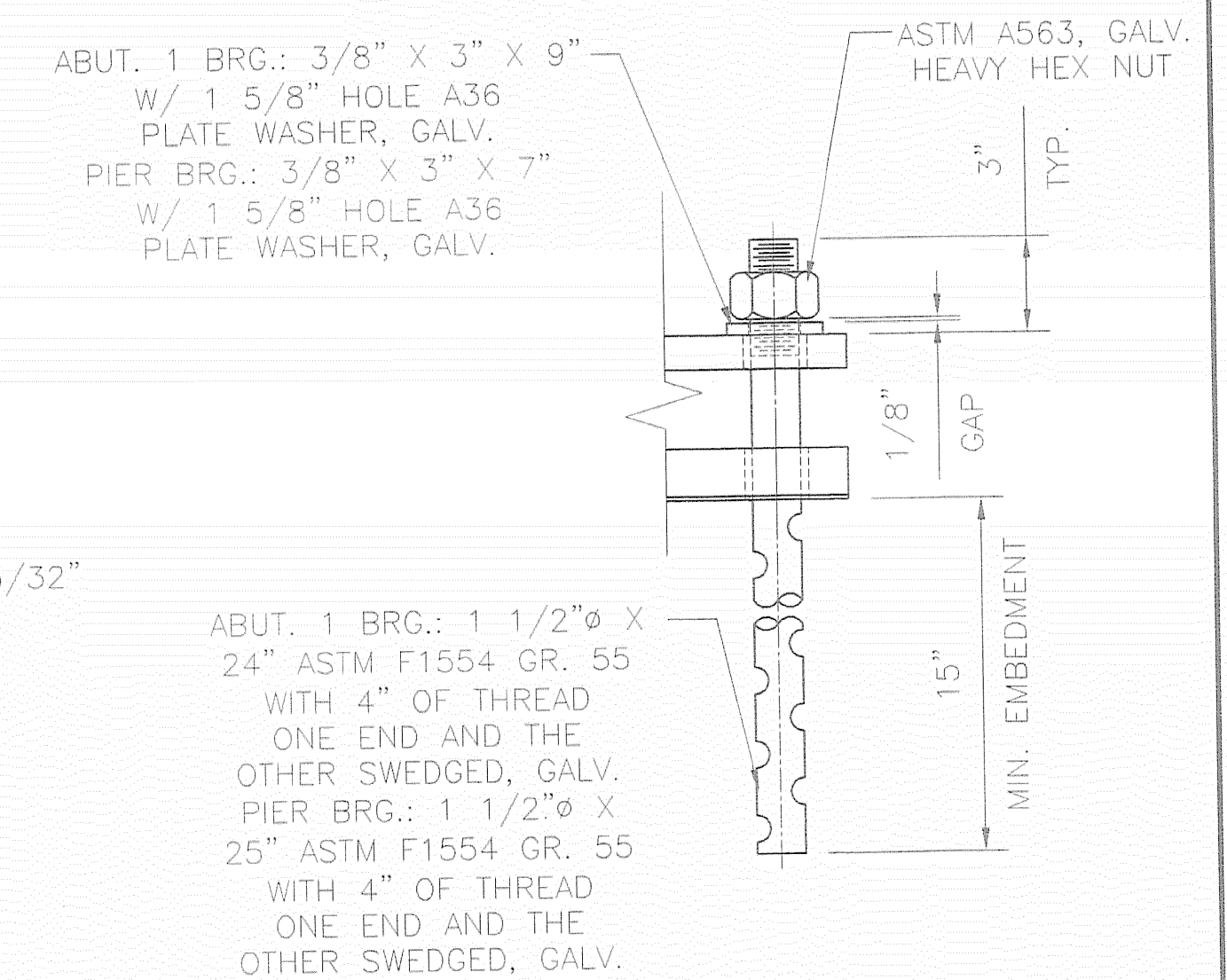
QUANTITY: 2
 LOCATION: PIER, GIRDERS 1 & 4
 VERTICAL LOAD CAPACITY: 335 KIPS
 TRANSVERSE LOAD CAPACITY: N/A
 LONGITUDINAL LOAD CAPACITY: N/A
 MOVEMENT CAPACITY: 1 1/2"
 ROTATION CAPACITY: .015 RADIAN

MATERIALS

STEEL - ASTM A709 GRADE 36, ZINC METALLIZED
 STAINLESS STEEL - ASTM A240 TYPE 304, WITH 20 RMS FINISH OR LESS
 PREFORMED FABRIC PAD - AASHTO DIV. II SPEC. 18.4.9.1
 ANCHOR BOLTS - SEE ANCHOR BOLT DETAIL
 PTFE - ASTM D.4894 VIRGIN UNFILLED
 ELASTOMER - AASHTO SHORE A DUROMETER 50 ± 5 DUROMETER
 BRASS SEALING RINGS - ASTM B.36 HALF HARD



DETAIL D
N.T.S.



ANCHOR BOLT DETAIL

VERMONT
 AGENCY OF TRANSPORTATION
 HUNTINGTON
 PROJECT BRO 1445(29)
 EAST STREET (T.H.#4) OVER
 HUNTINGTON RIVER
 BRIDGE NO. 42

COSMEC, INC.		70 SOUTH STREET WALPOLE, MA 02081	
SCALE: 3/16"=1"	DRAWN BY: MRR	CHECKED BY: MCM	
DATE: 11/16/06	DATE: 11/16/06	DATE: 12/8/06	
COSMEC POT BEARINGS			
CUSTOMER PARENT CONSTRUCTION INC.	S.O. NUMBER 60630	DRAWING NUMBER 5058	REV.

REV.	BY	DATE	CHK'D	DATE