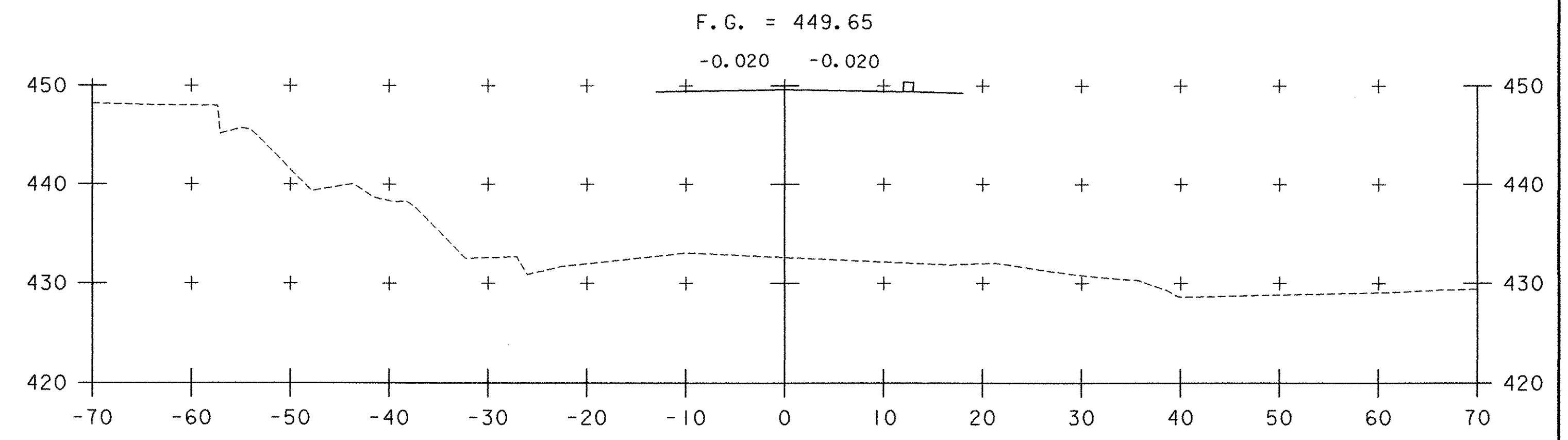
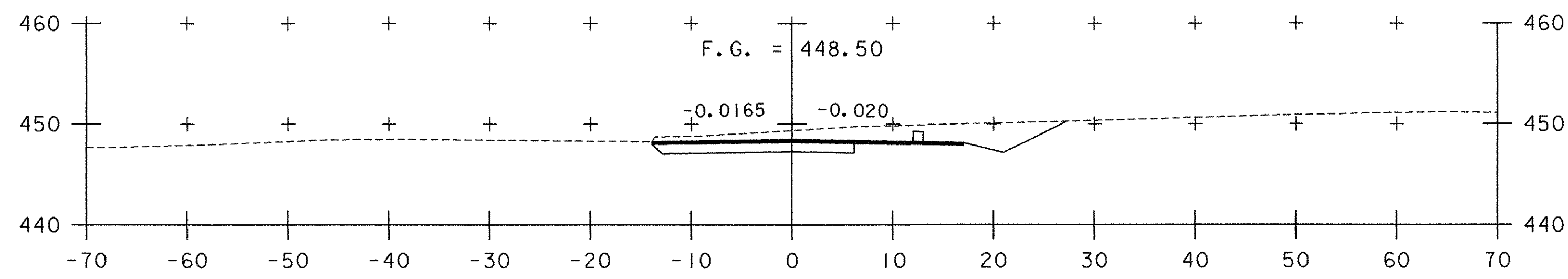


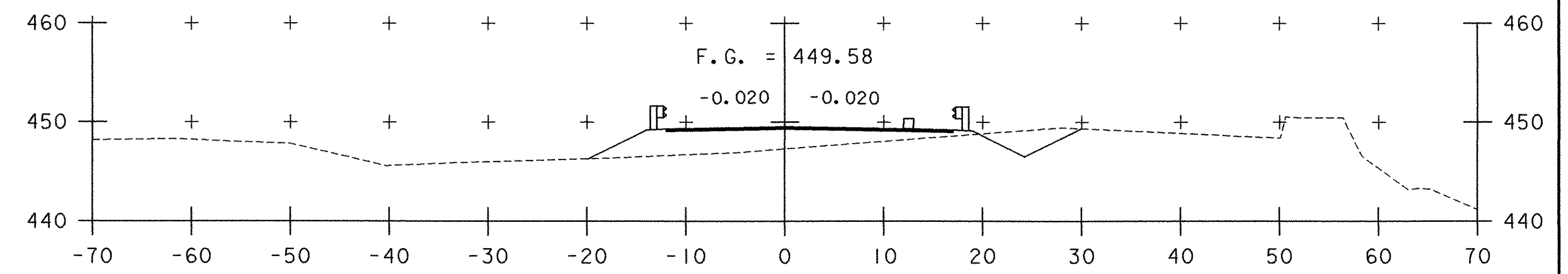
102+75



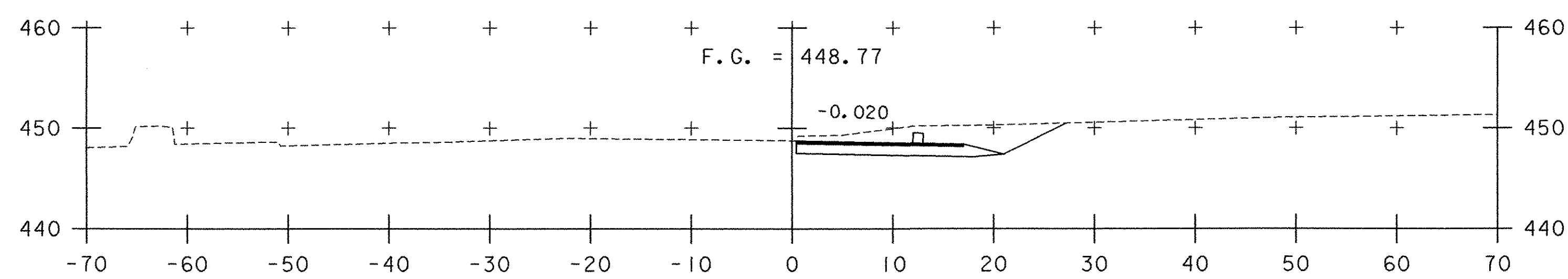
103+75



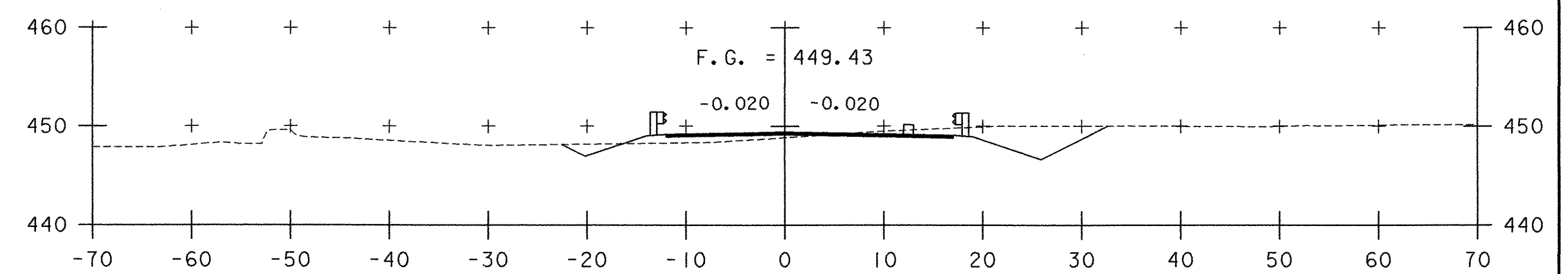
102+50



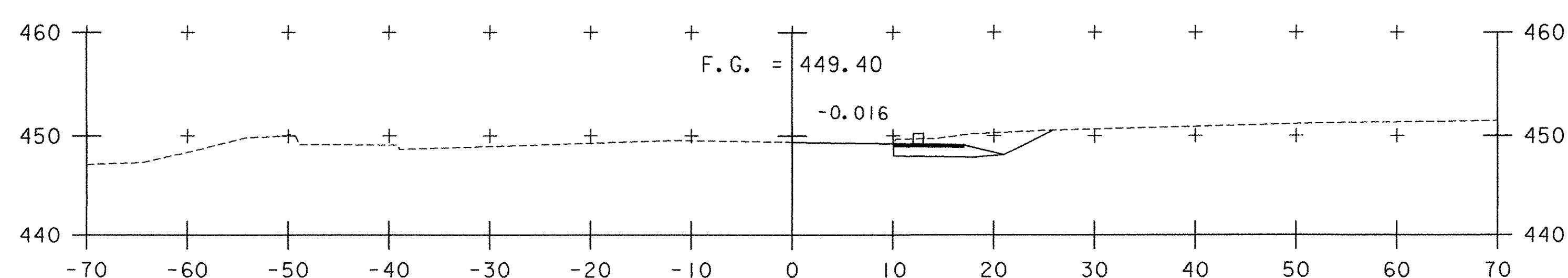
103+50



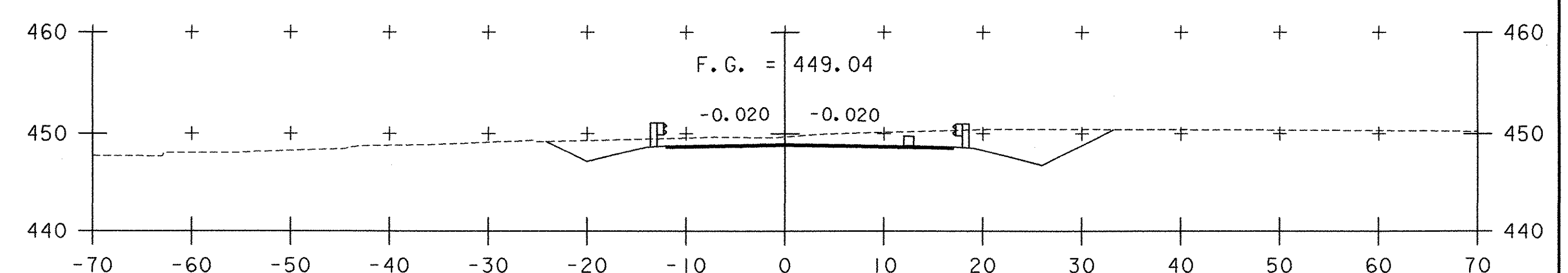
102+25



103+25



102+00



103+00

STA. 102+00 TO STA. 103+75



PROJECT NAME:	RICHFORD
PROJECT NUMBER:	BHF 0302 (3) S
FILE NAME:	...Structures\Design\Rich-xsl.dwg
PROJECT LEADER:	MJC
DESIGNED BY:	SEB
DETOUR CROSS SECTIONS - 1	
PRINT DATE:	12/18/2007
DRAWN BY:	
CHECKED BY:	MJC
SHEET	39 OF 41