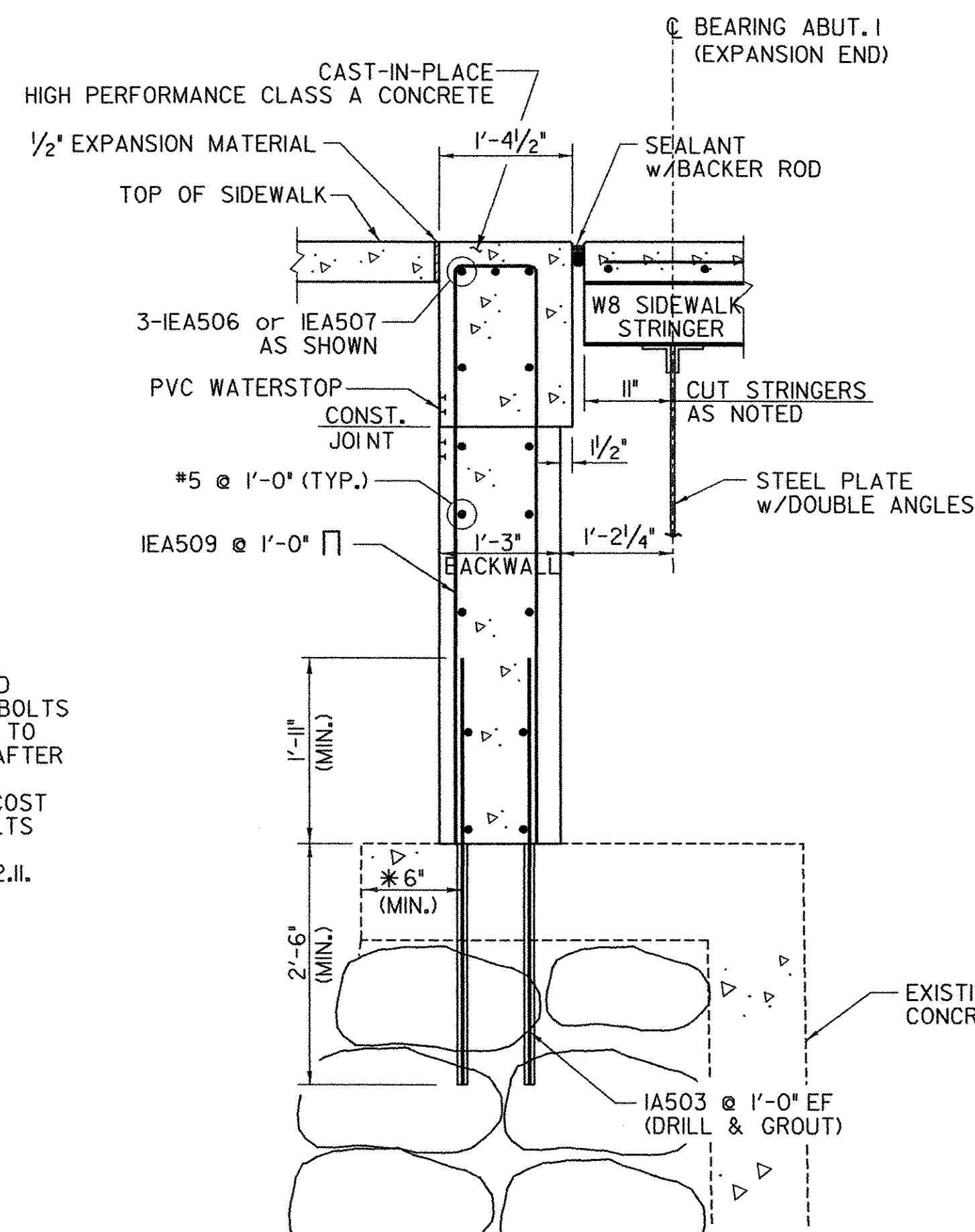
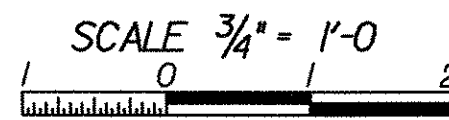
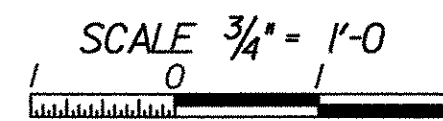


NOTE: BOTTOM CHORD AT TRUSS NOT SHOWN FOR CLARITY.

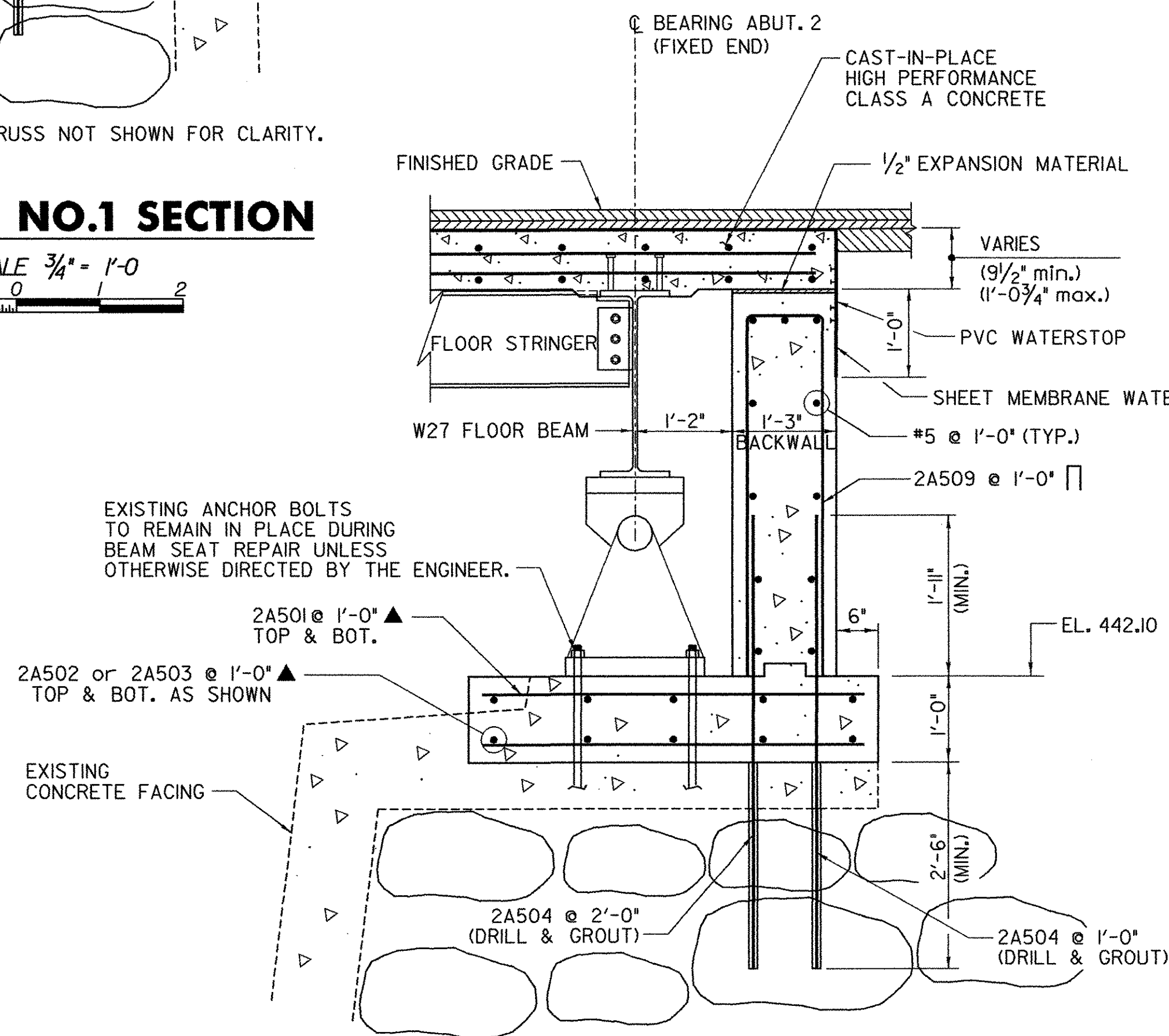
**ABUTMENT NO.1 SECTION**



**SECTION THRU SIDEWALK AT ABUTMENT NO. 1**

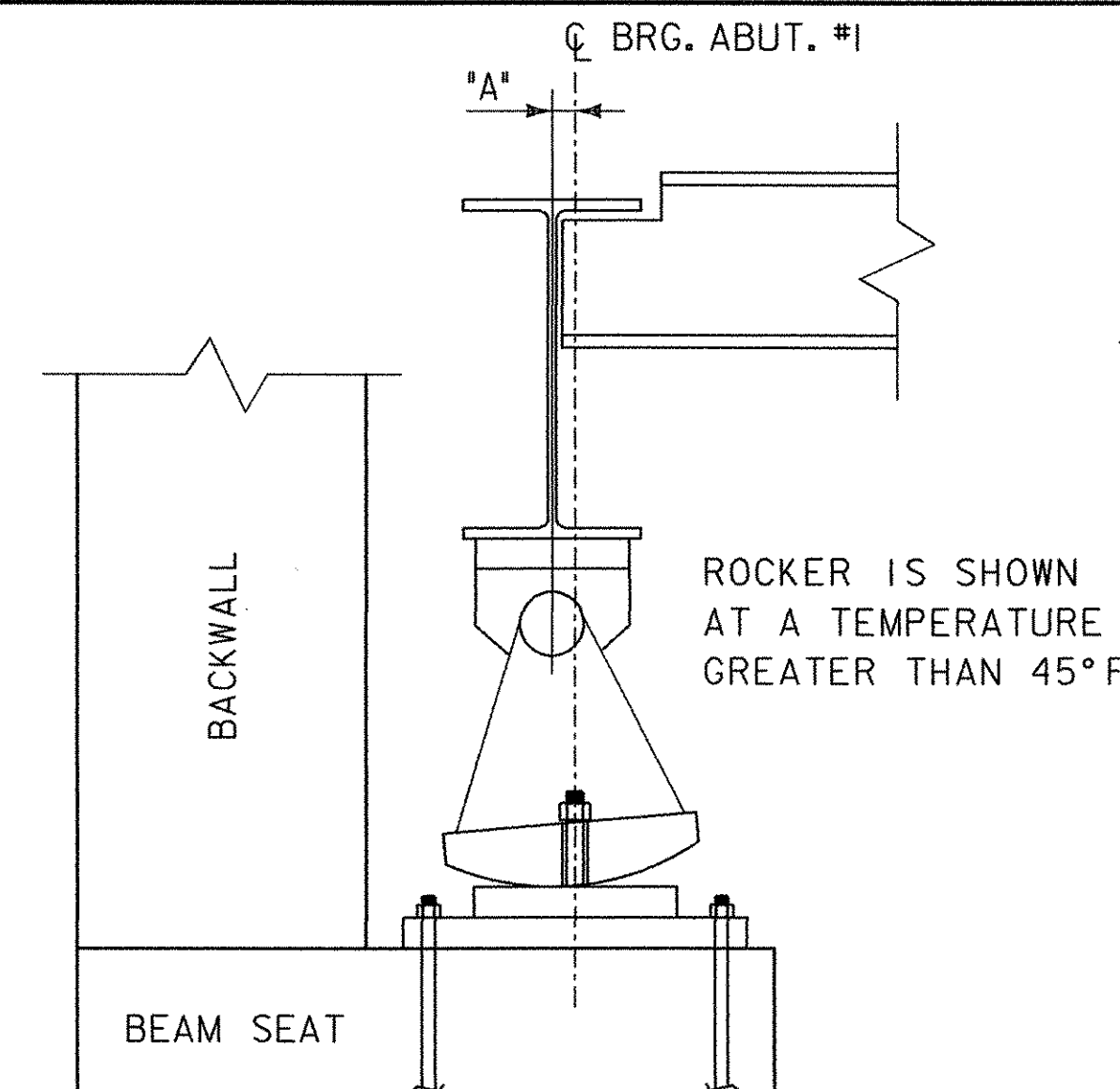
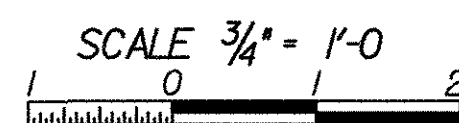


\* - CONTRACTOR TO VERIFY THAT A MINIMUM EDGE DISTANCE OF 6\"/>



NOTE: NOTIFY ENGINEER IF WIDTH OF EXISTING BEAM SEAT IS LESS THAN SHOWN.

**ABUTMENT NO.2 SECTION**



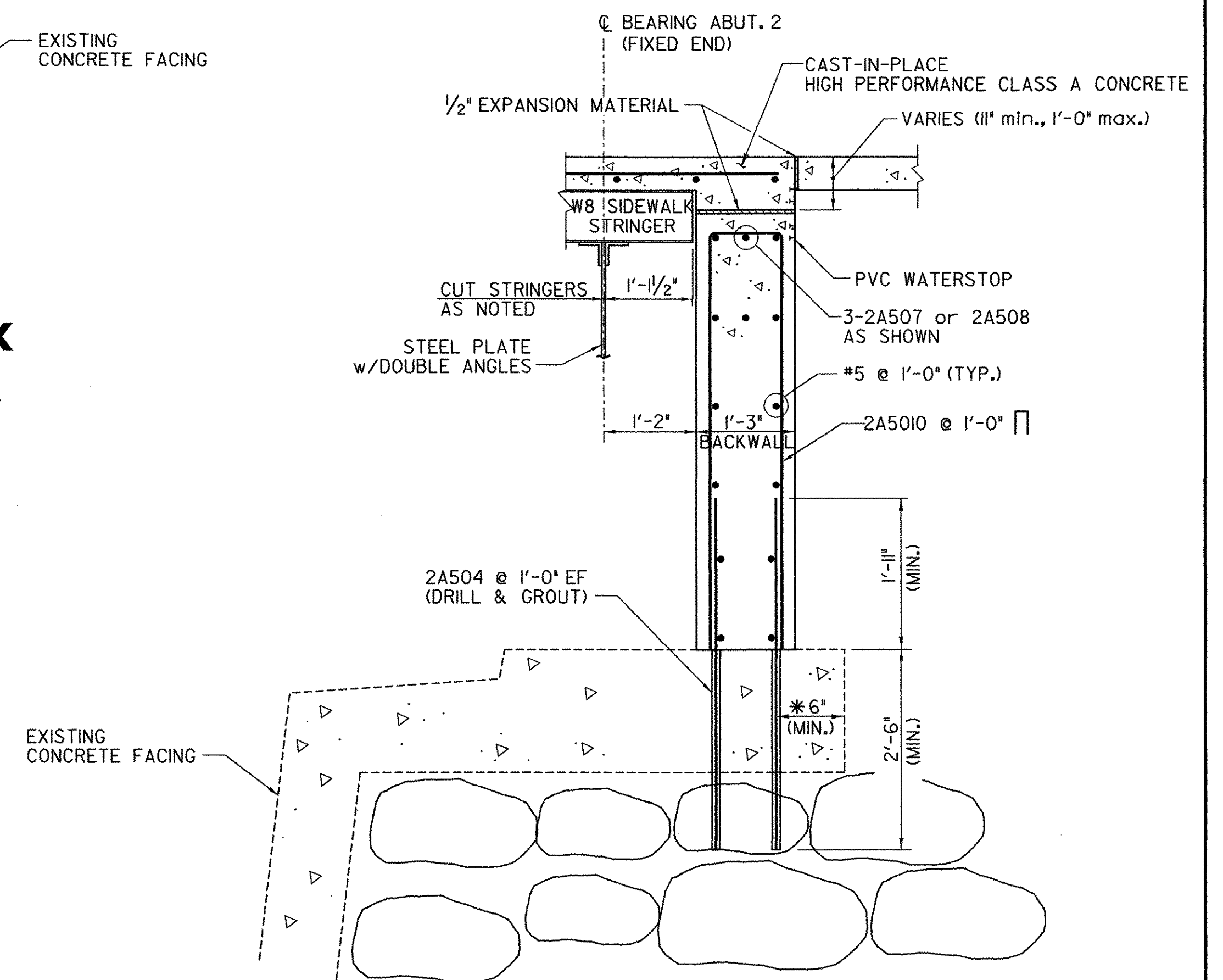
**EXISTING ROCKER ABUT. #1**

NOT TO SCALE

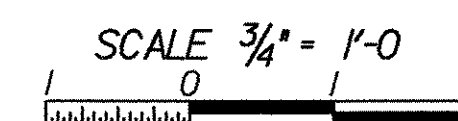
**TEMPERATURE ADJUSTMENT TABLE FOR ROCKER**

ABUTMENT NO. 1	
TEMP.	DIM. "A"
0° F	-7/16"
15° F	-5/16"
30° F	-1/8"
45° F	0"
60° F	1/8"
75° F	5/16"
90° F	7/16"
105° F	3/4"

ROCKER IS SHOWN AT A TEMPERATURE GREATER THAN 45° F.

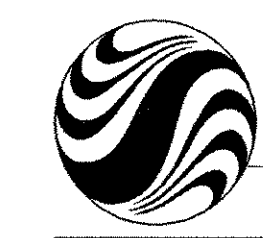


**SECTION THRU SIDEWALK AT ABUTMENT NO. 2**



**NOTE:**

- NF - NEAR FACE
- FF - FAR FACE
- EF - EACH FACE
- ▲ - CUT TO FIT IN FIELD
- 3" CLR. UNLESS OTHERWISE SPECIFIED ON THE PLANS.



PROJECT NAME: RICHFORD

PROJECT NUMBER: BHF 0302 (3) S

FILE NAME: ...Design\rich-abutsects.dgn PLOT DATE: 12/18/2007

PROJECT LEADER: MJC

DRAWN BY: AET

DESIGNED BY: SEB

CHECKED BY: MJC

**ABUTMENT SECTIONS**

SHEET 33 OF 41