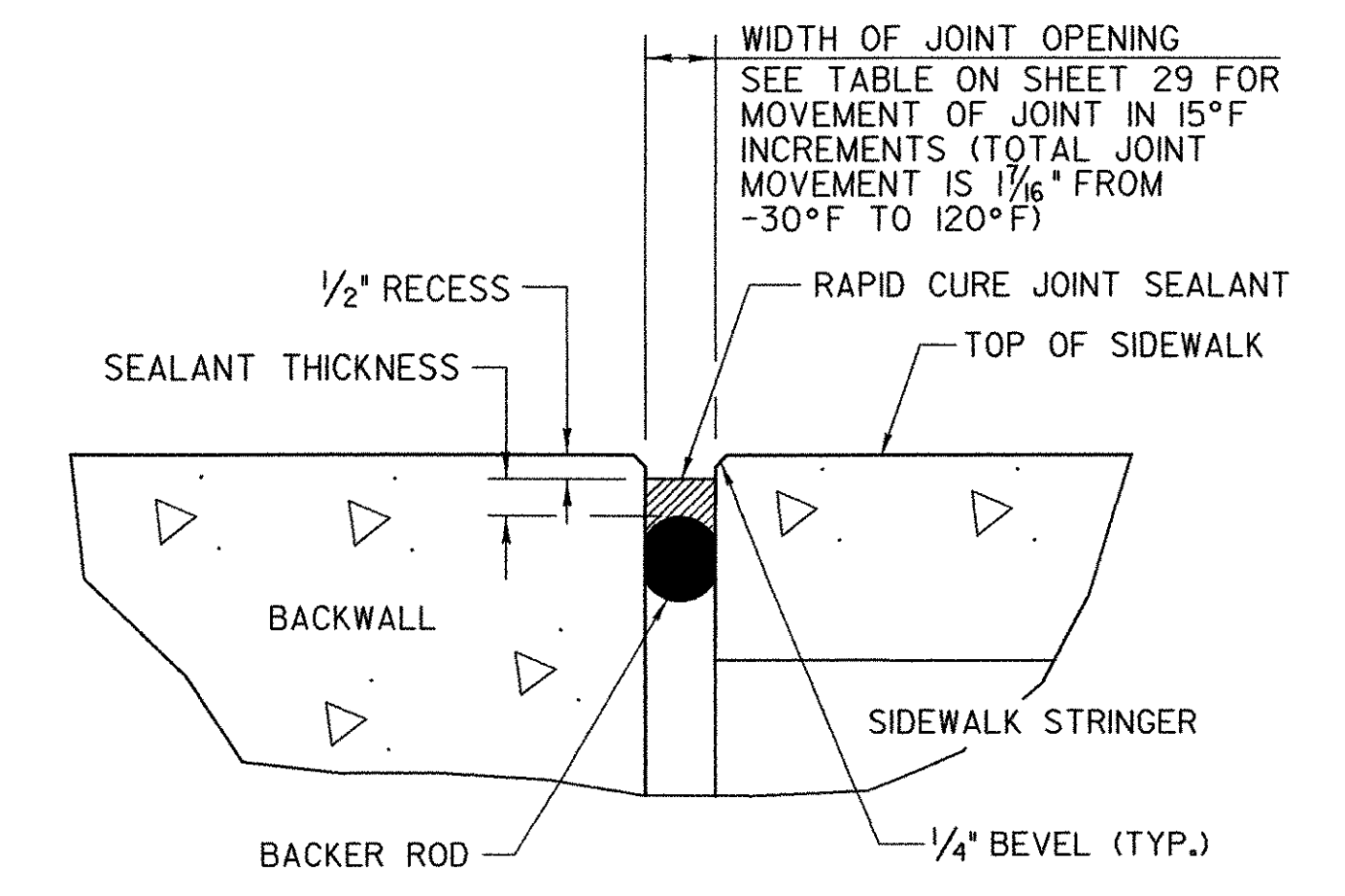
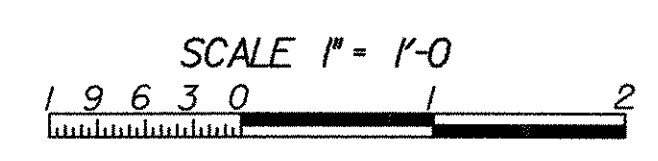
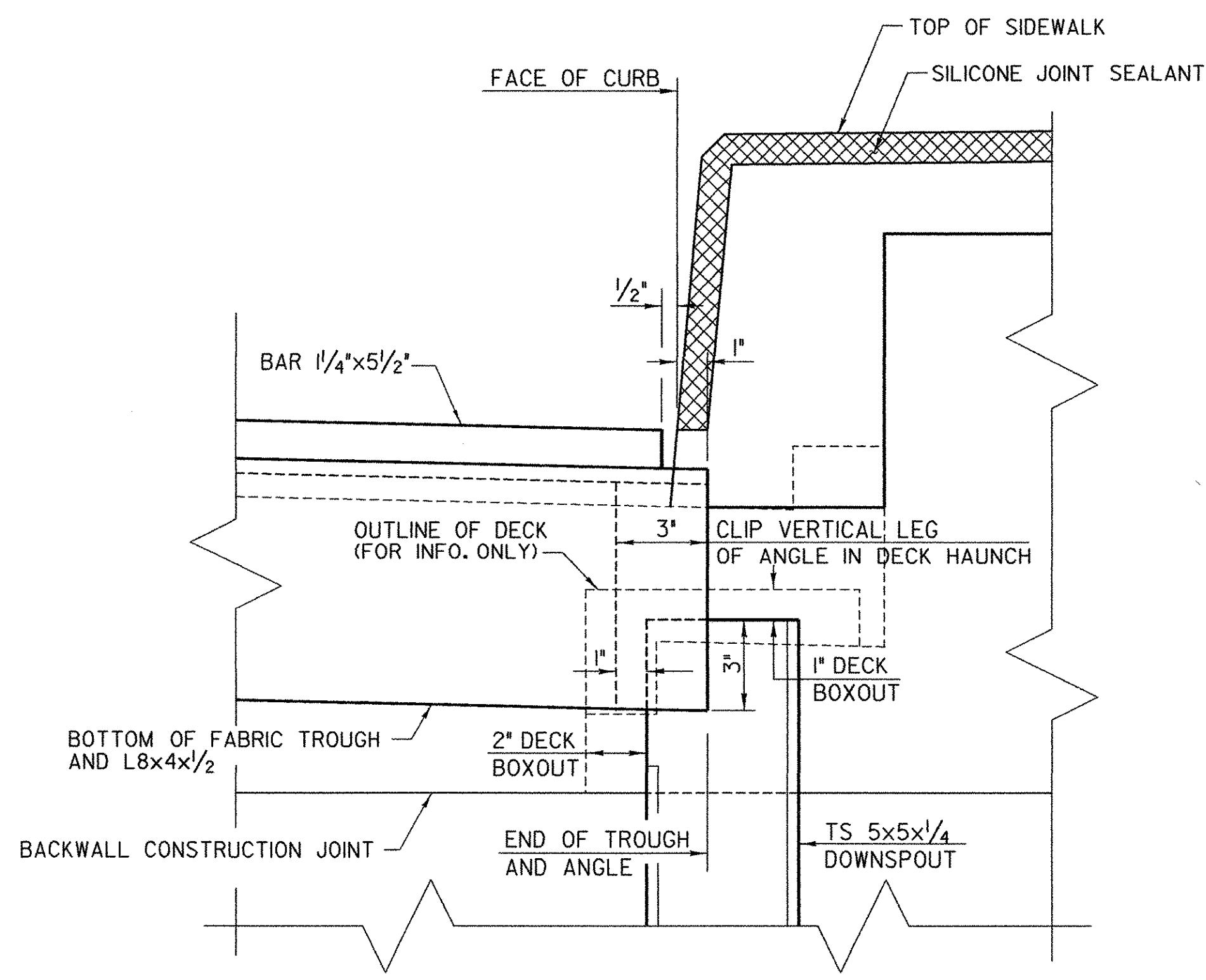
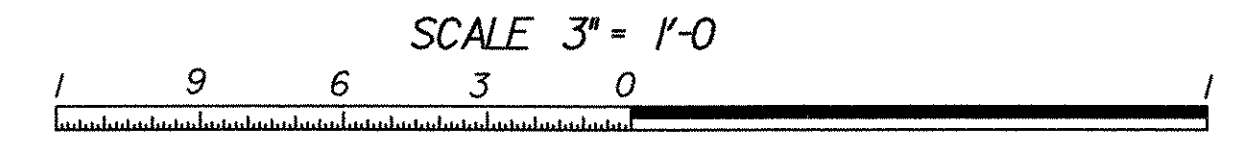


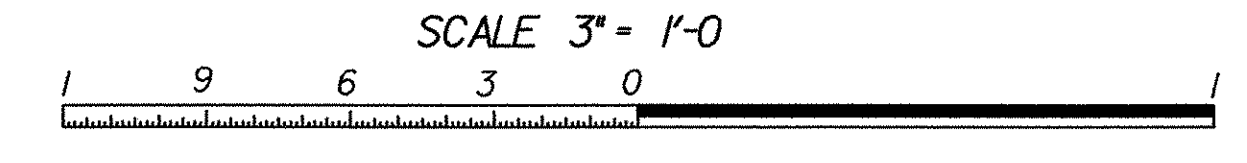
EXPANSION JOINT PLAN AT ABUTMENT NO. 1



SIDEWALK EXPANSION JOINT



SECTION A-A



SIDEWALK JOINT NOTES:

1. THE JOINT WILL BE A "SILICONE SEALANT WITH BACKER ROD."
2. THE SILICONE SEALANT THICKNESS AND WIDTH OF JOINT OPENING SHALL BE AS RECOMMENDED BY SILICONE SEALANT SUPPLIER. THE JOINT SHALL BE INSTALLED AS RECOMMENDED BY SEALANT SUPPLIER.
3. THE LIMITS OF "SILICONE SEALANT WITH BACKER ROD" SHALL BE 5 1/2 INCHES DOWN THE FASCIA FROM THE TOP, ACROSS THE TOP OF THE SIDEWALK AND DOWN THE CURB SIDE OF THE SIDEWALK TO THE TOP OF THE CONCRETE DECK.
4. SIDEWALK EXPANSION JOINT SHALL BE PAID INCIDENTAL TO CONTRACT ITEM 618.10.



PROJECT NAME:	RICHFORD	
PROJECT NUMBER:	BHF 0302 (3) S	
FILE NAME:	... \Design\rich-expjtl.dgn	PLOT DATE: 12/18/2007
PROJECT LEADER:	MJC	DRAWN BY: AET
DESIGNED BY:	SEB	CHECKED BY: MJC
EXPANSION JOINT PLAN		SHEET 28 OF 41