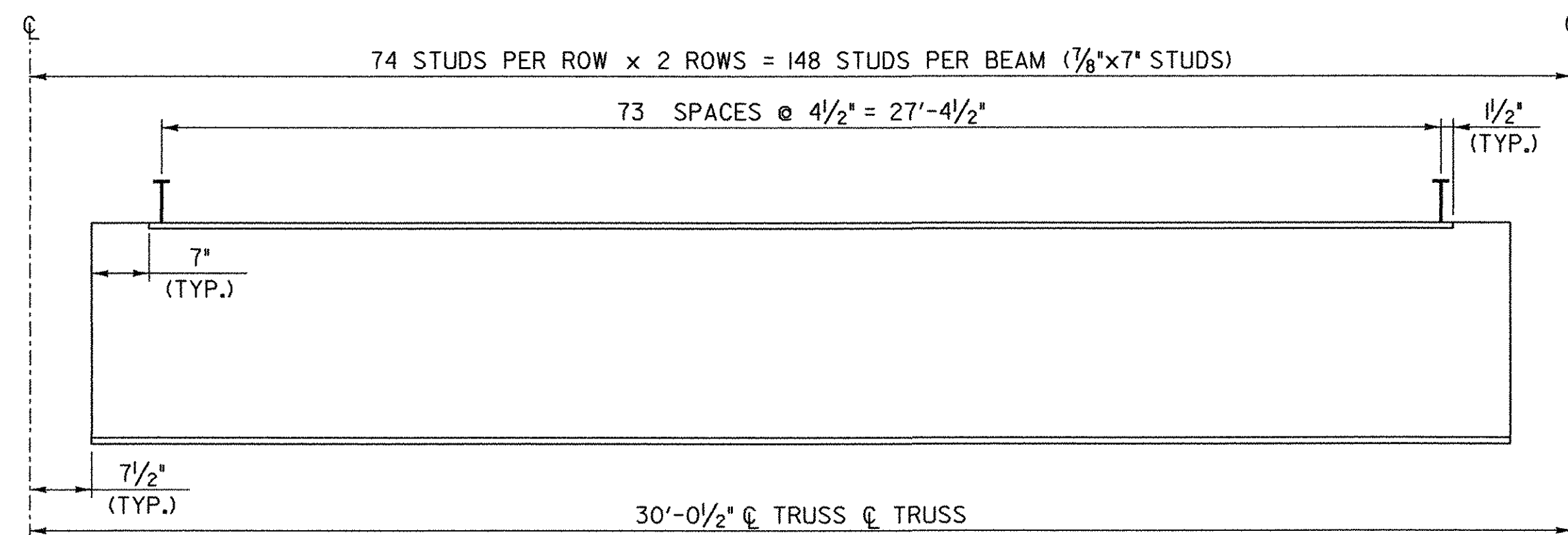
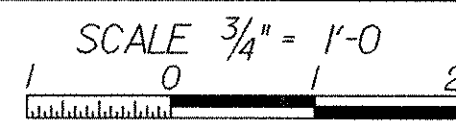
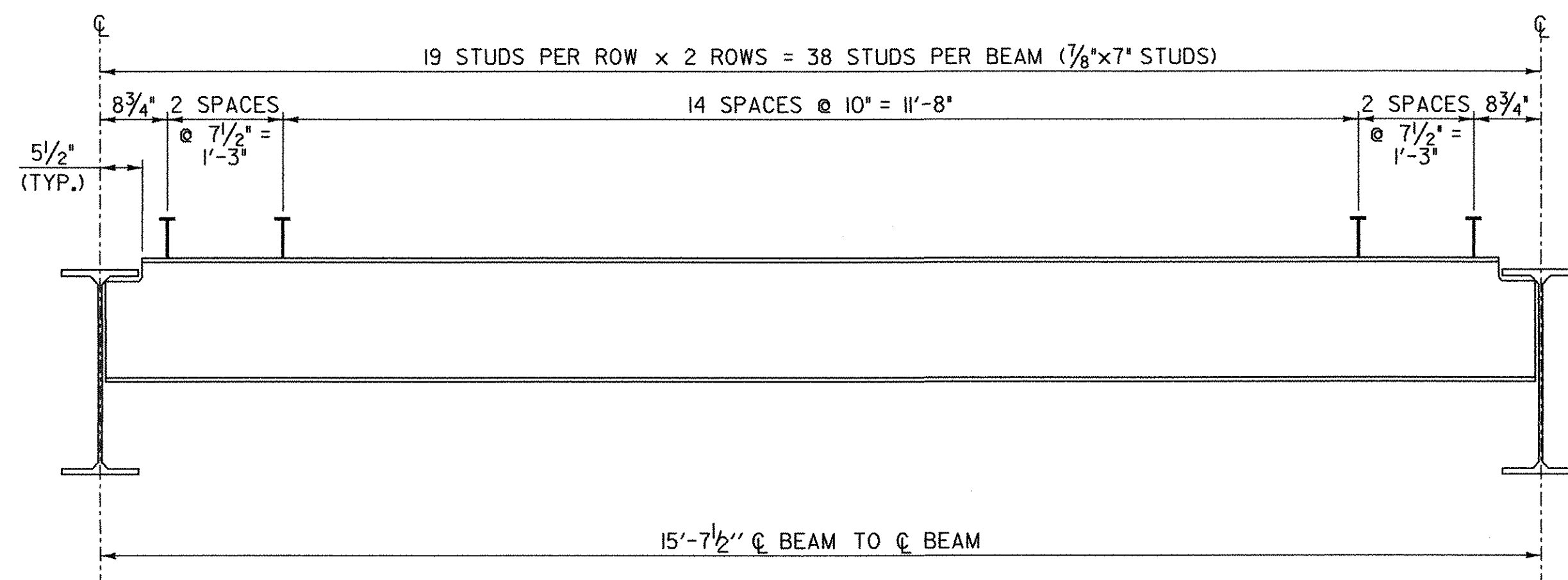


TRUSS BOTTOM CHORD ELEVATION

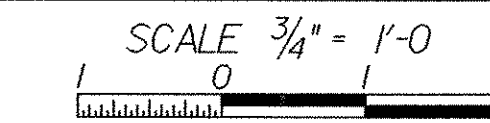


W27 ELEVATION
NOT TO SCALE

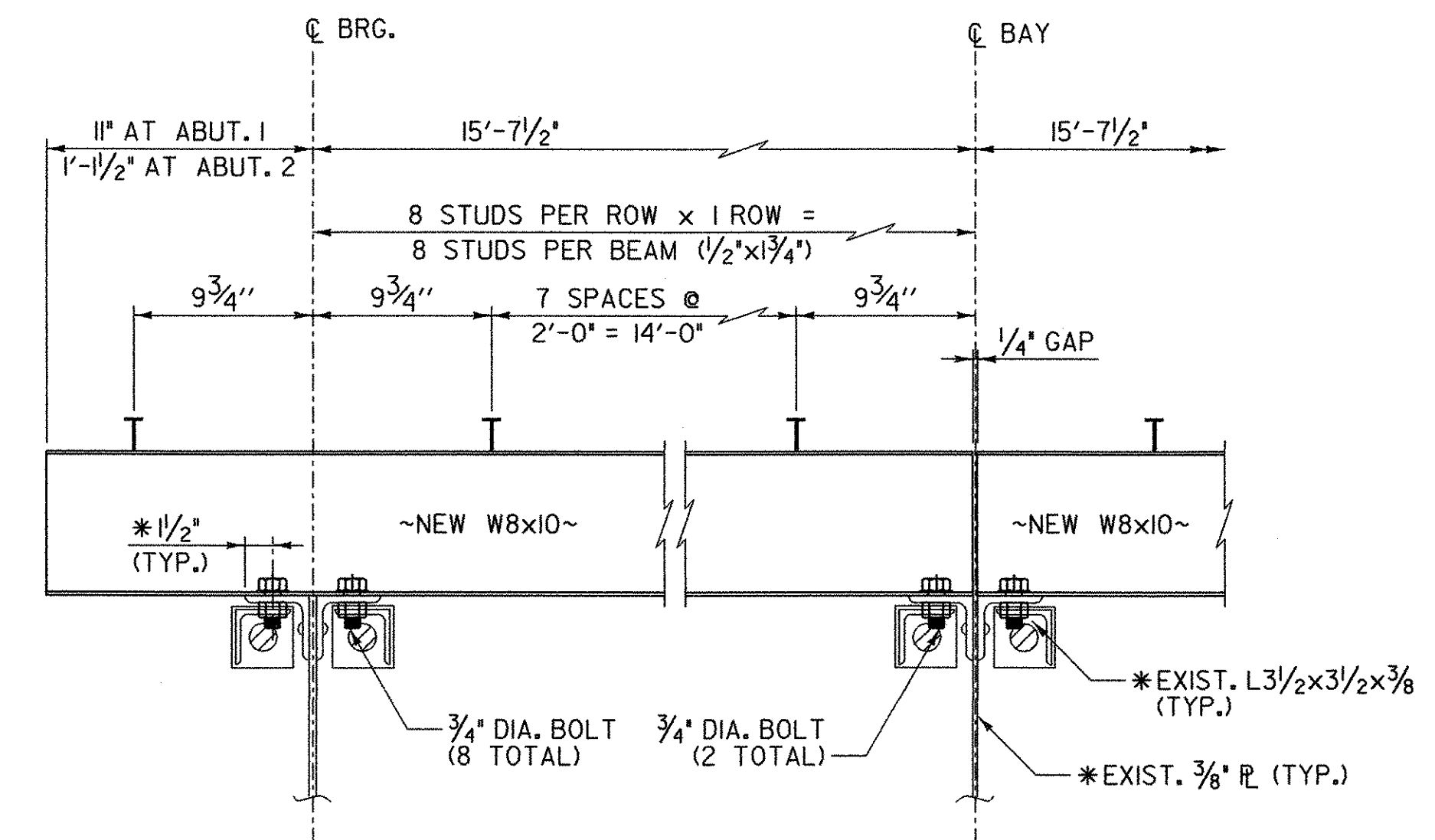


W16 ELEVATION
NOT TO SCALE

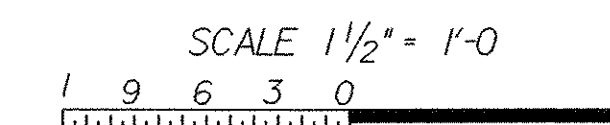
END STAY PLATE DETAIL



INTERMEDIATE STAY PLATE DETAIL



SIDEWALK STRINGER CONNECTION DETAIL



PROJECT NAME: RICHFORD
 PROJECT NUMBER: BHF 0302 (3) S
 FILE NAME: ...Design\Rich-steeldets2.dgn PLOT DATE: 12/18/2007
 PROJECT LEADER: MJC DRAWN BY: JJS
 DESIGNED BY: SEB CHECKED BY: MJC
STEEL DETAILS SHEET 2 SHEET 24 OF 41