

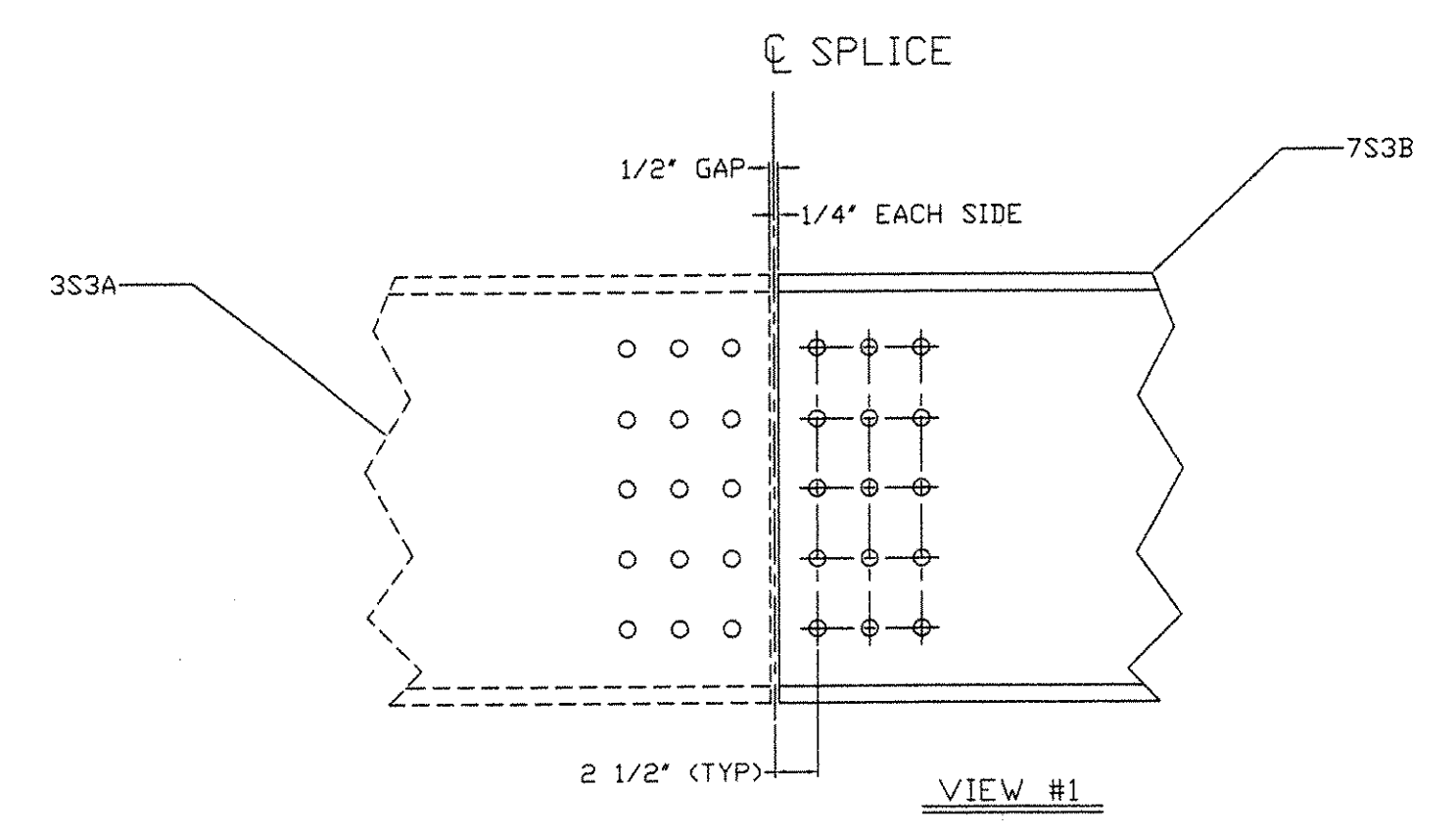
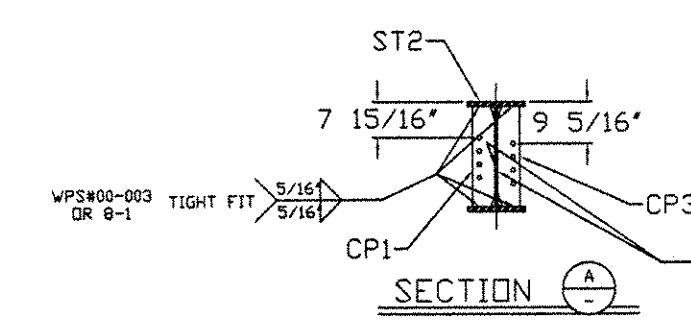
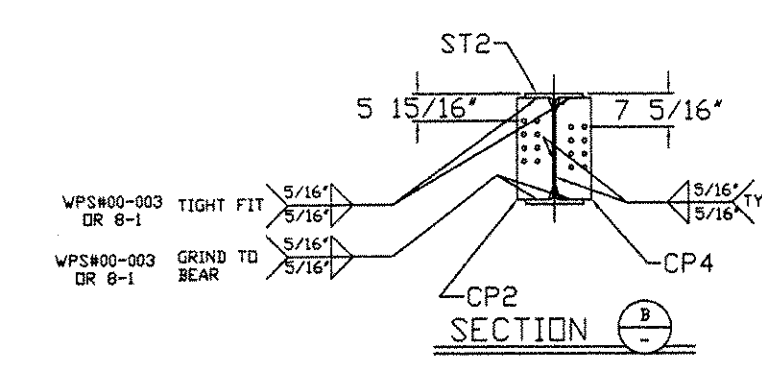
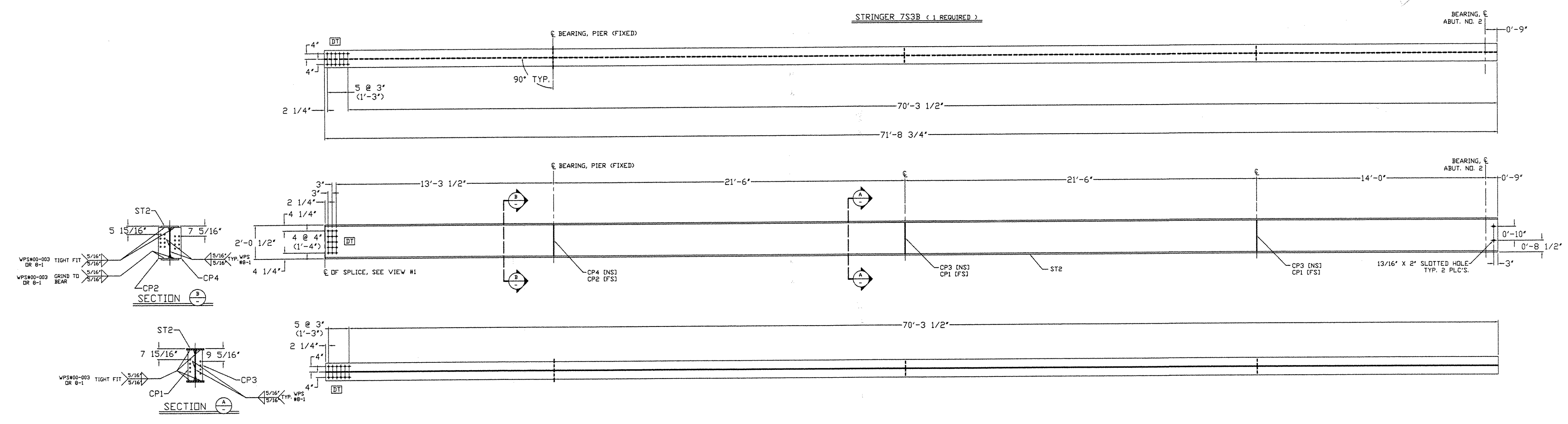
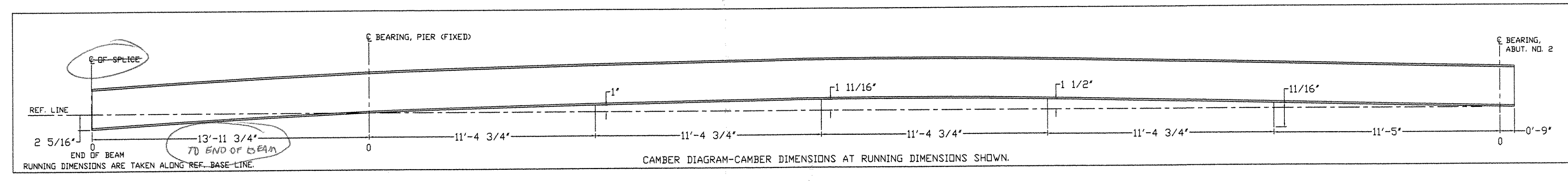
8 7 6 5 4 3 2 1

W24 X 131
W 2'-0 1/2" X 5/8"
F 1'-0 7/8" X 15/16"

- NOTES:
1. ALL HOLES ARE 15/16" DIA.
 2. MATERIALS: M270G50W (UN)
 3. FASTENERS: 7/8" A325 TYPE 3
 4. PAINT: NONE.
 5. DIMENSION ARE IN FEET & INCHES.
 6. GENERAL NOTES: SEE DRAWING GNI
 7. ENDS OF BEAMS SHALL BE CUT SQUARE AT ABUTMENTS.
 8. ALL STIFFENERS ARE 90° TO BOTTOM FLANGE.

BILL OF MATERIAL										
REV. NO.	SHIP MARK	PIECE MARK	QTY.	TYPE OF MATERIAL	SIZE OF MATERIAL	GRADE	LENGTH	FINISH	NOTES	WEIGHT
	7S3B	ST2	1	W	W24 X 131	M270G50W TZ	71'-8 3/4"		CVN	9397#
	7S3B	CP1	2	PLATE	PL 1/2" X 5"	M270G50W	1'-10 5/8"			32#
	7S3B	CP2	1	PLATE	PL 1/2" X 8"	M270G50W	1'-10 5/8"			26#
	7S3B	CP3	2	PLATE	PL 1/2" X 5"	M270G50W	1'-10 5/8"			32#
	7S3B	CP4	1	PLATE	PL 1/2" X 8"	M270G50W	1'-10 5/8"			26#

9513



REVISIONS
7/22/04 JBA

REVISIONS	
NO.	DESCRIPTION
7/14/04	FOR APPROVAL

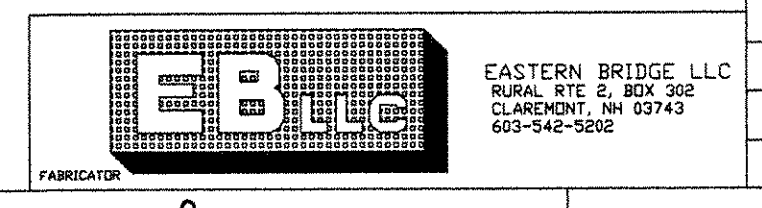
ITEM NO. 506.50

FRANK W. WHITCOMB CONSTRUCTION CORP.
CONTRACT: BMD 1442 (32)
VT ADT

CHURCH STREET (TH 5) OVER WILLIAMS RIVER
BRIDGE NO. 11
CHESTER, VT

TITLE:
STRINGER DETAIL 7S3B

DRAWN BY 4/26/04 DANA BACON SHOP ORDER 5025 DWG. NO. 7
CHK BY JH 7/15/04 BLOCK NO. SHEET NO. 1 OF 1



8 7 6 5 4 3 2 1 035 SS