

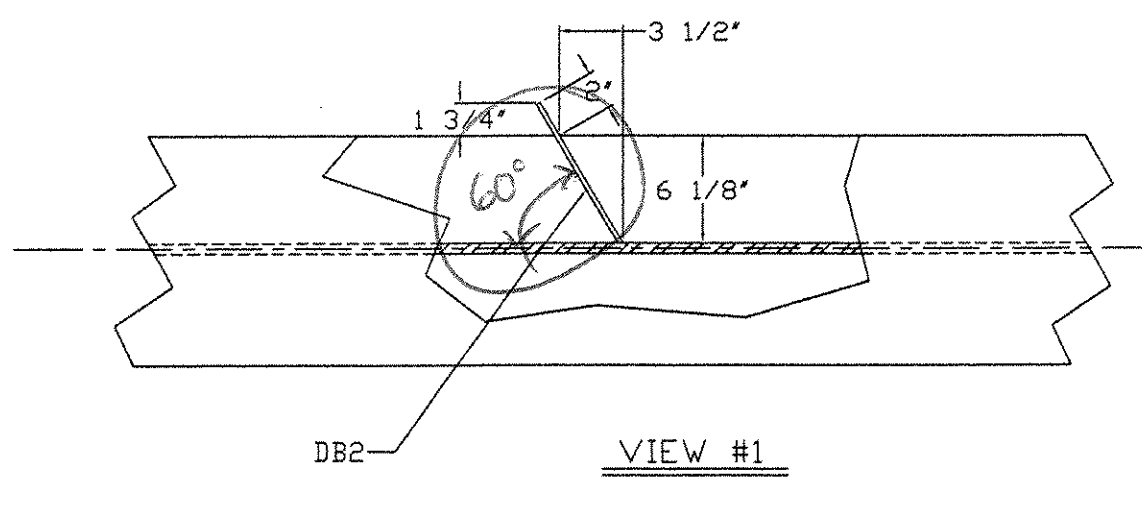
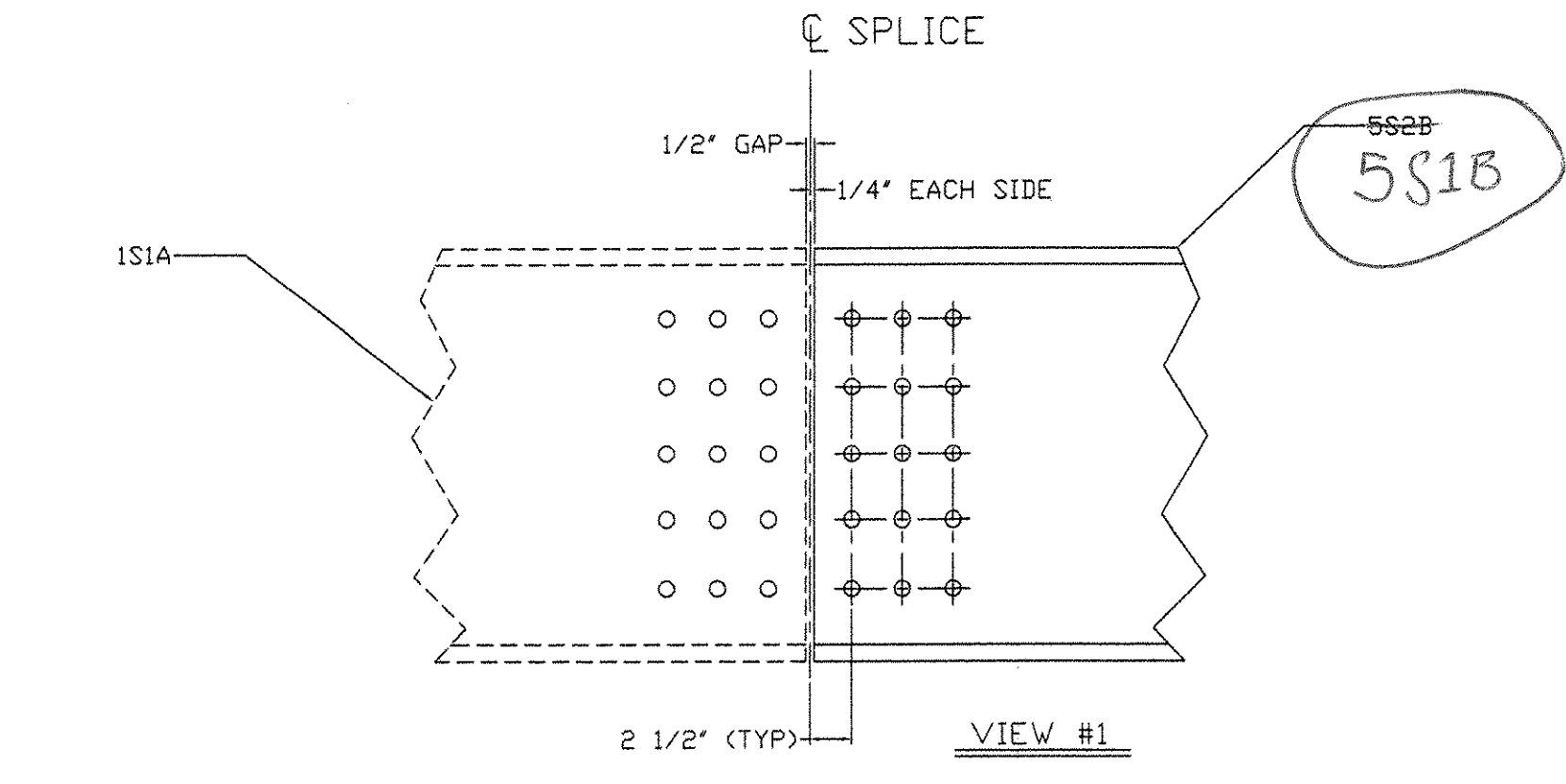
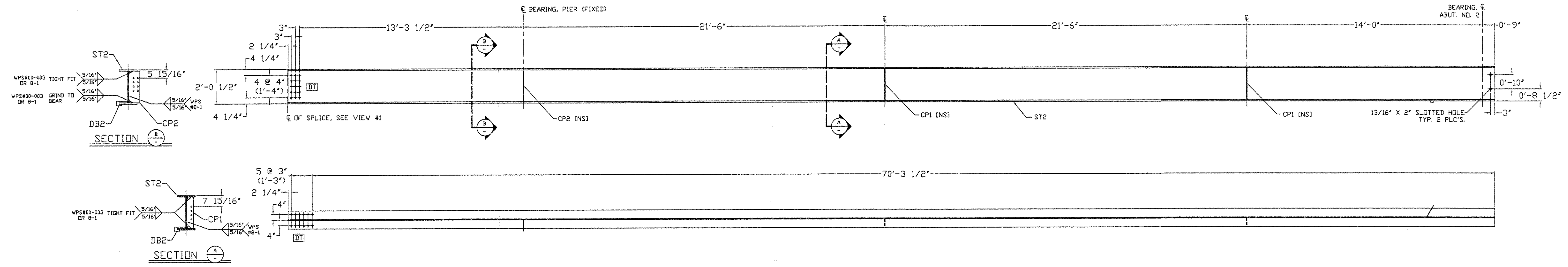
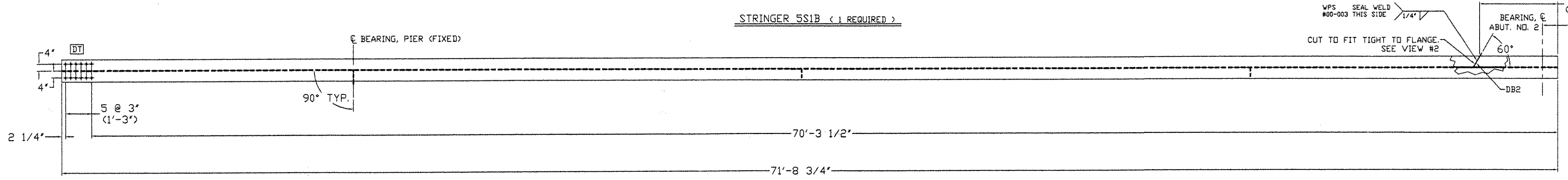
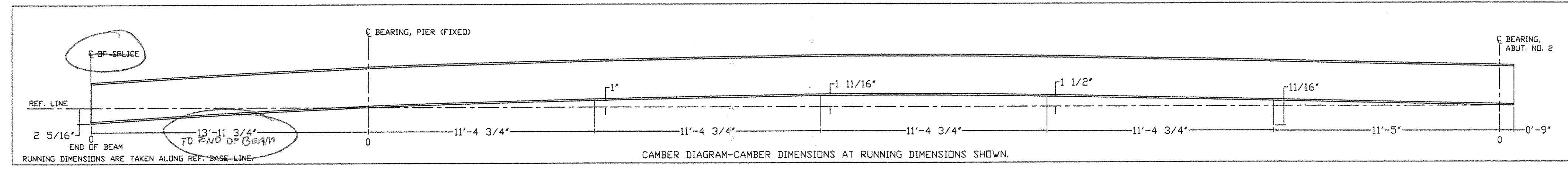
W24 X 131  
 W 2'-0 1/2" X 5/8"  
 F 1'-0 7/8" X 15/16"

- NOTES:
1. ALL HOLES ARE 15/16" DIA.
  2. MATERIALS: M270GR50W (UN)
  3. FASTENERS: 7/8" A325 TYPE 3
  4. PAINT: NONE.
  5. DIMENSION ARE IN FEET & INCHES.
  6. GENERAL NOTES: SEE DRAWING GNI
  7. ENDS OF BEAMS SHALL BE CUT SQUARE AT ABUTMENTS.
  8. ALL STIFFENERS ARE 90° TO BOTTOM FLANGE.

ST2

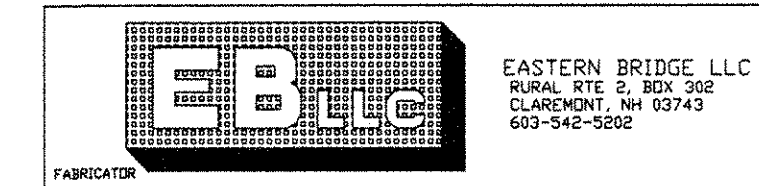
BILL OF MATERIAL										
REV. NO.	SHIP MARK	PIECE MARK	QTY.	TYPE OF MATERIAL	SIZE OF MATERIAL	GRADE	LENGTH	FINISH	NOTES	WEIGHT
	SS1B	ST1	1	W	W24 X 131	M270GR50W TZ	71'-8 3/4"		CVN	9397#
	SS1B	CP1	2	PLATE	PL 1/2" X 5"	M270GR50W	1'-10 5/8"			32#
	SS1B	CP2	1	PLATE	PL 1/2" X 8"	M270GR50W	1'-10 5/8"			26#
	SS1B	DB2	1	PLATE	PL 1/4" X 3"	M270GR50W	0'-9 3/16"			2#

9457



ACCEPTED AS SHOWN  
 CONTRACTOR'S REVIEW AND RESUBMIT  
 UNACCEPTABLE  
 7/22/04  
 FSA

REVISIONS			FRANK W. WHITCOMB CONSTRUCTION CORP.	
NO.	DATE	DESCRIPTION	CONTRACT: BHD 1442 (32)	
	7/14/04	FOR APPROVAL	CHURCH STREET (TH S) OVER WILLIAMS RIVER BRIDGE NO. 11 CHESTER, VT	
TITLE:			STRINGER DETAIL SS1B	
DRAWN BY 4/26/04 DANA BACON		SHOP ORDER 5025	DWC NO. 5	
CND BY JH 7/15/04		BLOCK NO.	SHEET NO. 1 OF 1	



03355