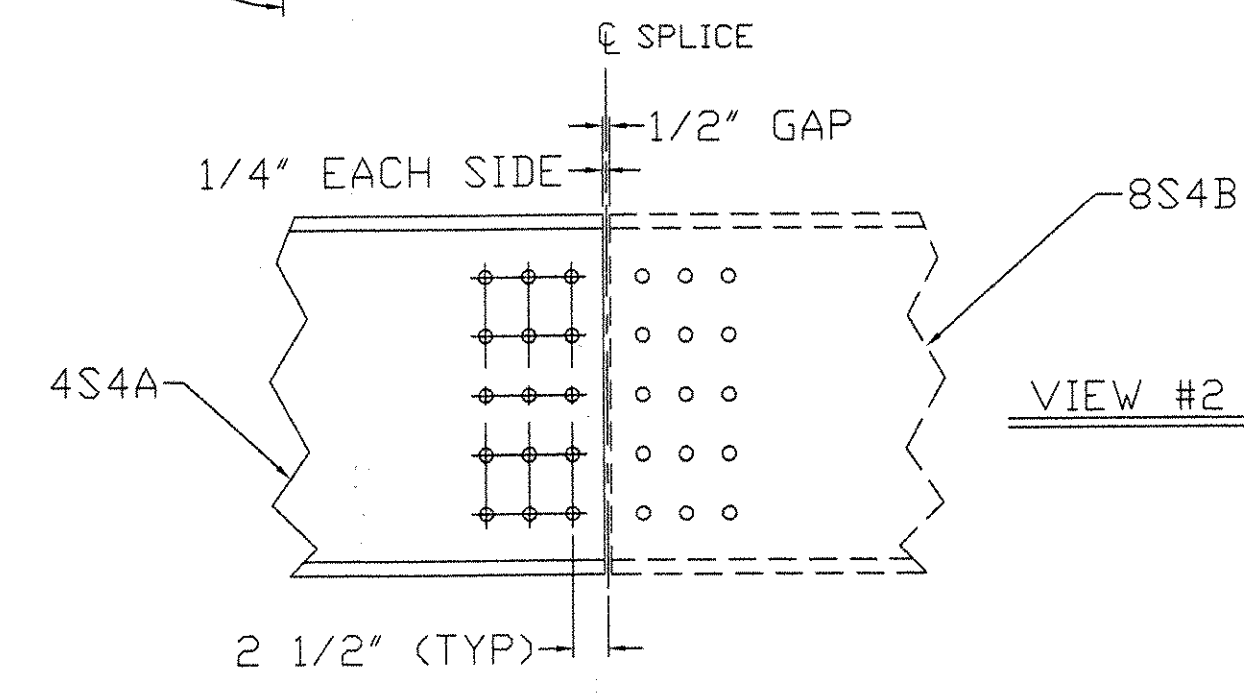
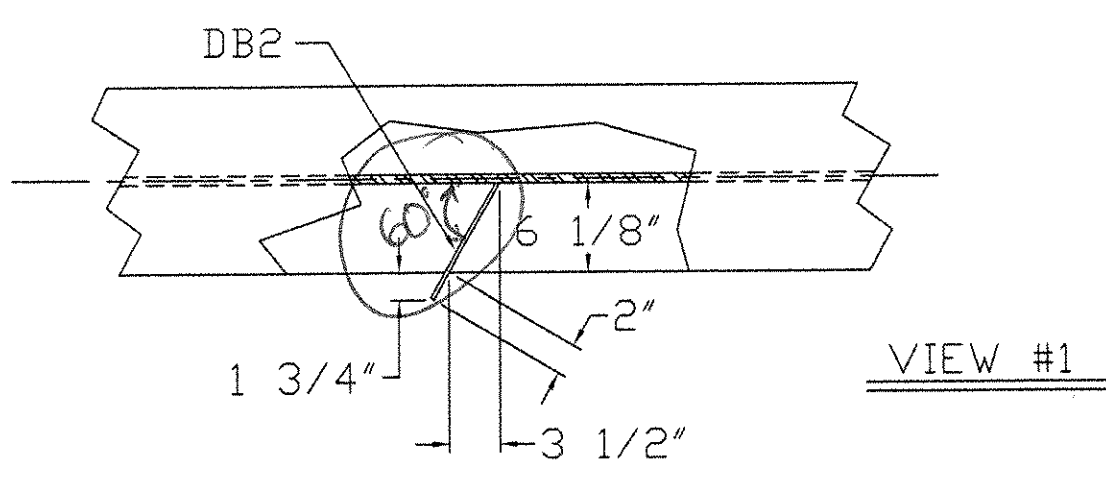
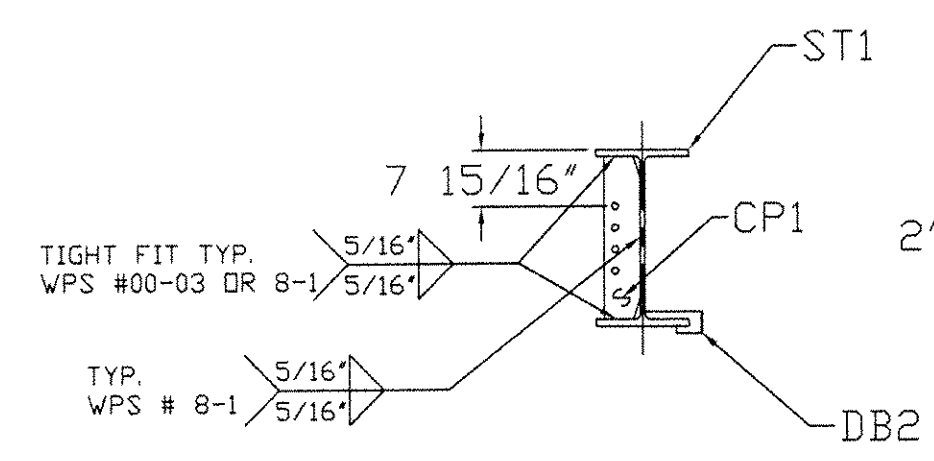
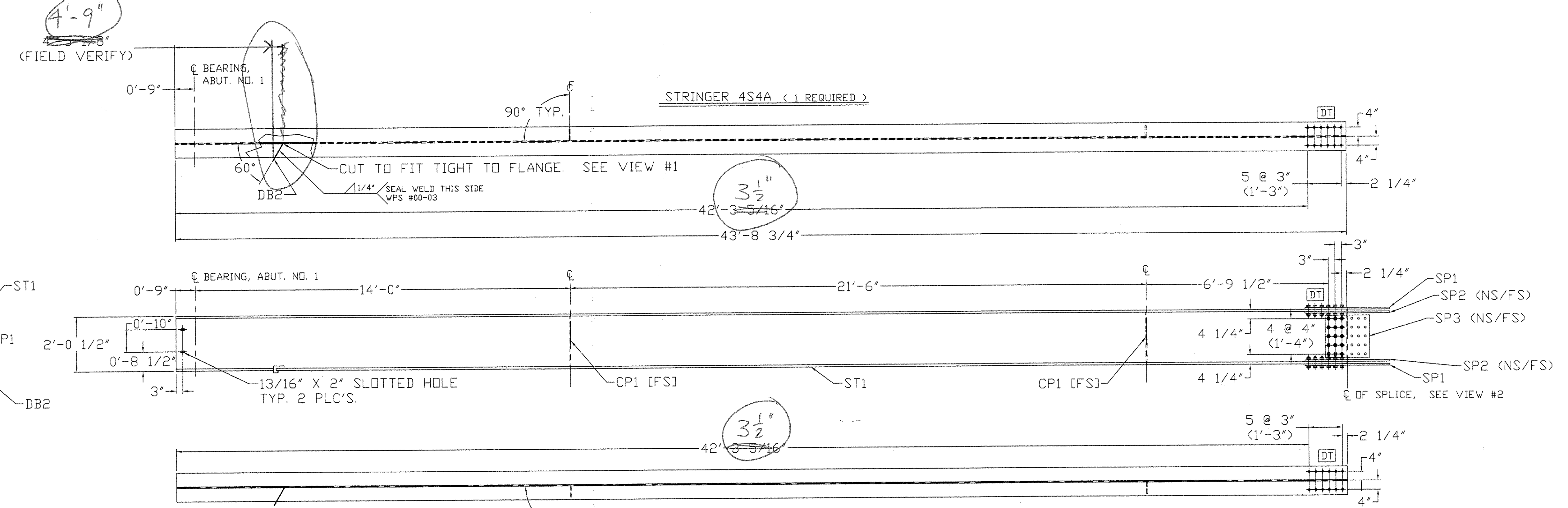
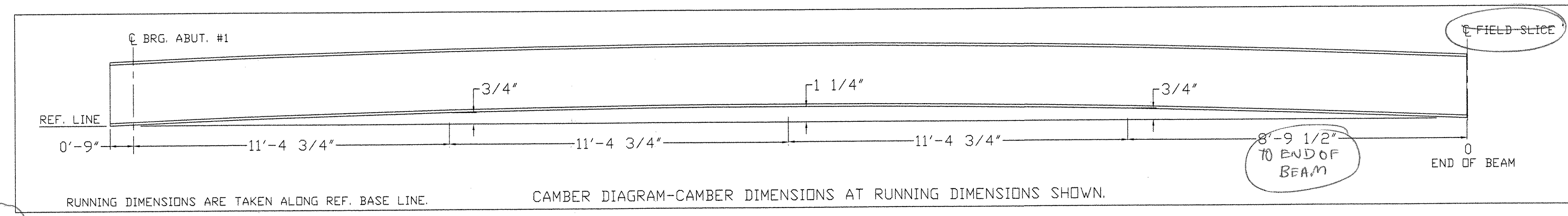


W24 X 131	
W	2'-0 1/2" X 5/8"
F	1'-0 7/8" X 15/16"

- NOTES:
1. ALL HOLES ARE 15/16" DIA.
 2. MATERIALS: M270G-50W (UN)
 3. FASTENERS: 7/8" A325 TYPE 3
 4. PAINT: NONE.
 5. DIMENSION ARE IN FEET & INCHES.
 6. GENERAL NOTES: SEE DRAWING GNI
 7. ENDS OF BEAMS SHALL BE CUT SQUARE AT ABUTMENTS.
 8. ALL STIFFENERS ARE 90° TO BOTTOM FLANGE.

BILL OF MATERIAL											
REV. NO.	SHIP MARK	PIECE MARK	QTY.	TYPE OF MATERIAL	SIZE OF MATERIAL	GRADE	LENGTH	FINISH	NOTES	WEIGHT	
	4S4A	ST1	1	W	W24 X 131	M270G50W T2	43'-8 3/4"		CVN	572#	
	4S4A	CP1	2	PLATE	PL 1/2" X 5"	M270G50W	1'-10 5/8"			32#	
	4S4A	DB2	1	PLATE	PL 1/4" X 3"	M270G50W	0'-9 3/16"			2#	
	4S4A	SP1	2	PLATE	PL 3/4" X 12"	M270G50W T2	3'-2"		CVN	194#	
	4S4A	SP2	4	PLATE	PL 3/4" X 5"	M270G50W T2	3'-2"		CVN	162#	
	4S4A	SP3	2	PLATE	PL 3/8" X 19"	M270G50W T2	1'-8"		CVN	81#	



NOTED AS CORRECTED
 REJECTED, REVISE AND RESUBMIT
 REJECTED UNACCEPTABLE
 Checking is only for conformance with the design concept of the project and compliance with the information given in the Contract Documents. The Engineer assumes no liability for errors or omissions that may be contained herein. The Contractor, by signing and submitting these documents, warrants that the work shall be completed in accordance with the Contract Documents. See also the Contract Documents for the Contractor's Shop Drawing Review Process and any other applicable provisions.
 7/22/04
 BOA

REVISIONS		
NO.	DATE	DESCRIPTION
1	7/14/04	FOR APPROVAL

ITEM NO: 506.50		
FRANK W. WHITCOMB CONSTRUCTION CORP.		
CONTRACT: BHO 1442 (32) VT ADT		
CHURCH STREET (TH 5) OVER WILLIAMS RIVER BRIDGE NO. 11 CHESTER, VT		
TITLE: STRINGER DETAIL 4S4A		
DRAWN BY: 4/23/04 DANA BACON	SHOP ORDER: 5025	DWG. NO.: 4
CHK BY: JH 7/15/04	BLOCK NO.:	SHEET NO.: 1 OF 1

