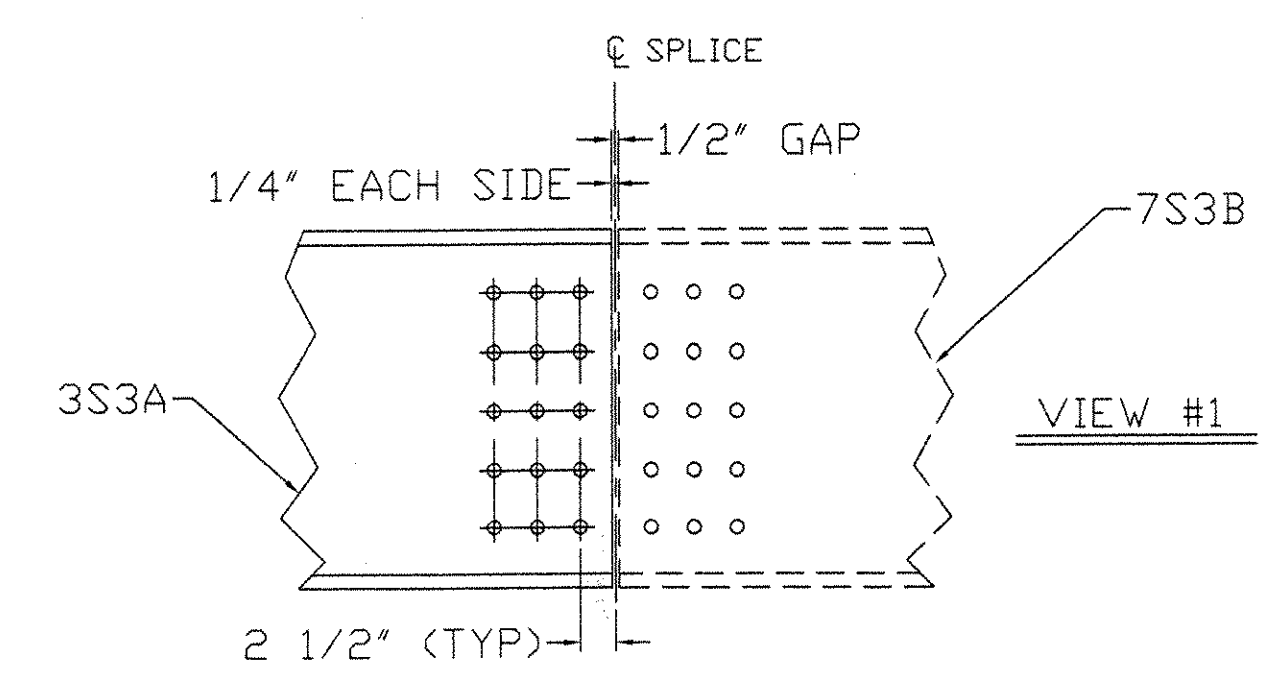
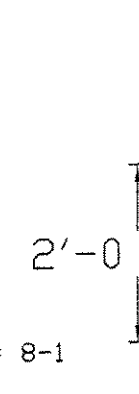
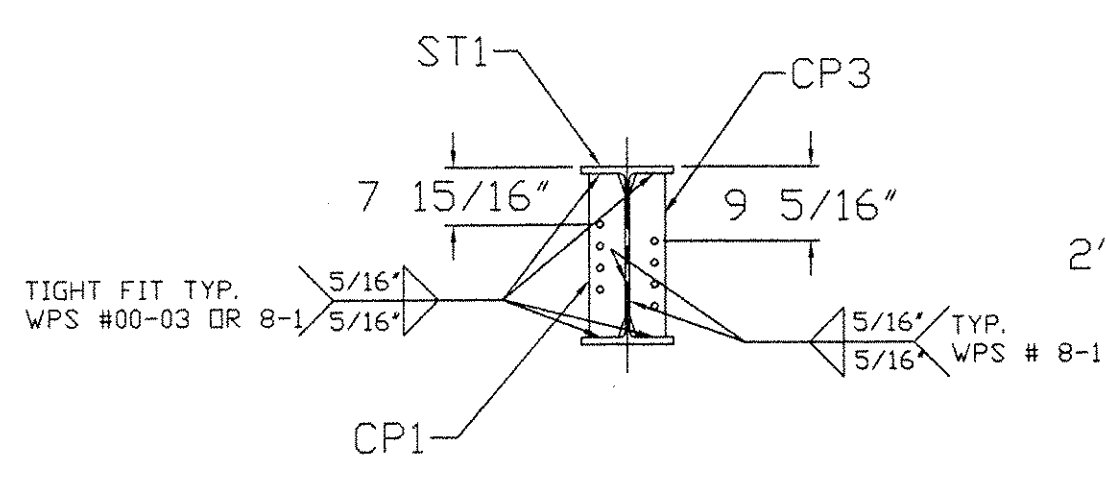
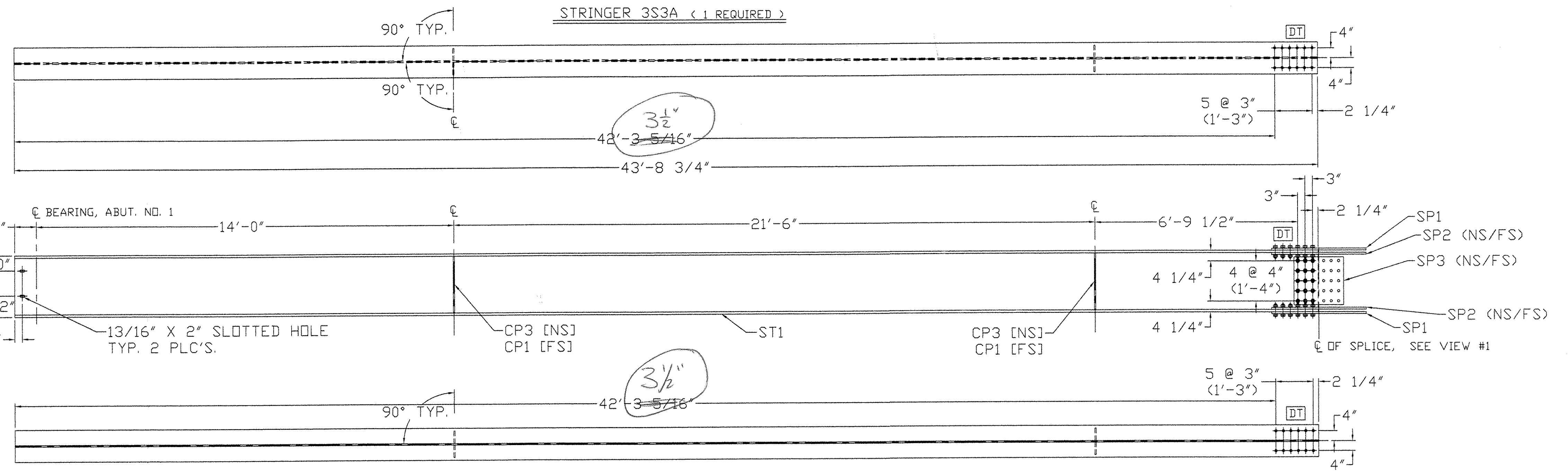
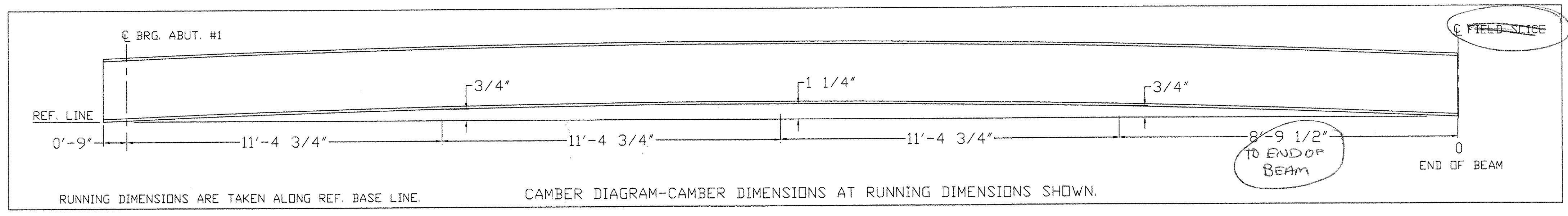


W24 X 131	
W	2'-0 1/2" X 5/8"
F	1'-0 7/8" X 15/16"

- NOTES:
1. ALL HOLES ARE 15/16" DIA.
  2. MATERIALS: M270G+50W (UN)
  3. FASTENERS: 7/8" A325 TYPE 3
  4. PAINT: NONE.
  5. DIMENSION ARE IN FEET & INCHES.
  6. GENERAL NOTES: SEE DRAWING GNI
  7. ENDS OF BEAMS SHALL BE CUT SQUARE AT ABUTMENTS.
  8. ALL STIFFENERS ARE 90° TO BOTTOM FLANGE.

BILL OF MATERIAL										
REV. NO.	SHIP MARK	PIECE MARK	QTY.	TYPE OF MATERIAL	SIZE OF MATERIAL	GRADE	LENGTH	FINISH	NOTES	WEIGHT
	3S3A	ST1	1	W	W24 X 131	M270G50W T2	43'-8 3/4"		CVN	5729#
	3S3A	CP1	2	PLATE	PL 1/2" X 5"	M270G50W	1'-10 5/8"			32#
	3S3A	CP3	2	PLATE	PL 1/2" X 5"	M270G50W	1'-10 5/8"			32#
	3S3A	SP1	2	PLATE	PL 3/4" X 12"	M270G50W T2	3'-2"		CVN	194#
	3S3A	SP2	4	PLATE	PL 3/4" X 5"	M270G50W T2	3'-2"		CVN	162#
	3S3A	SP3	2	PLATE	PL 3/8" X 19"	M270G50W T2	1'-8"		CVN	81#



REVISIONS CORRECTED  
 REJECTED, REVISE AND RESUBMIT  
 REJECTED, RE-SUBMITTABLE  
 7/22/04 [Signature]

REVISIONS		
NO.	DATE	DESCRIPTION
1	7/14/04	FOR APPROVAL

ITEM NO: 506.50	
FRANK W. WHITCOMB CONSTRUCTION CORP.	
CONTRACT: BHD 1442 (32) VT ADT	
CHURCH STREET (TH S) OVER WILLIAMS RIVER BRIDGE NO. 11 CHESTER, VT	
TITLE: STRINGER DETAIL 3S3A	
DRAWN BY: 4/23/04 DANA BACON	SHOP ORDER: 5025
CHK BY: JH 7/15/04	DWG. NO.: 3
	SHEET NO.: 1 OF 1

