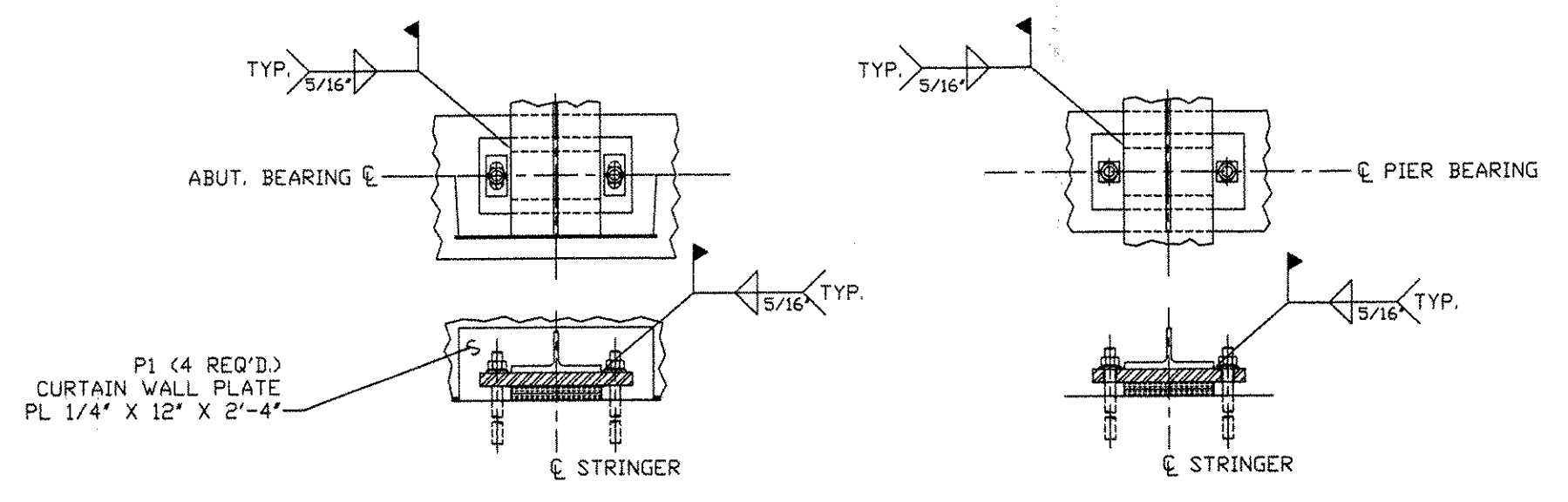
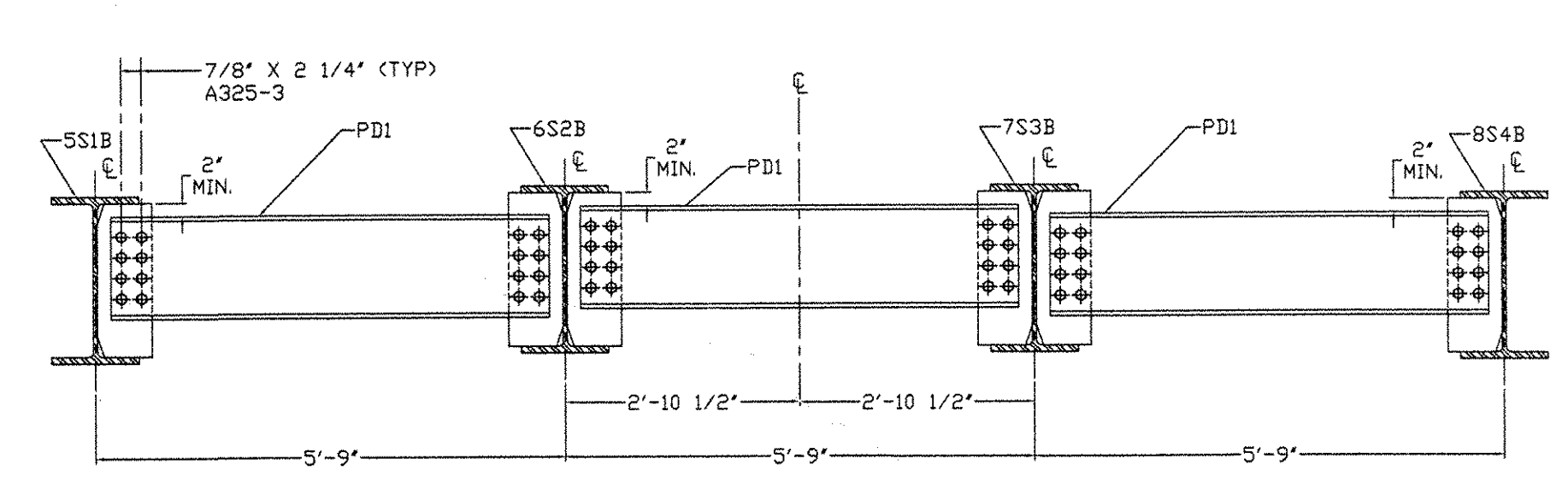
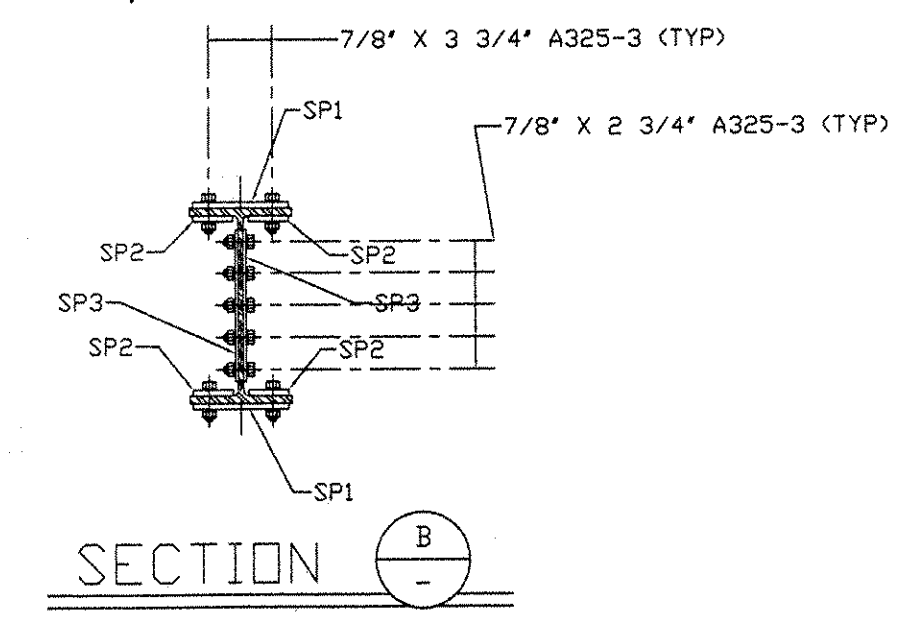
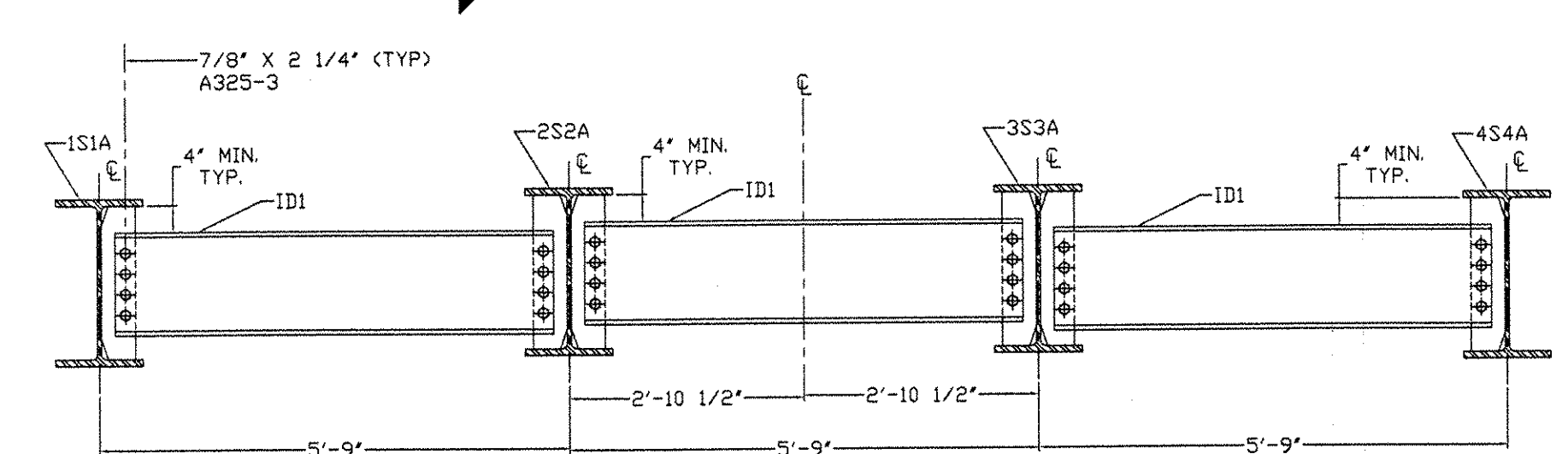
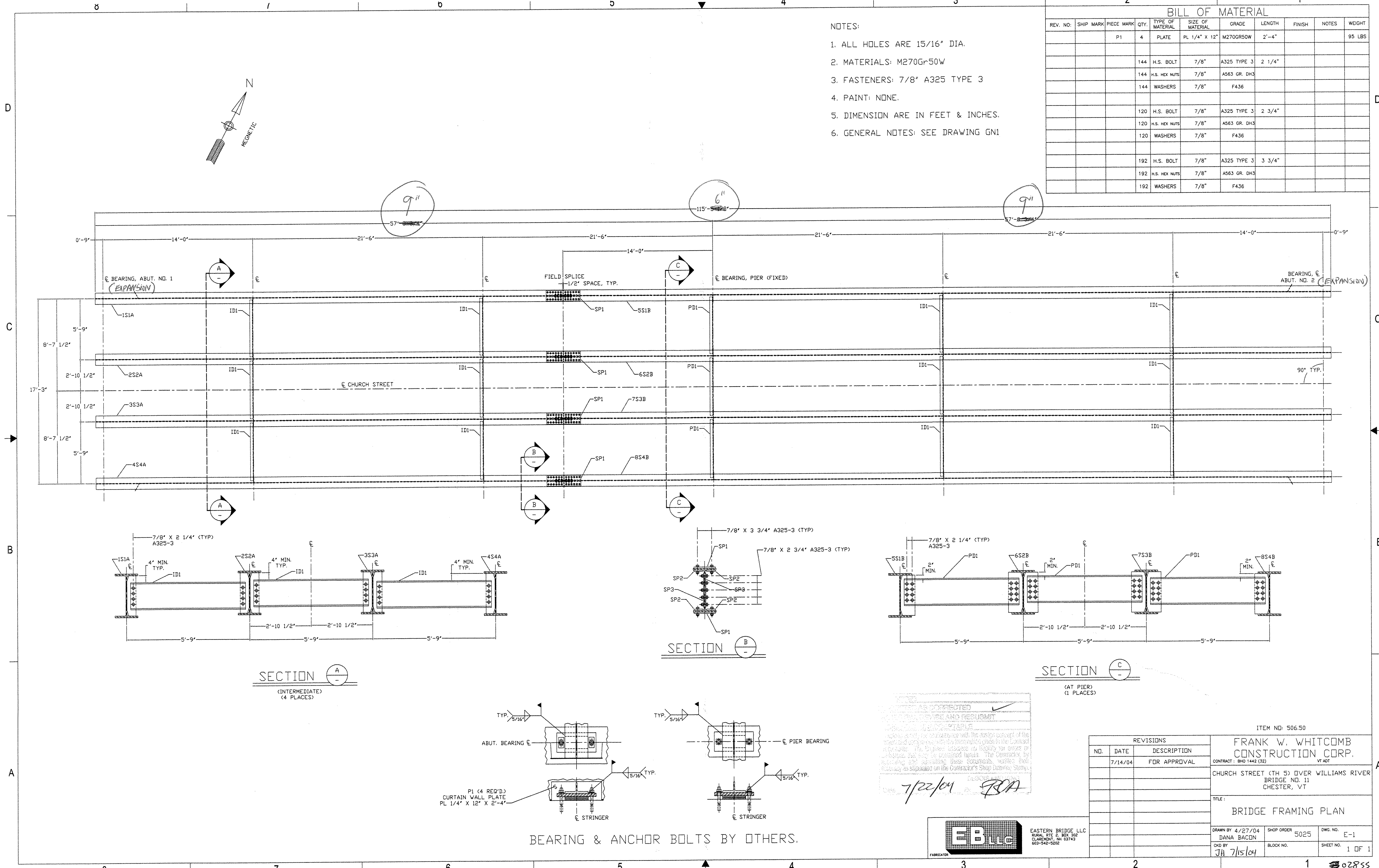


BILL OF MATERIALS
WAS NOT CHECKED BY
THE REVIEWER. TYPICAL ALL SHEETS

- NOTES:
1. ALL HOLES ARE 15/16" DIA.
 2. MATERIALS: M270Gr50W
 3. FASTENERS: 7/8" A325 TYPE 3
 4. PAINT: NONE.
 5. DIMENSION ARE IN FEET & INCHES.
 6. GENERAL NOTES: SEE DRAWING GN1

BILL OF MATERIAL												
REV. NO.	SHIP MARK	PIECE MARK	QTY.	TYPE OF MATERIAL	SIZE OF MATERIAL	GRADE	LENGTH	FINISH	NOTES	WEIGHT		
		P1	4	PLATE	PL 1/4" X 12"	M270GR50W	2'-4"			95 LBS		
			144	H.S. BOLT	7/8"	A325 TYPE 3	2 1/4"					
			144	H.S. HEX NUTS	7/8"	A563 GR. DHS						
			144	WASHERS	7/8"	F436						
			120	H.S. BOLT	7/8"	A325 TYPE 3	2 3/4"					
			120	H.S. HEX NUTS	7/8"	A563 GR. DHS						
			120	WASHERS	7/8"	F436						
			192	H.S. BOLT	7/8"	A325 TYPE 3	3 3/4"					
			192	H.S. HEX NUTS	7/8"	A563 GR. DHS						
			192	WASHERS	7/8"	F436						



AS CORRECTED
DATE AND RESUBMIT
7/22/04
EBA

REVISIONS			ITEM NO: 506.50	
NO.	DATE	DESCRIPTION		
1	7/14/04	FOR APPROVAL	FRANK W. WHITCOMB CONSTRUCTION CORP.	
			CONTRACT: BHD 1442 (32)	
			CHURCH STREET (TH S) OVER WILLIAMS RIVER	
			BRIDGE NO. 11	
			CHESTER, VT	
			TITLE: BRIDGE FRAMING PLAN	
DRAWN BY: 4/27/04		SHOP ORDER: 5025	DWC NO: E-1	
DANA BACON			CLARENCE, NH 03443	
CHK BY: 7/15/04		BLOCK NO:	SHEET NO: 1 OF 1	
JH			02855	