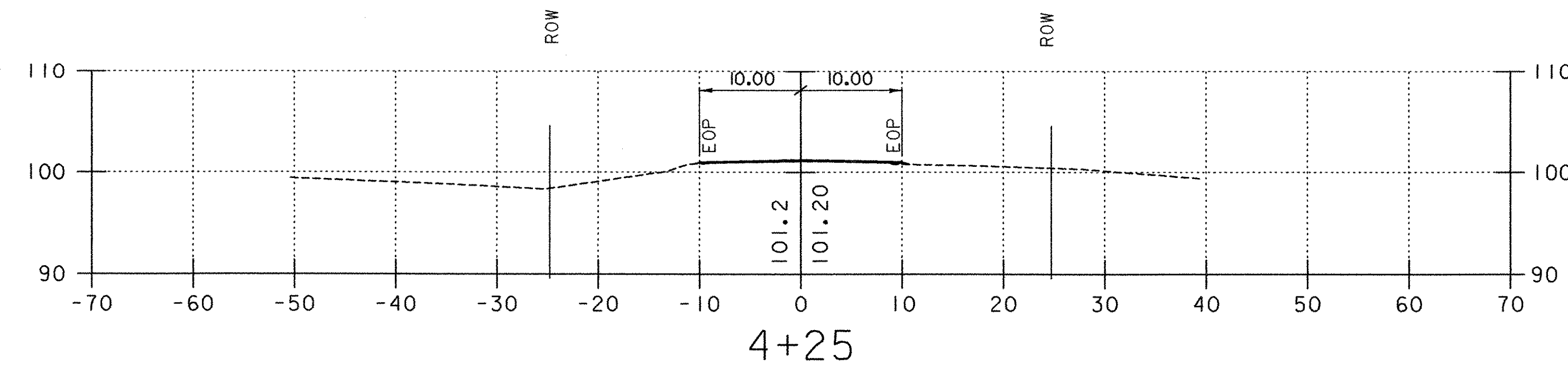
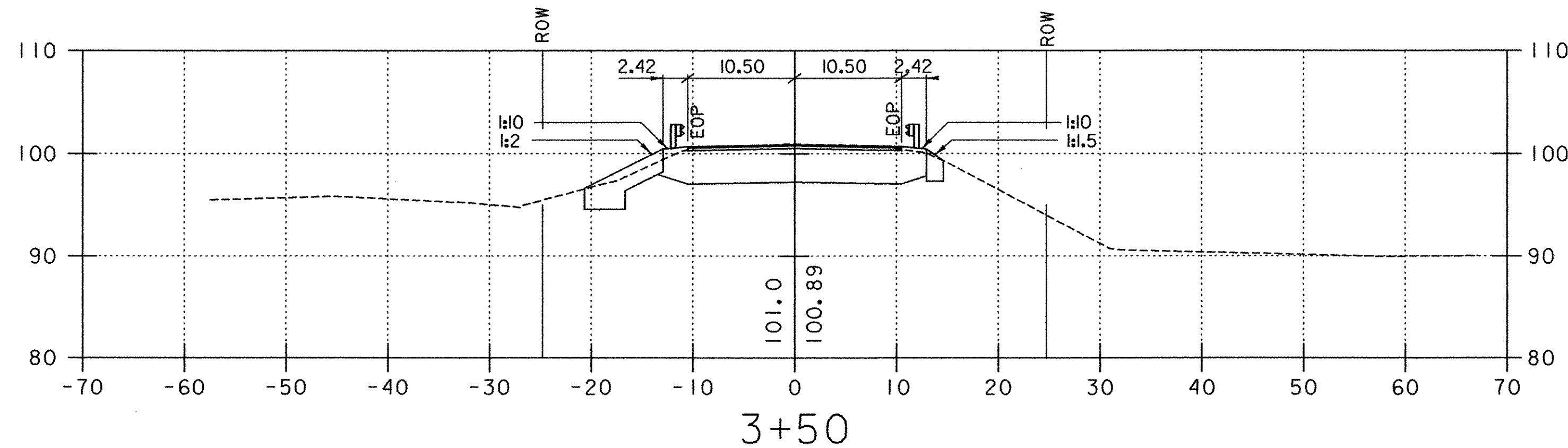


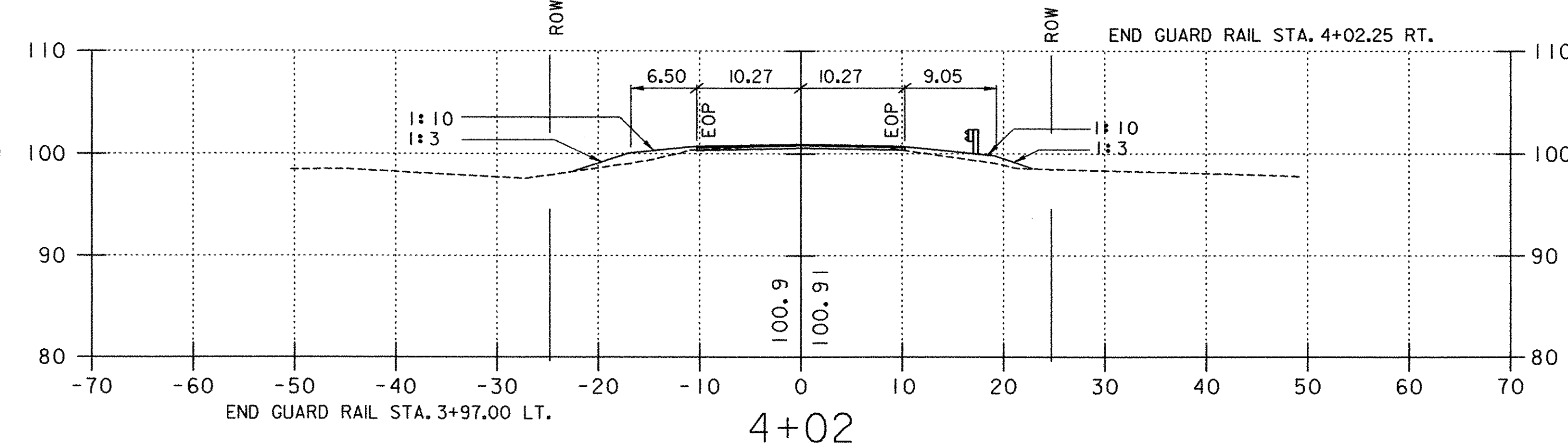
3+75



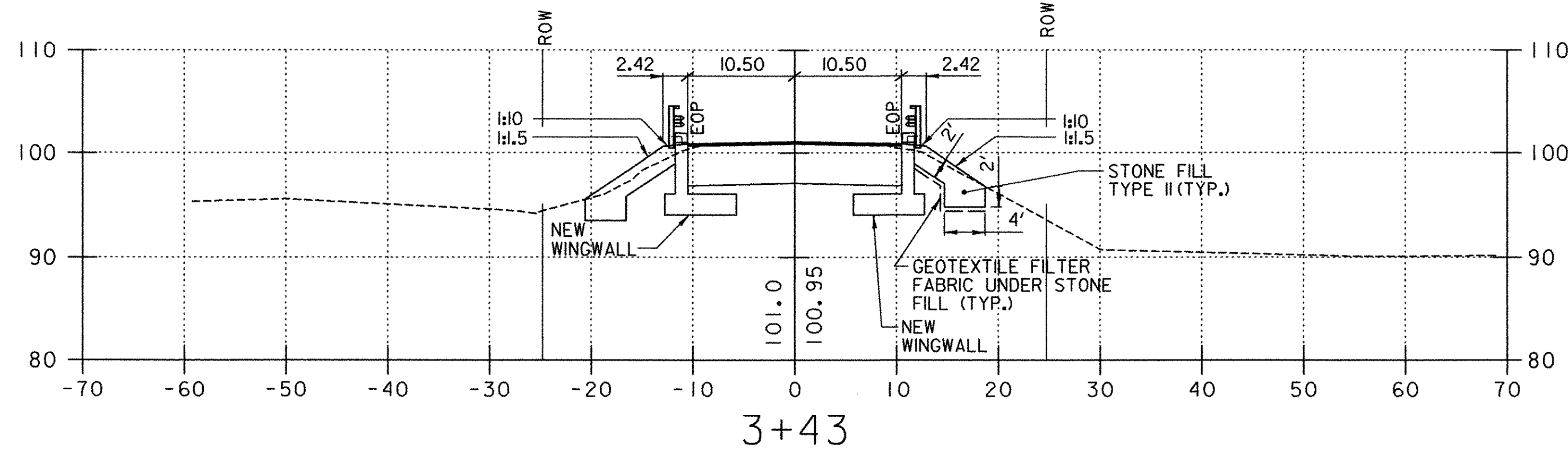
4+25



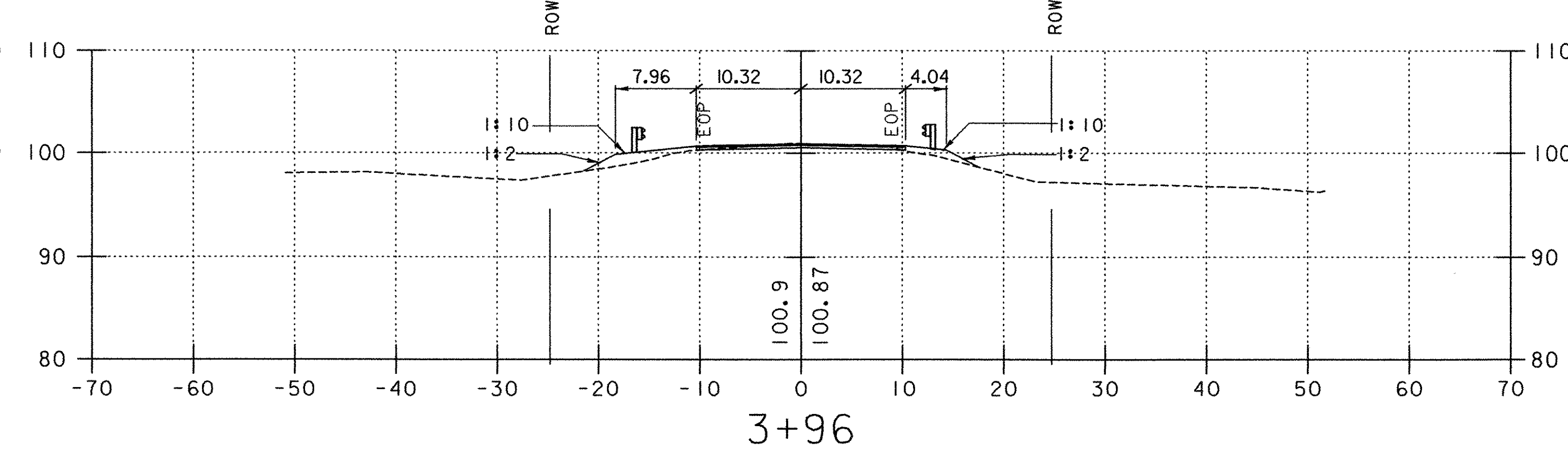
3+50



4+02



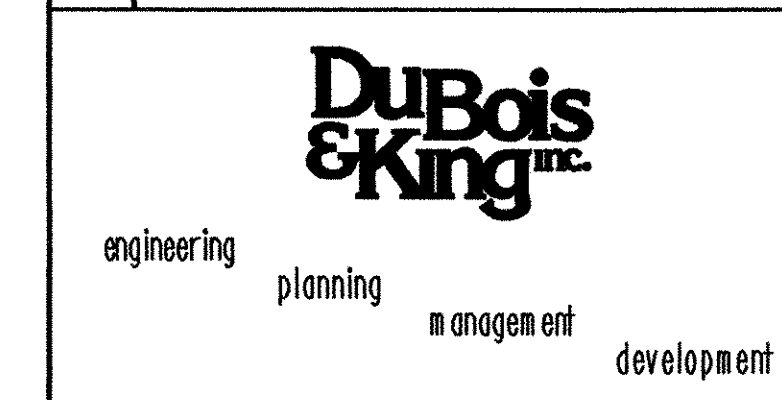
3+43



3+96

REVISIONS		
NO.	DESCRIPTION	BY & DATE

<b>STATE OF VERMONT AGENCY OF TRANSPORTATION</b>		
Town Of	CHESTER	Bridge No. 11
Highway No.	TH 5	Log Sta. - Surv. Sta. -
CHURCH STREET OVER WILLIAMS RIVER		



<b>ROADWAY CROSS SECTIONS</b>	
Designed By G. J. WOJCIECHOWSKI	Drawn By G. J. WOJCIECHOWSKI
Checked By J. TUCKER	Bridge Design Supervisor J. TUCKER
Date 03/01	Date 03/01
PROJECT CHESTER	PROJECT NO. BHO 1442 (32)
I.G.C. Info. ...zj3652l.dgn	
D & K DWG NO. 11365	Sheet 22 of 22

02/03/2004

E:\Projects\11365\11365.dgn 02/03/2004 08:35:34