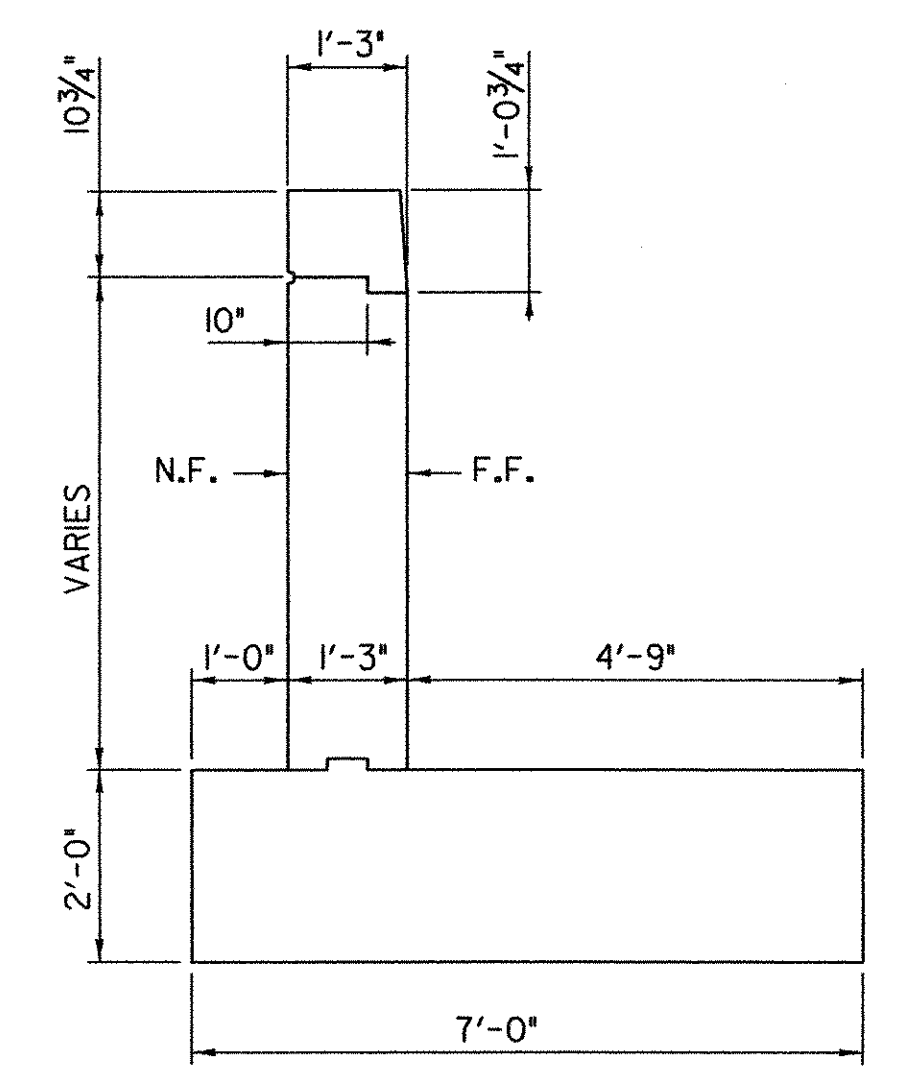
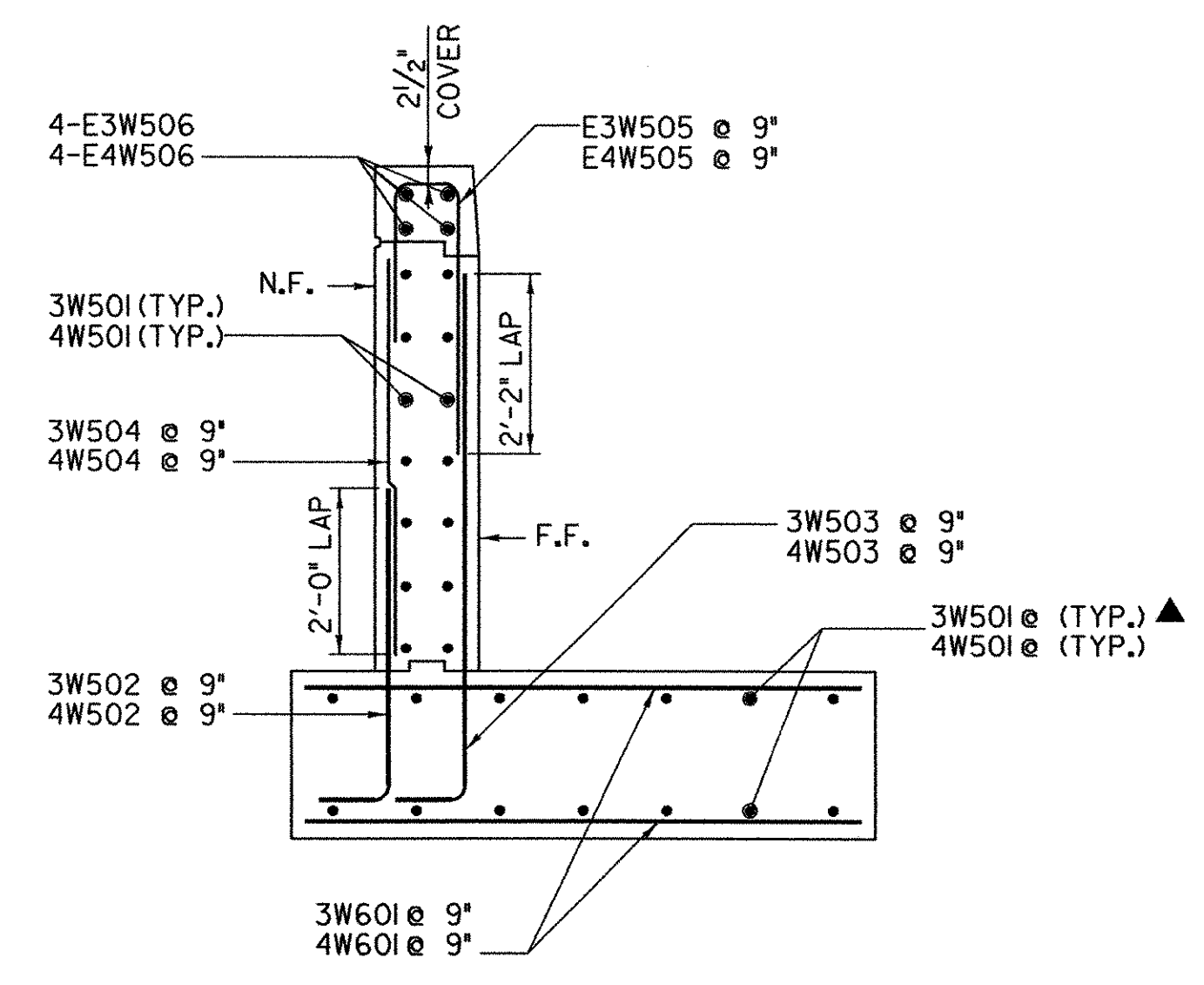


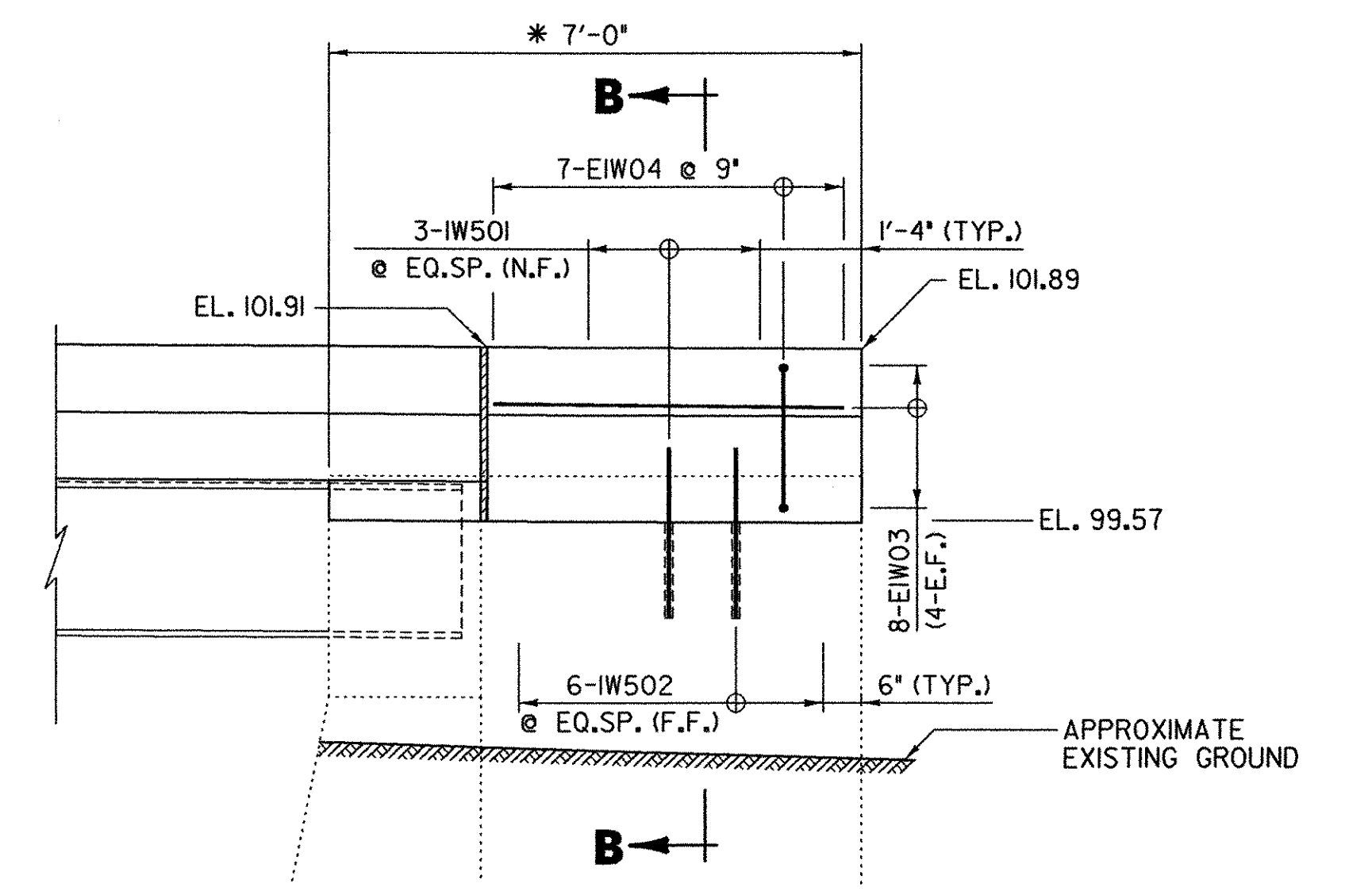
**ELEVATION WINGWALL NO. 3**  
SCALE 1/2" = 1'-0"  
0 1 2



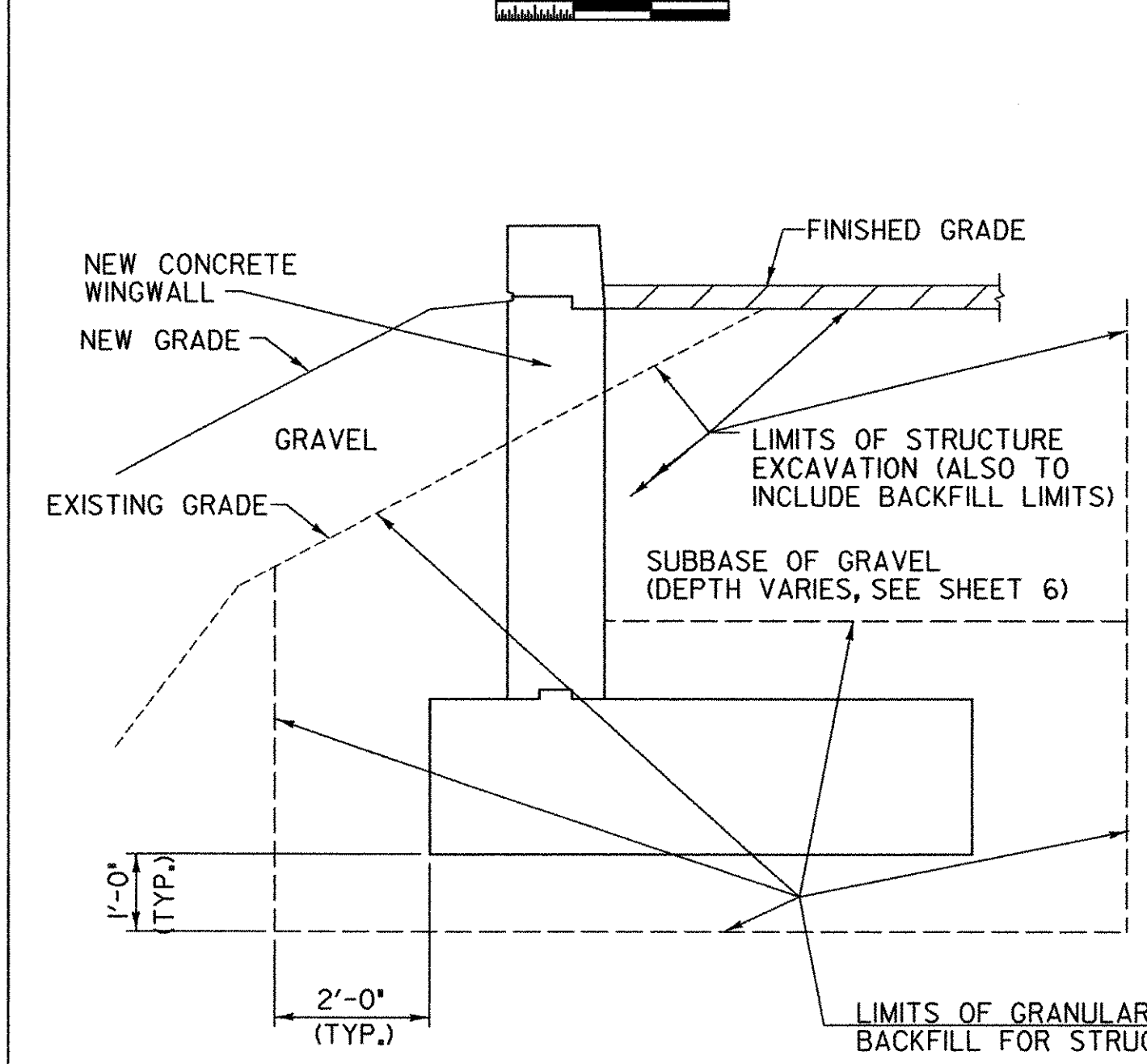
**SECTION A-A**  
SCALE 1/2" = 1'-0"  
0 1 2



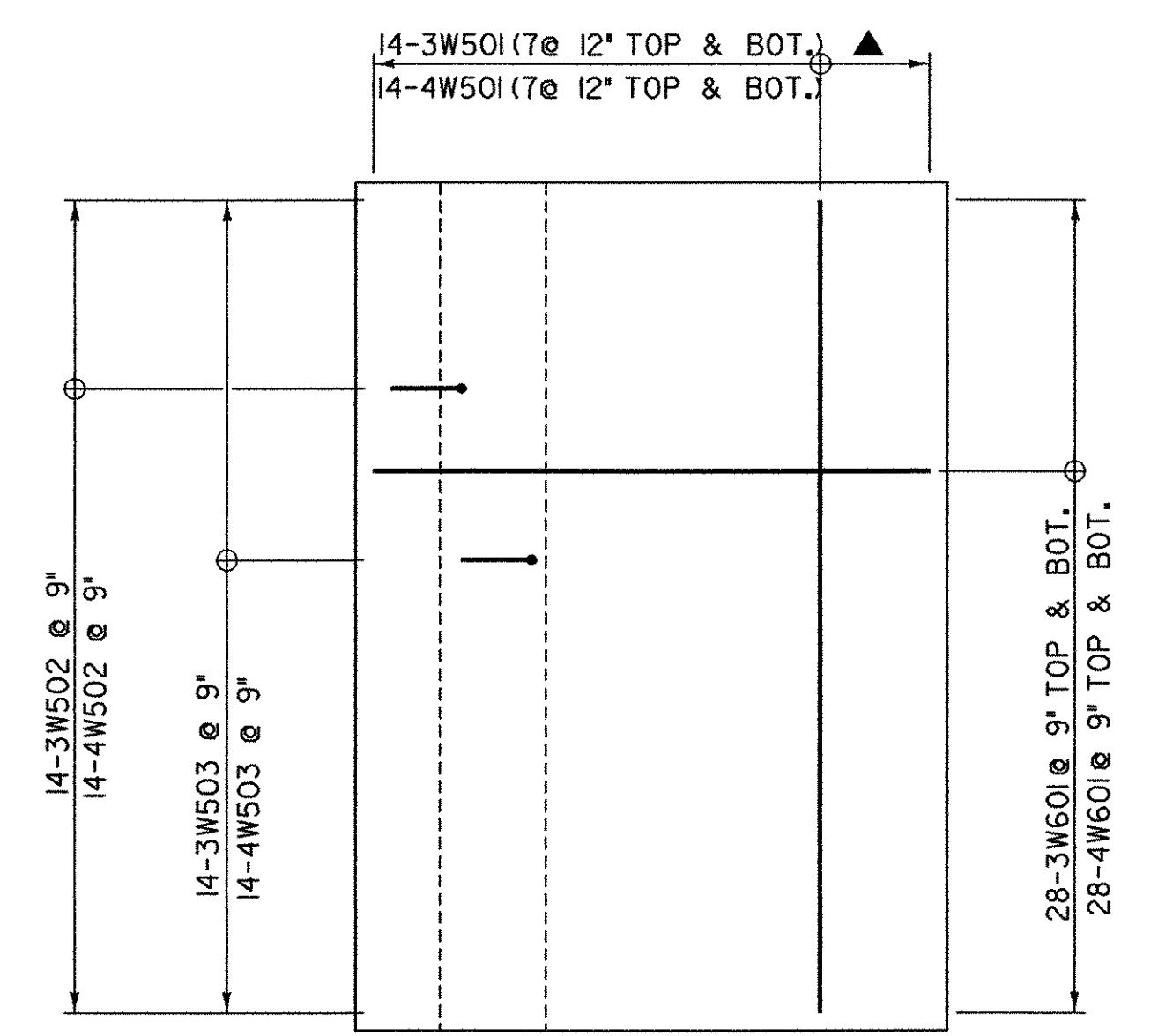
**SECTION A-A**  
SCALE 1/2" = 1'-0"  
0 1 2



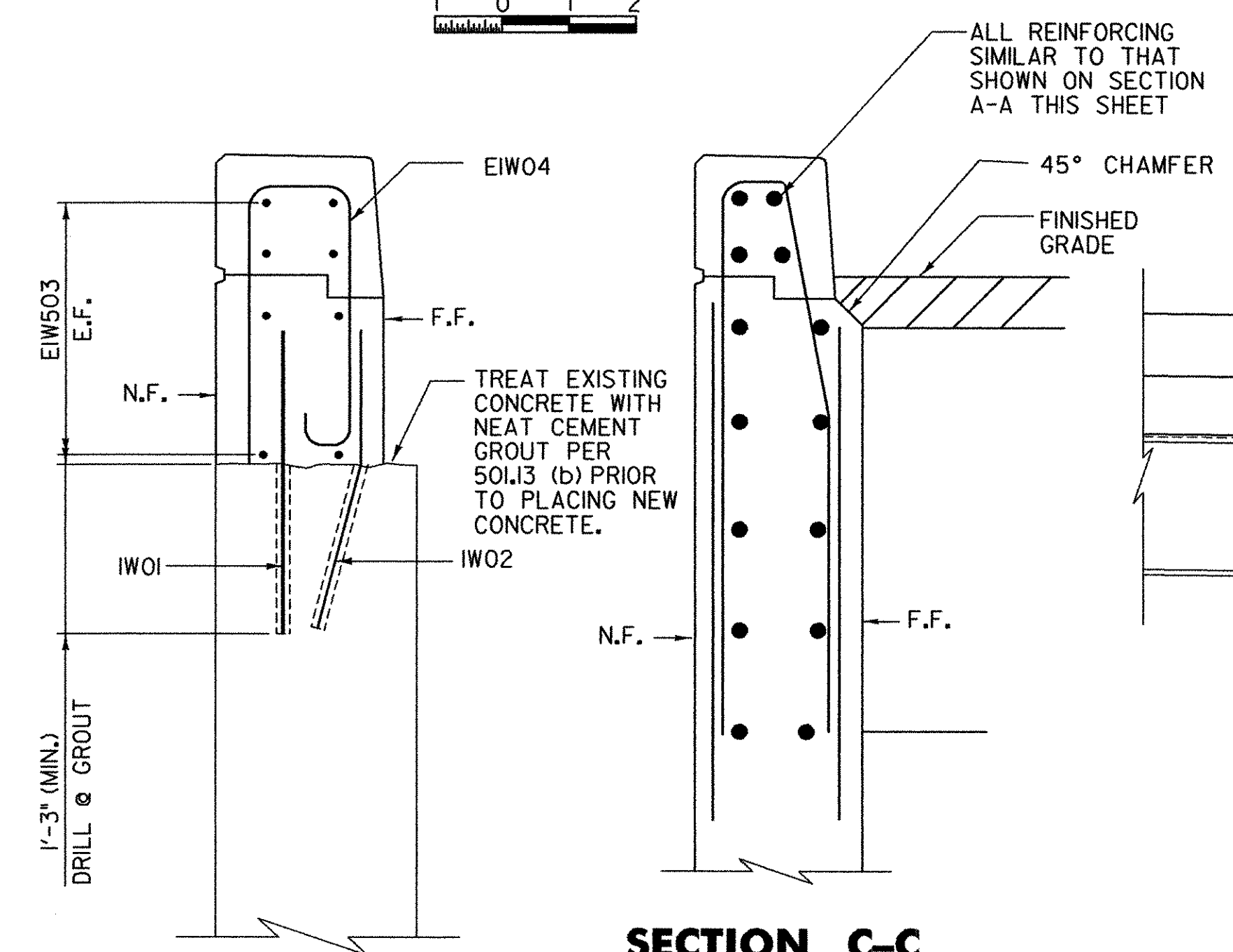
**ELEVATION WINGWALL NO. 1**  
SCALE 1/2" = 1'-0"  
0 1 2



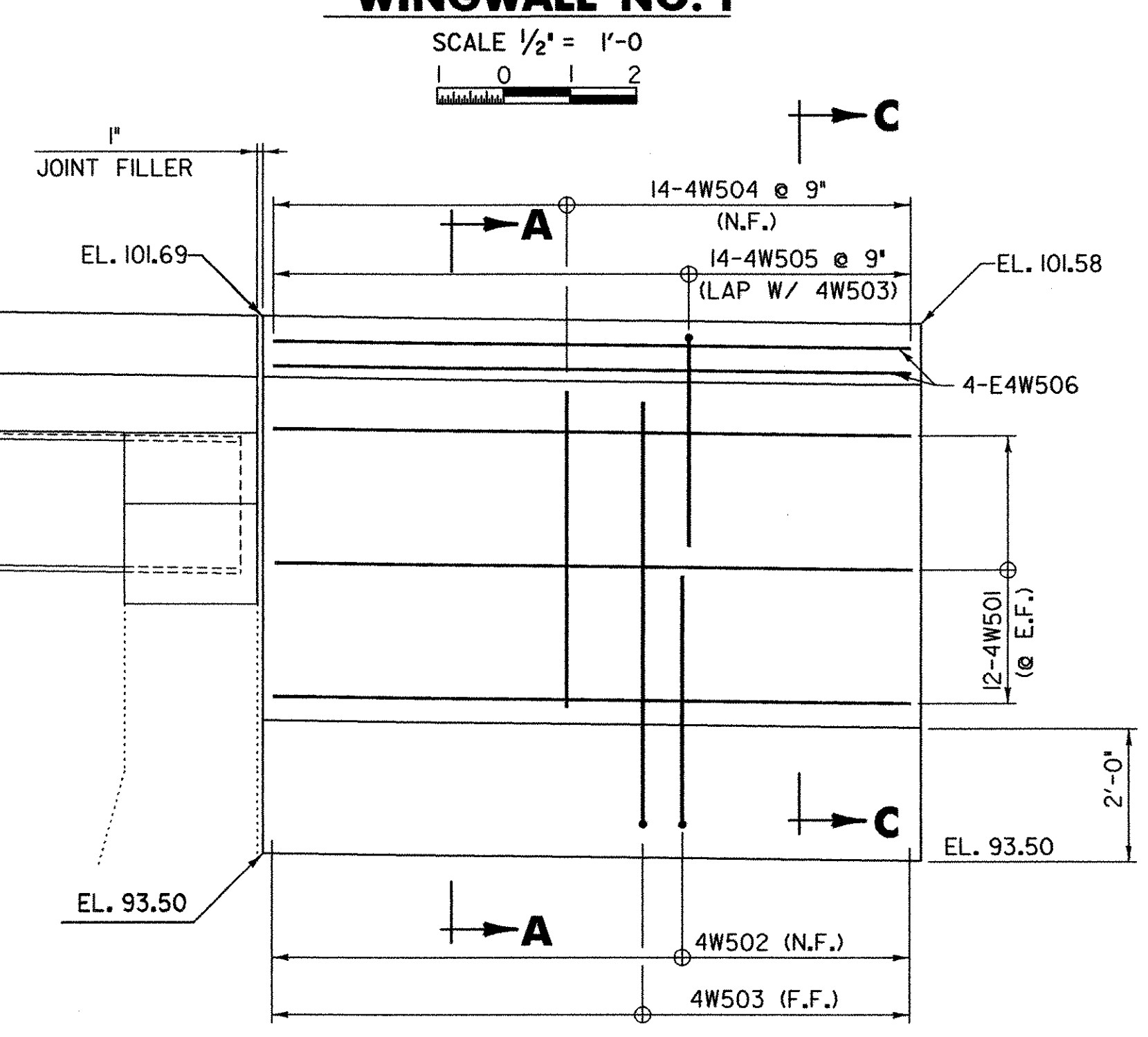
**TYPICAL WINGWALL EARTHWORK SECTION**  
SCALE 1/2" = 1'-0"  
0 1 2



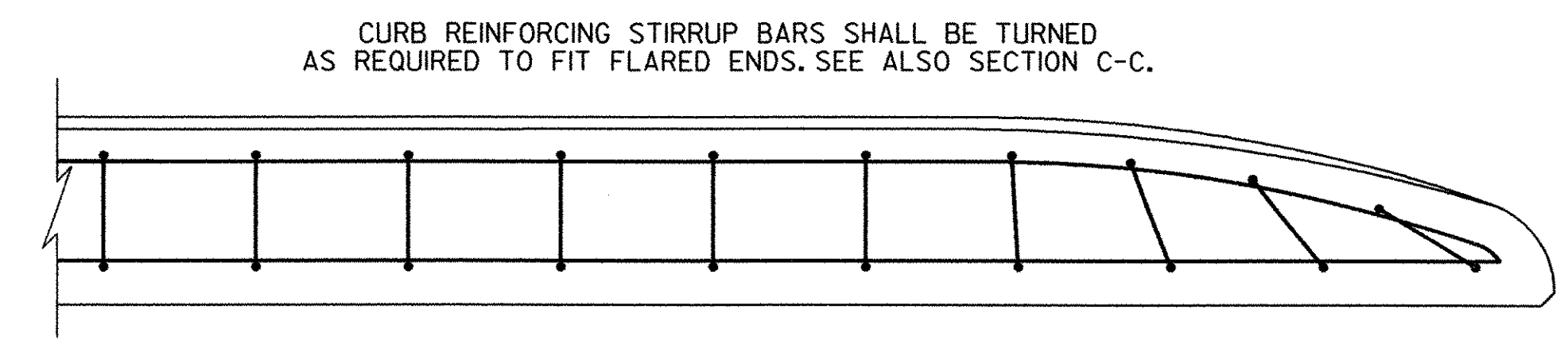
**FOOTING PLAN**  
SCALE 1/2" = 1'-0"  
0 1 2



**SECTION B-B**  
SCALE 1" = 1'-0"  
0 1 2



**ELEVATION WINGWALL NO. 4**  
SCALE 1/2" = 1'-0"  
0 1 2



**FLARED END DETAIL FOR 1'-3" CURB**  
SCALE 1" = 1'-0"  
0 1 2

\* - APPROXIMATE EXISTING ELEVATION OR DIMENSION  
F.F. - FAR FACE  
N.F. - NEAR FACE  
EQ.SP. - EQUAL SPACE

REVISIONS		
NO.	DESCRIPTION	BY & DATE

<b>STATE OF VERMONT AGENCY OF TRANSPORTATION</b>			
Town Of	CHESTER	Bridge No.	11
Highway No.	TH 5	Log Sta.	-
		Surv. Sta.	-
CHURCH STREET OVER WILLIAMS RIVER			

**DuBois & King**  
engineering planning management development

<b>WINGWALL DETAILS</b>			
Designed By	B. C. AUSTIN	Drawn By	G. J. WOJCIECHOWSKI
Checked By	J. TUCKER	Date	03/01
		Bridge Design Supervisor	J. TUCKER
		Date	03/01
PROJECT	CHESTER	PROJECT NO.	BHO 1442 (32)
I.G.C. Info.	...zj365dl8.dgn		
D & K DWG NO.	11361	Sheet	18 of 22