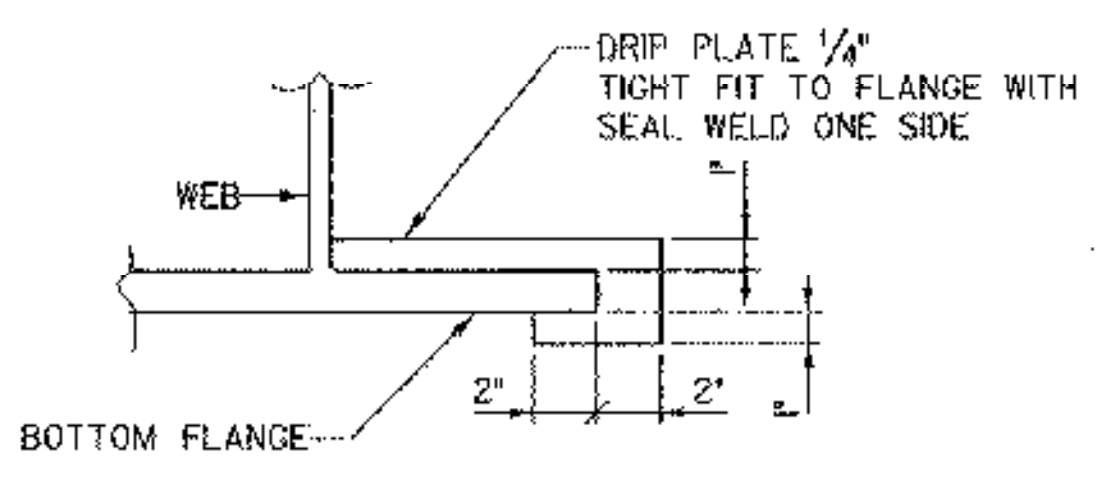
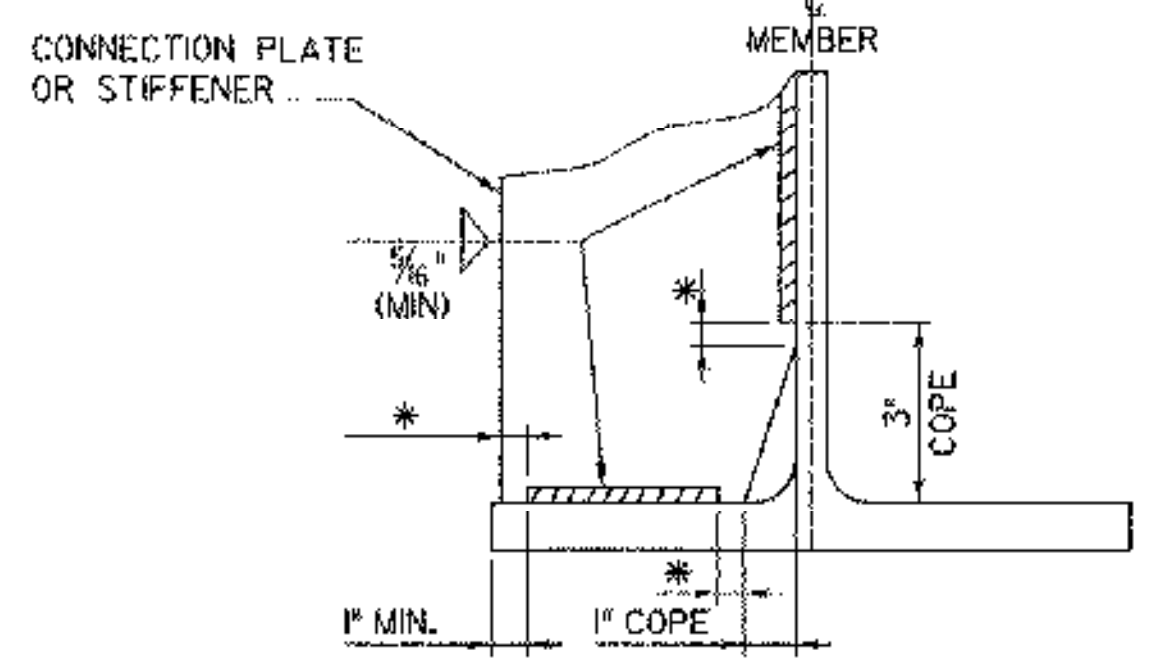


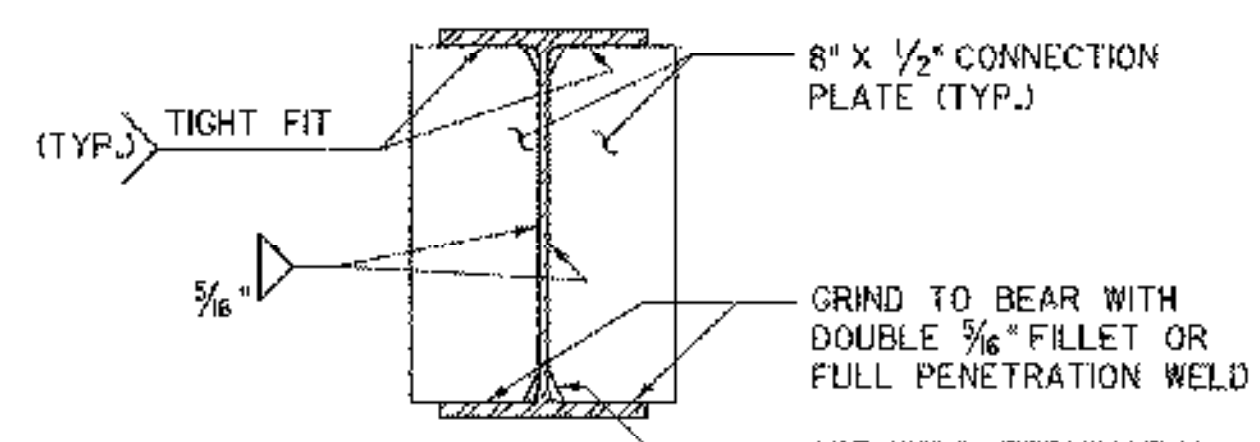
DRIP PLATE DETAIL
N.T.S.



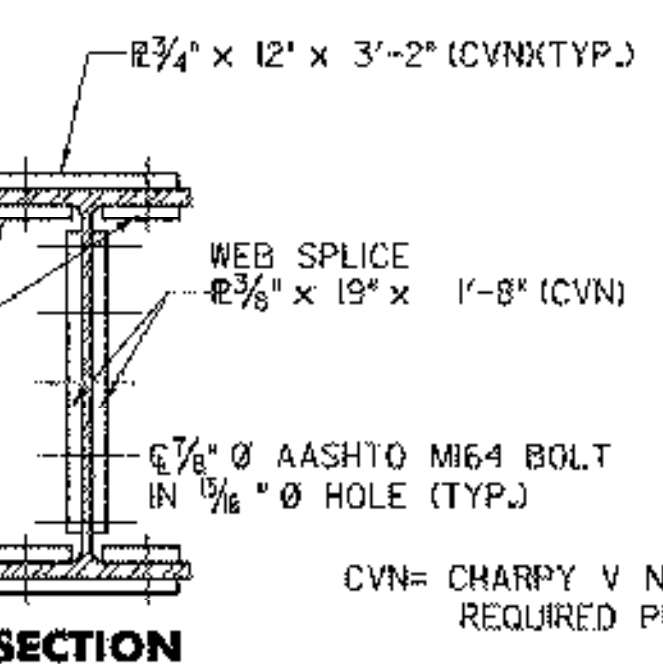
SECTION A - A



WELD TERMINATION AND COPING DETAILS FOR STEEL BEAMS
N.T.S.

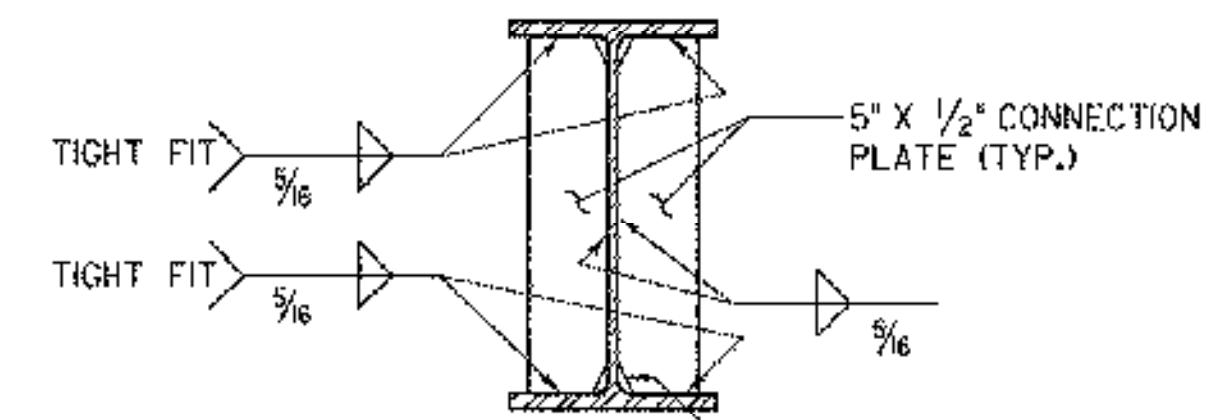


PIER CONNECTION PLATE DETAIL
SCALE 1" = 1'-0"



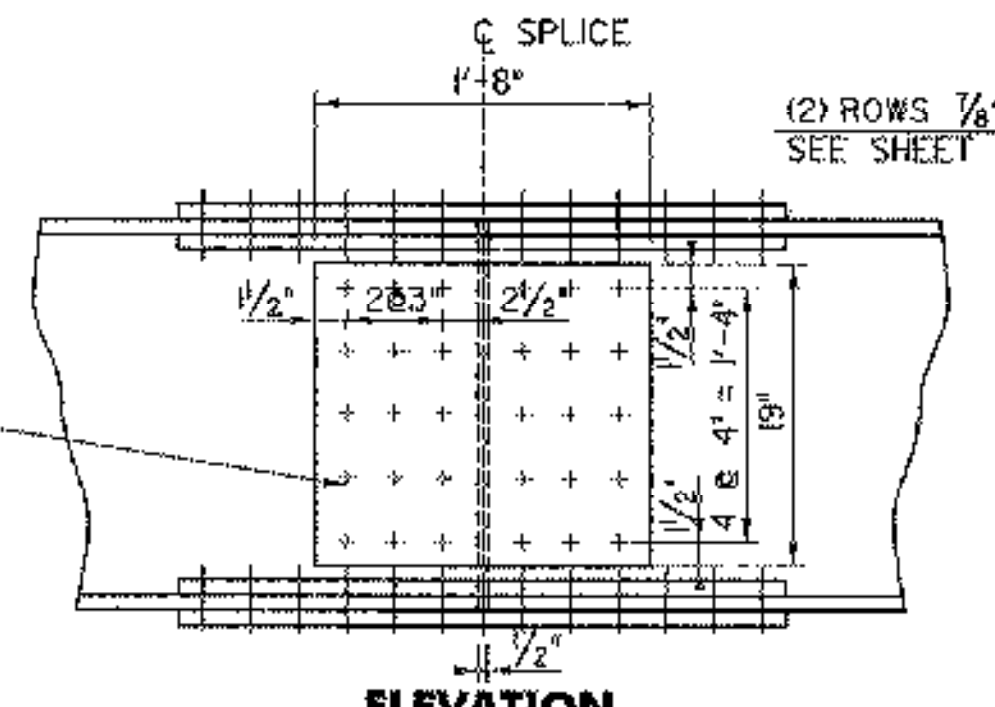
SECTION

SPlice DETAILS
SCALE 1" = 1'-0"

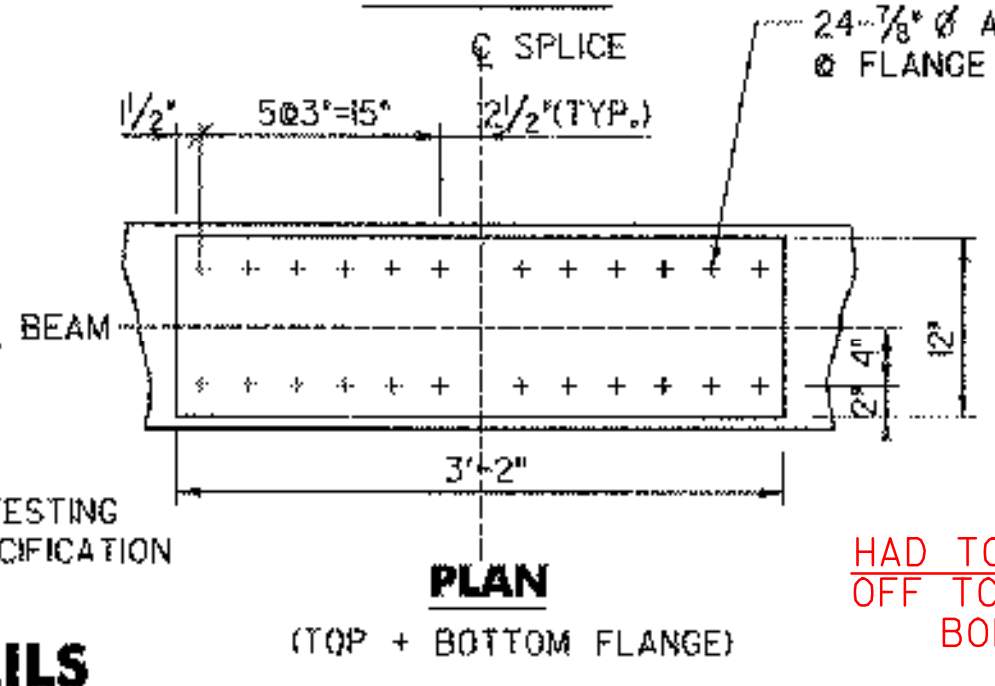


CONNECTION PLATE DETAIL
SCALE 1" = 1'-0"

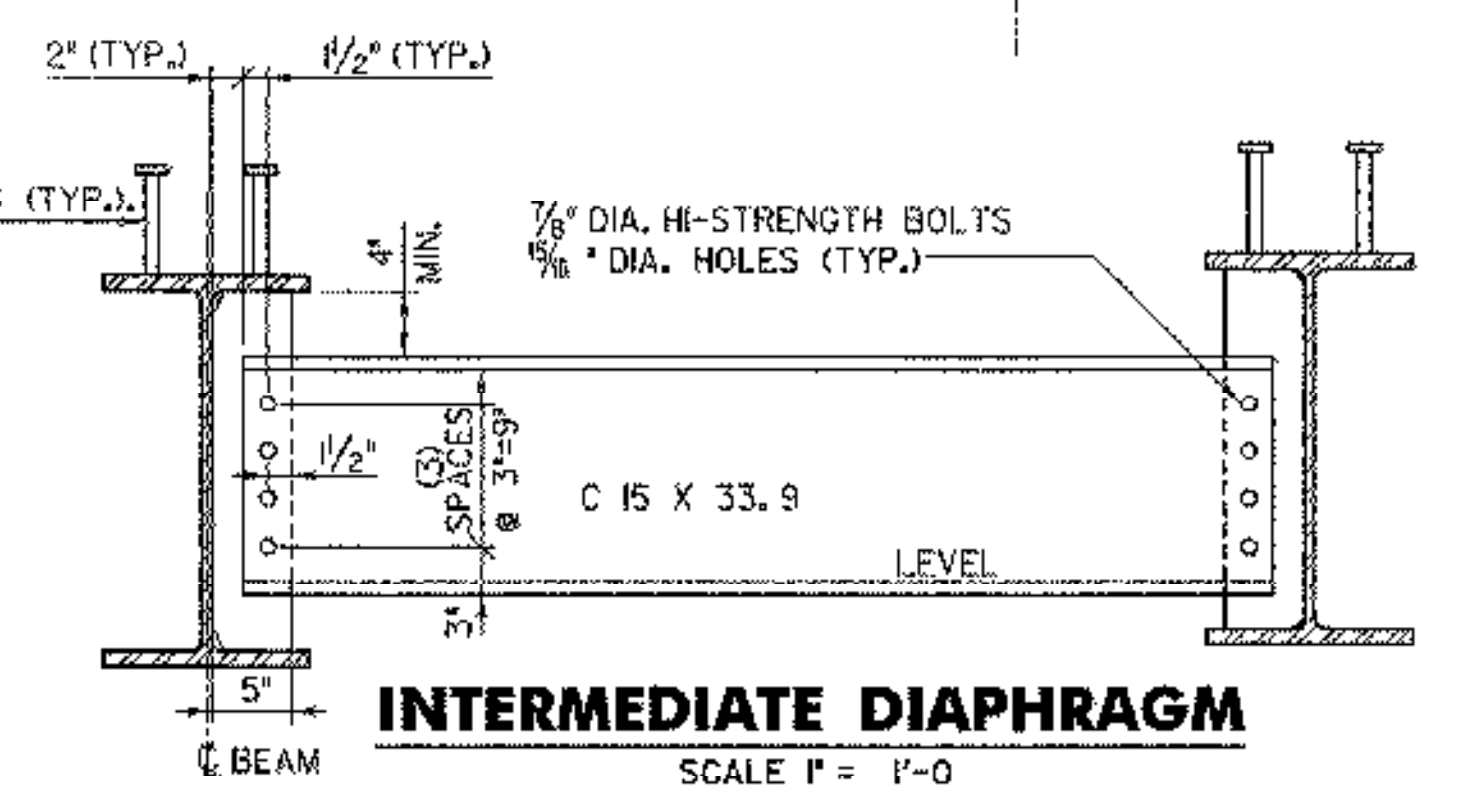
FRAMING PLAN
SCALE 1/4" = 1'-0"



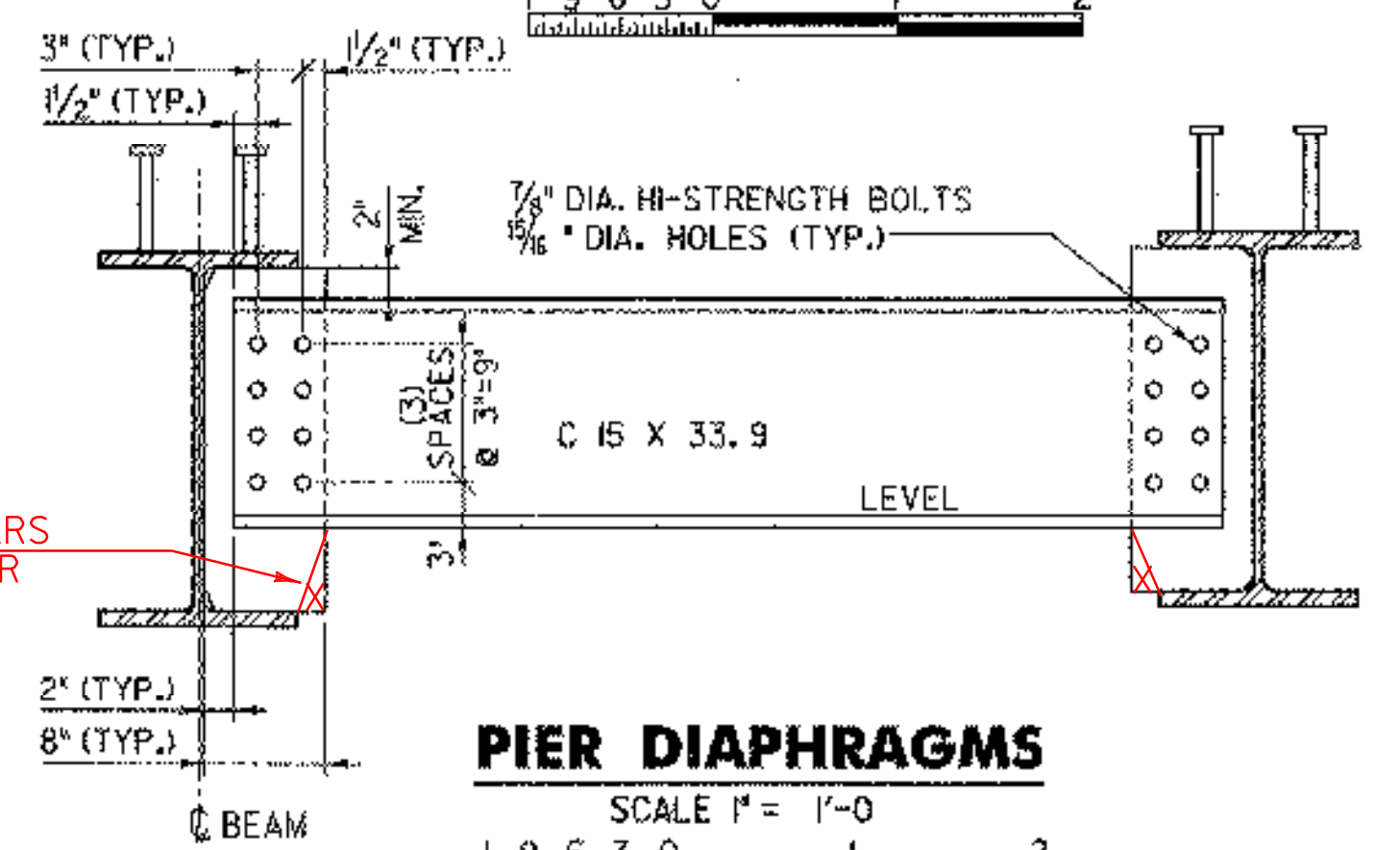
ELEVATION



PLAN (TOP + BOTTOM FLANGE)



INTERMEDIATE DIAPHRAGM
SCALE 1" = 1'-0"



PIER DIAPHRAGMS
SCALE 1" = 1'-0"

| REVISIONS | | |
|-----------|-------------|-----------|
| NO. | DESCRIPTION | BY & DATE |
| | | |

| | | |
|--|-----------|----------------|
| STATE OF VERMONT AGENCY OF TRANSPORTATION | | |
| Town Of | CHESTER | Bridge No. |
| Highway No. | TH 5 | Log Sta. |
| CHURCH STREET OVER WILLIAMS RIVER | | Surv. Sta. |
| FRAMING PLAN & DETAILS | | |
| Designed By | R. L. JOY | Drawn By |
| Checked By | J. TUCKER | Date |
| PROJECT | | PROJECT NO. |
| CHESTER | | BHO 1442 (32) |
| I.D.C. Info. ...zj365d14.dgn | | |
| D & K DWG NO. | I357 | Sheet 14 of 22 |

DuBois & King
engineering planning management development

02/03/2004